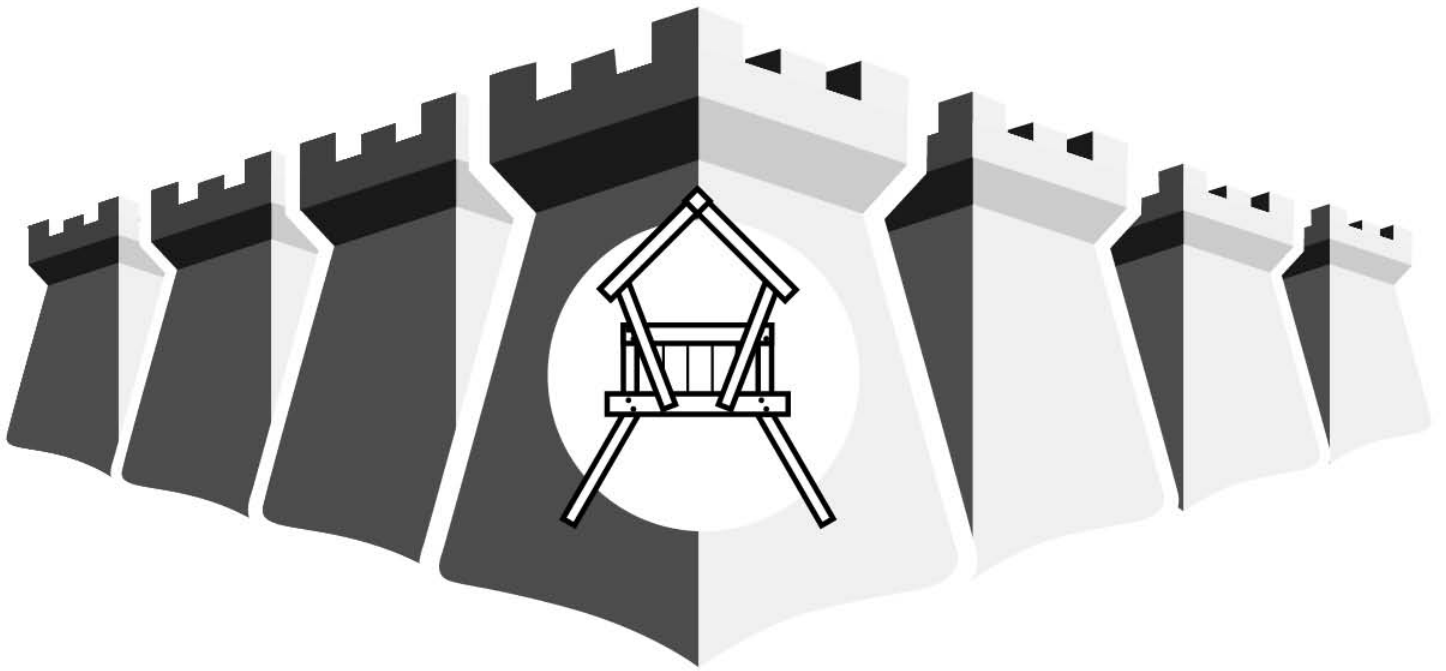


Assembly

Q Series

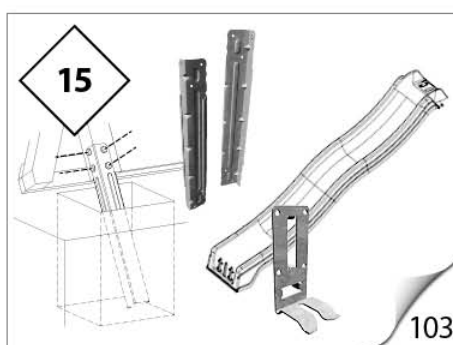
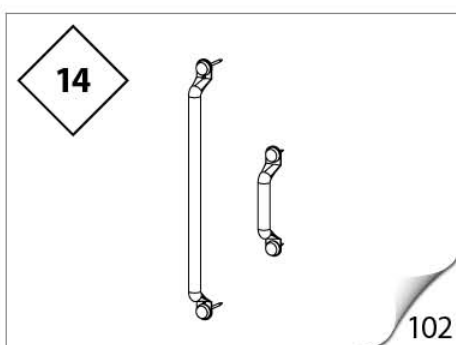
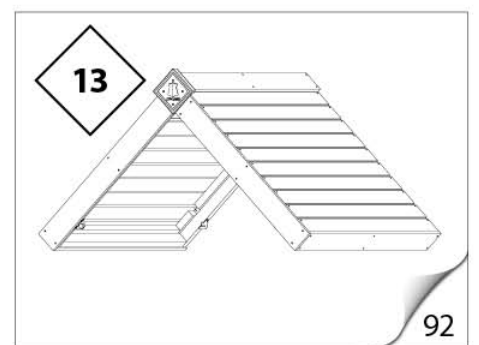
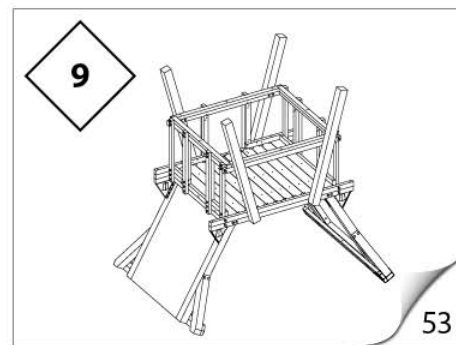
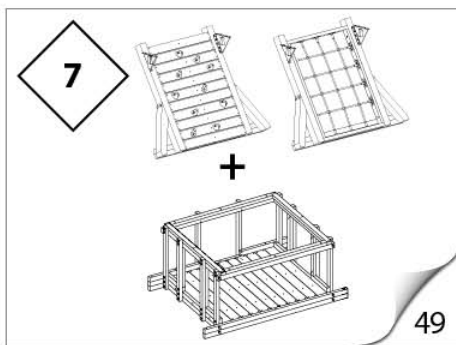
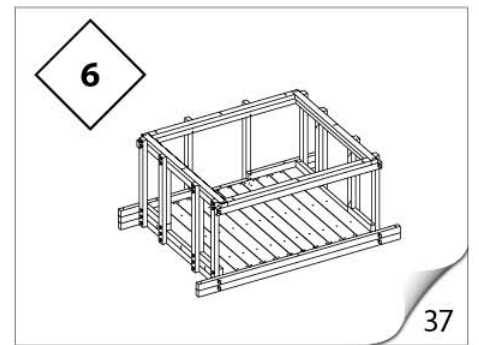
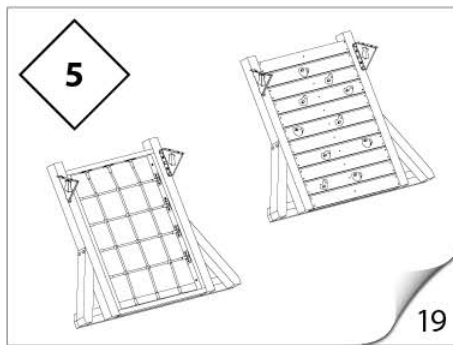
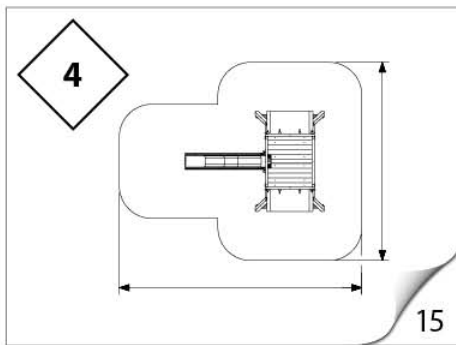
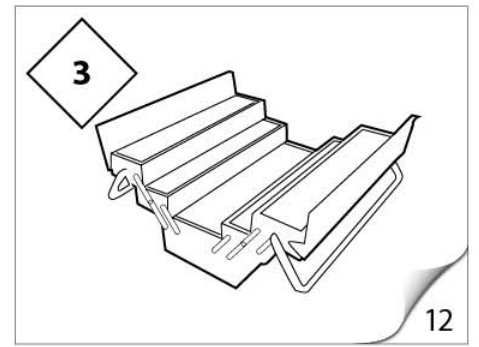
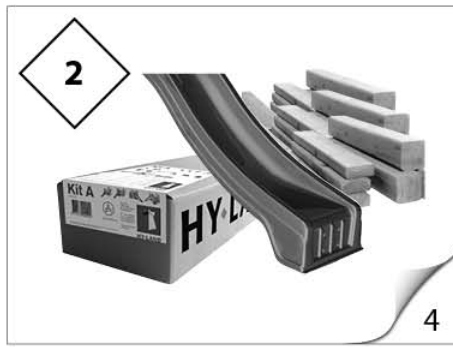
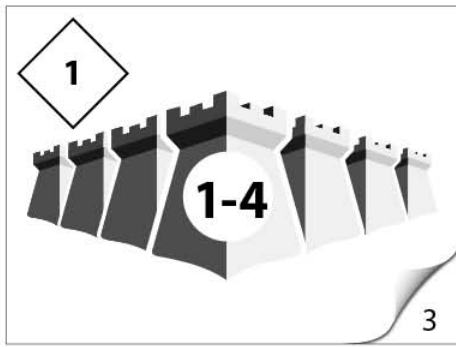


www.tuv.com
ID 000055715



Owner's Manual

Assembly steps



1

Q1



1x

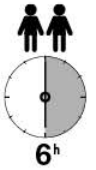


1x



1x

+



1x



1x



± 0,42 m³

Q2



1x



1x



1x



1x

+



1x



1x



± 0,66 m³

Q3



1x



2x



2x



1x

+



1x

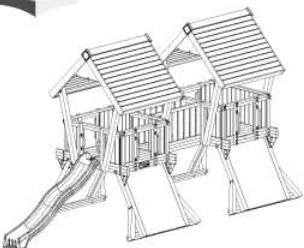


1x



± 1.03 m³

Q4



1x



2x

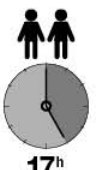


2x



1x

+



2x



2x



1x



± 1,42 m³

2.1a

Content Q-Start

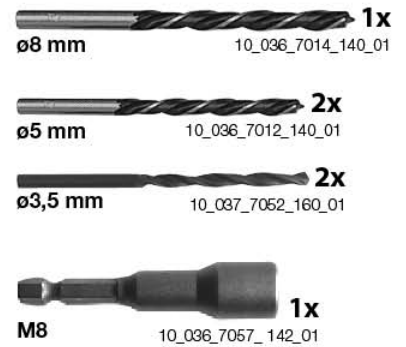
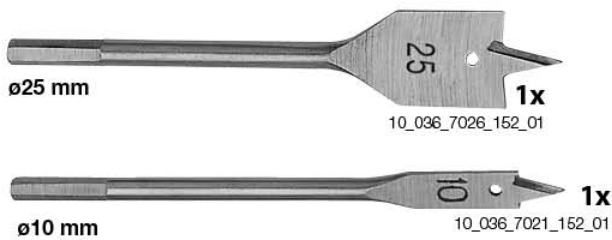
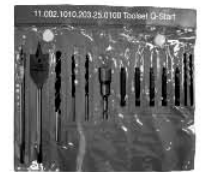
14_303_101_15



 <p>1x 10_209_2071_103_24</p>		 <p>1x 10_467_3040_202_26</p>	
 <p>1x 10_030_5042_116_04</p>	 <p>1x 10_209_2031_105_06</p>	 <p>2x 11_003_3030_101_06</p>	 <p>1x 11_001_1030_105_25</p>
 <p>1x 10_030_5042_216_04</p>	 <p>1x 10_209_2031_105_06</p>	 <p>2x 11_003_3030_101_06</p>	 <p>1x 11_001_1030_105_25</p>
 <p>1x 10_032_5013_425_01</p>	 <p>6x 10_032_5012_425_01</p>	 <p>6x 10_032_5013_225_01</p>	 <p>1x 11_002_1010_203_25</p>
 <p>2x 10_030_5071_110_01</p>	 <p>6x 10_032_5012_425_01</p>	 <p>6x 10_032_5013_225_01</p>	 <p>1x 10_026_5041_215_01</p>
 <p>2x 10_030_5071_110_01</p>	 <p>6x 10_032_5012_425_01</p>	 <p>6x 10_032_5013_225_01</p>	 <p>10x 10_205_2030_000_04</p>
 <p>1x 11_002_1010_404_25</p>		 <p>3x 10_205_2030_000_04</p>	

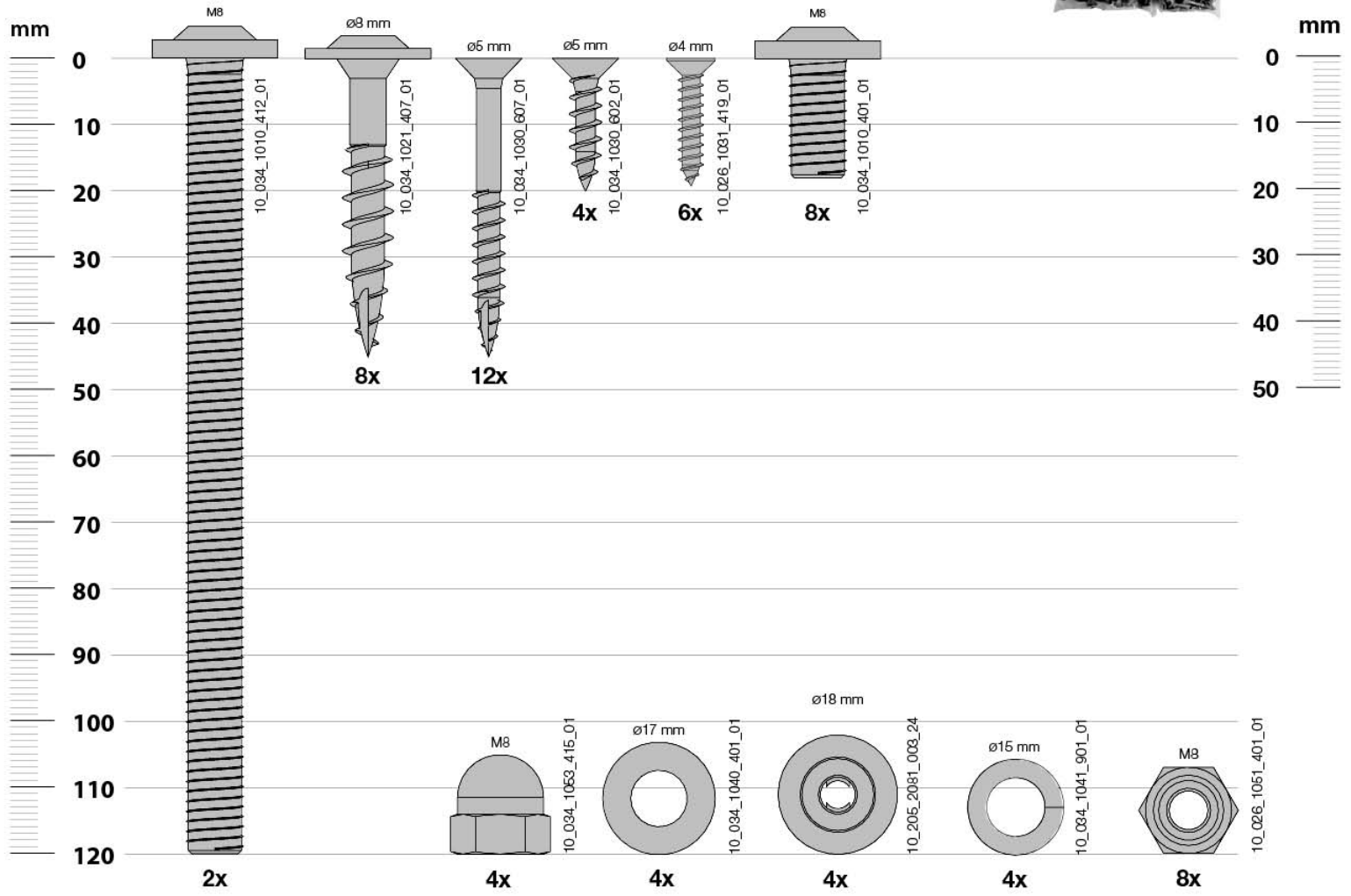
Tools

11_002_1010_203_25



Hardware


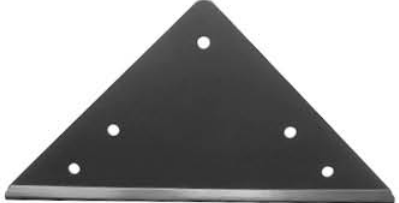


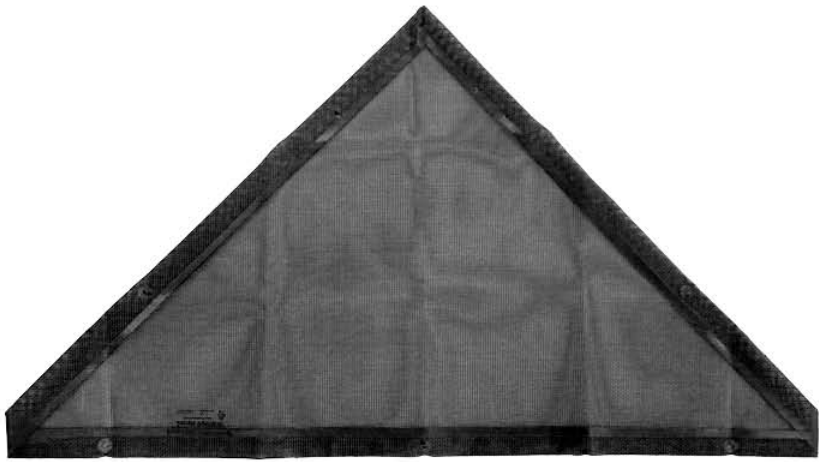


11_001_1030_105_25





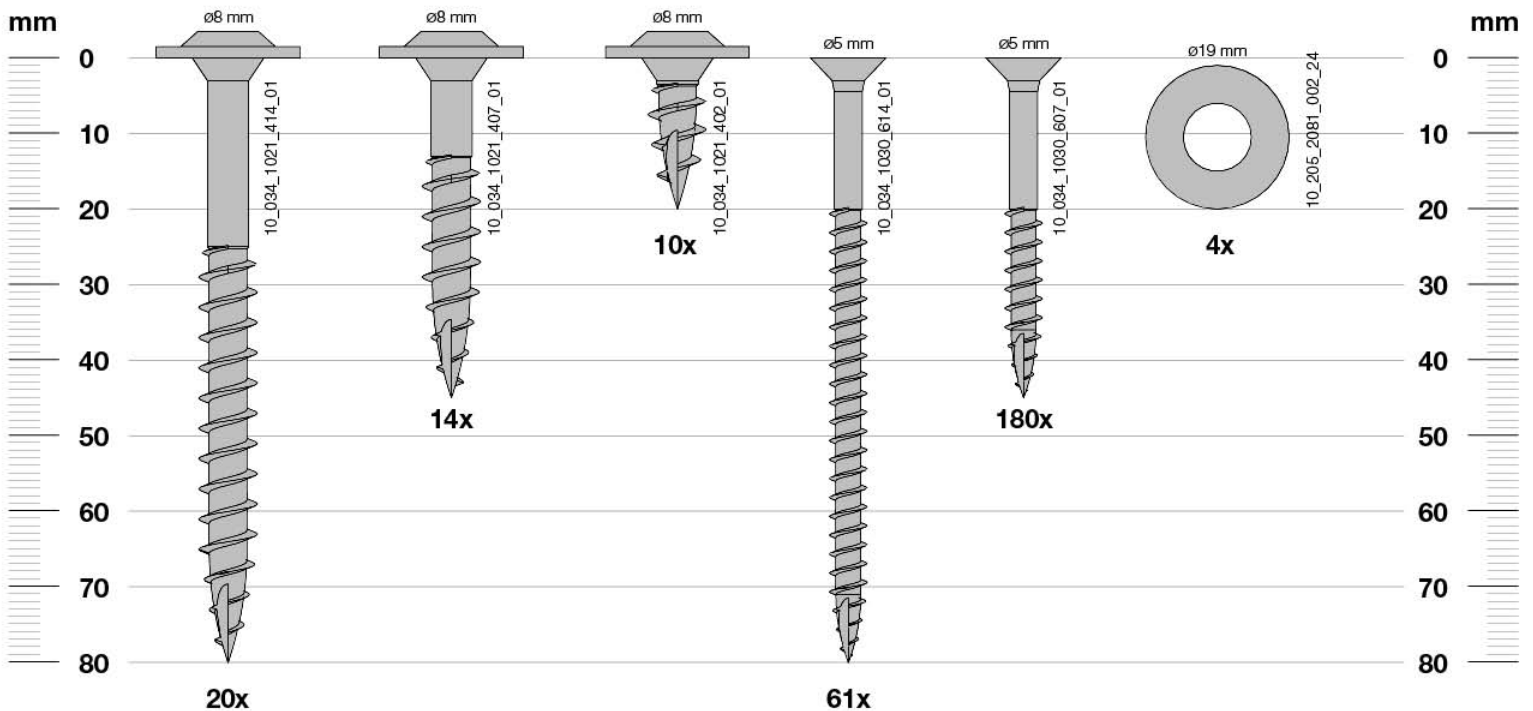
Content Q-Roof

14_001_101_30

 <p>1x 10_467_3010_404_26</p>		 <p>2x 10_030_5011_001_04</p>
 <p>2x 10_201_2075_405_04</p>	 <p>20x 10_205_2030_000_04</p>	 <p>2x 11_203_1051_101_04</p>
 <p>4x 10_030_5010_000_04</p>	 <p>1x 11_001_1010_420_25</p>	

Hardware




11_001_1010_420_25





Content Q-Box

14_001_101_15

 <p>56x 10_205_2030_000_04</p> <p>1x 11_207_1010_601_04</p>	 <p>1x 10_467_3010_401_26</p>  <p>1x 11_001_1010_405_25</p>
--	---



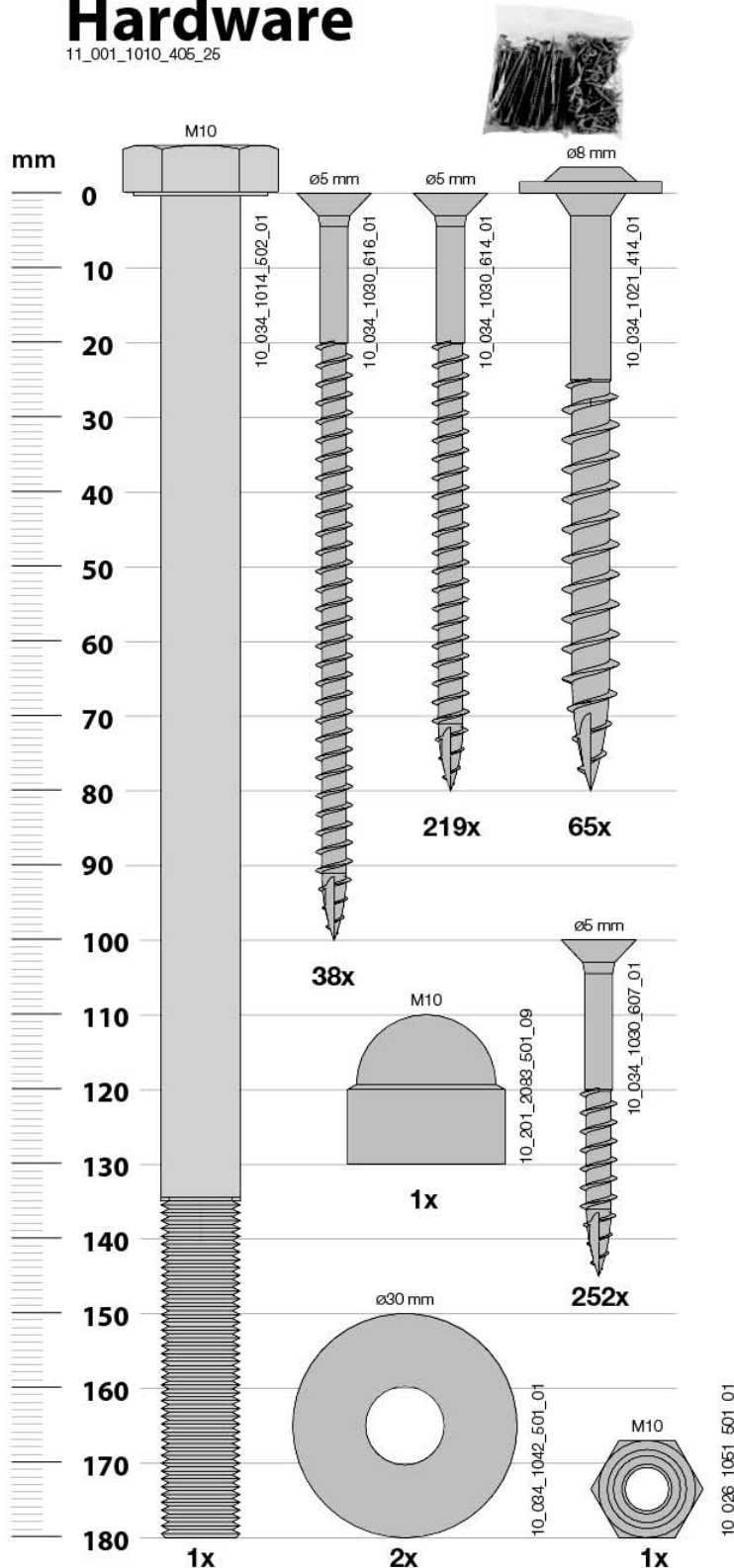
Content Q-Bridge

14_001_101_35

 <p>1x 10_467_3010_405_26</p>	 <p>1x 11_001_1010_425_25</p>
---	---

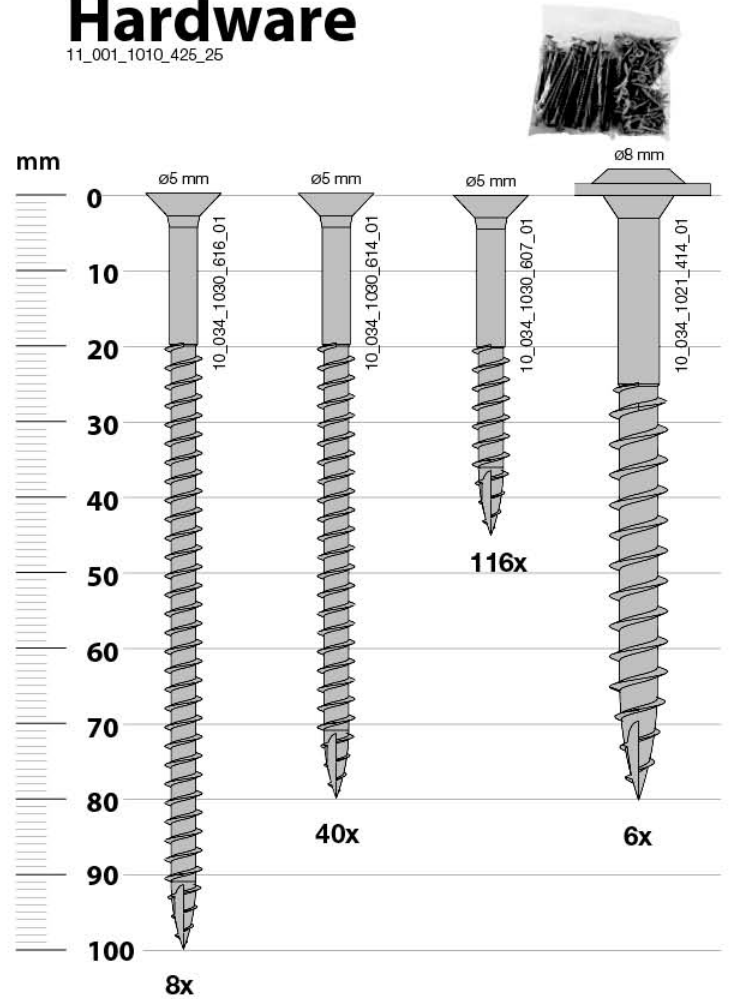
Hardware

11_001_1010_405_25



Hardware

11_001_1010_425_25



2.1e

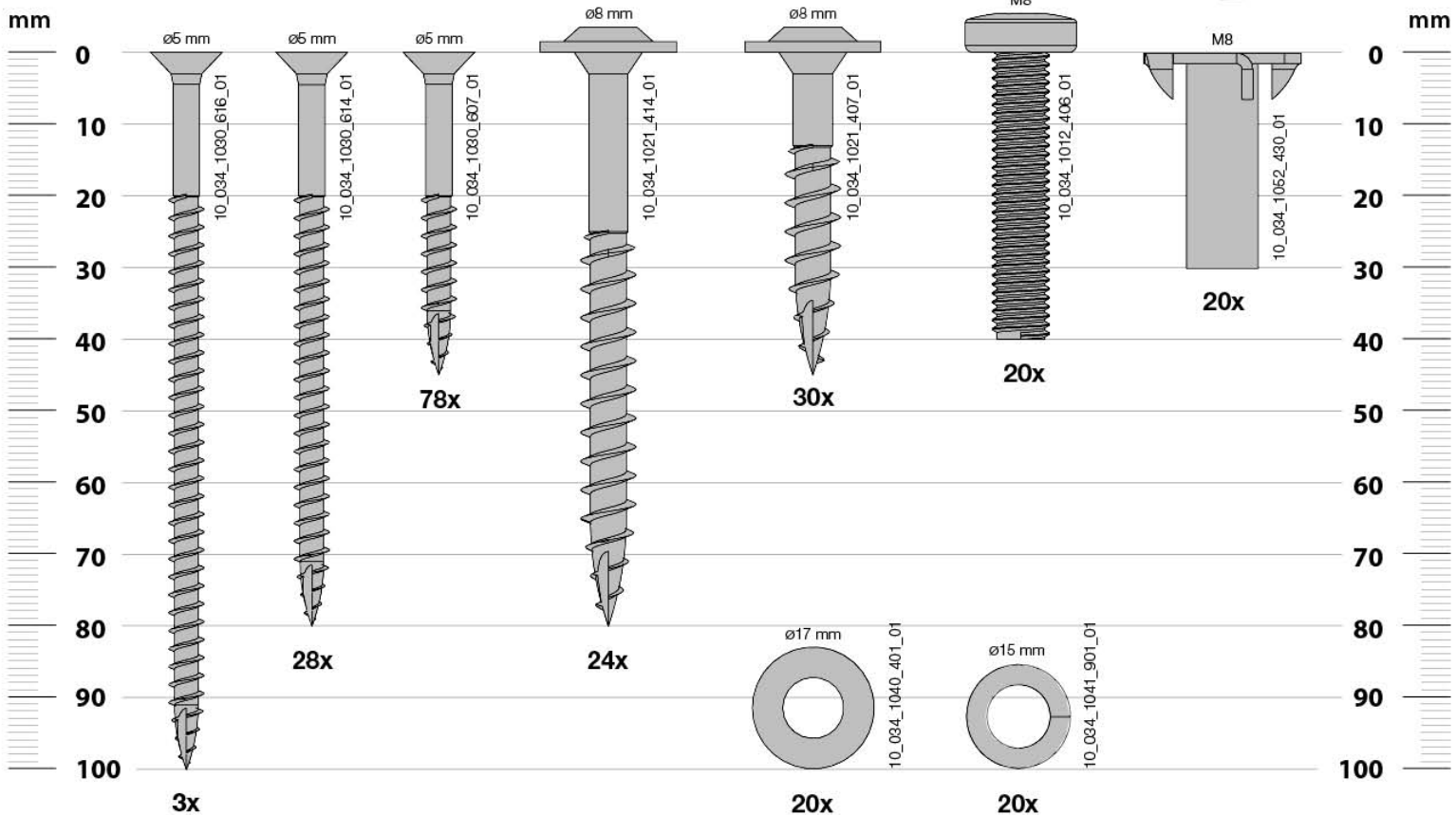
Content Q-Rock

14_001_101_20

 <p>1x 10_467_3010_402_26</p>		 <p>2x 11_003_3030_202_06</p>		
 <p>1x 10_030_5051_125_04</p>	 <p>1x 10_030_5051_225_04</p>	 <p>1x 10_030_5051_230_04</p>	 <p>1x 10_030_5051_130_04</p>	 <p>1x 11_001_1010_410_25</p>
 <p>3x 10_217_2050_300_04</p>	 <p>3x 10_217_2050_200_04</p>	 <p>4x 10_217_2050_100_04</p>	 <p>36x 10_205_2030_000_04</p>	 <p>1x 11_207_1010_401_04</p>

Hardware



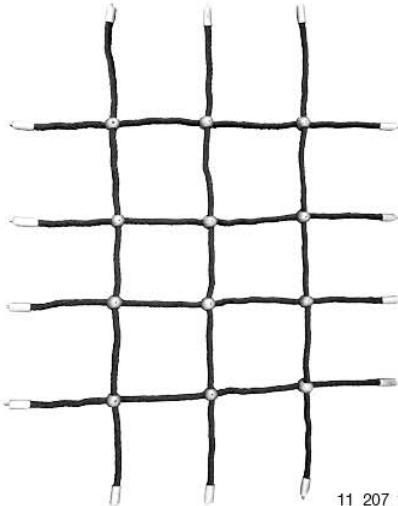







11_001_1010_410_25





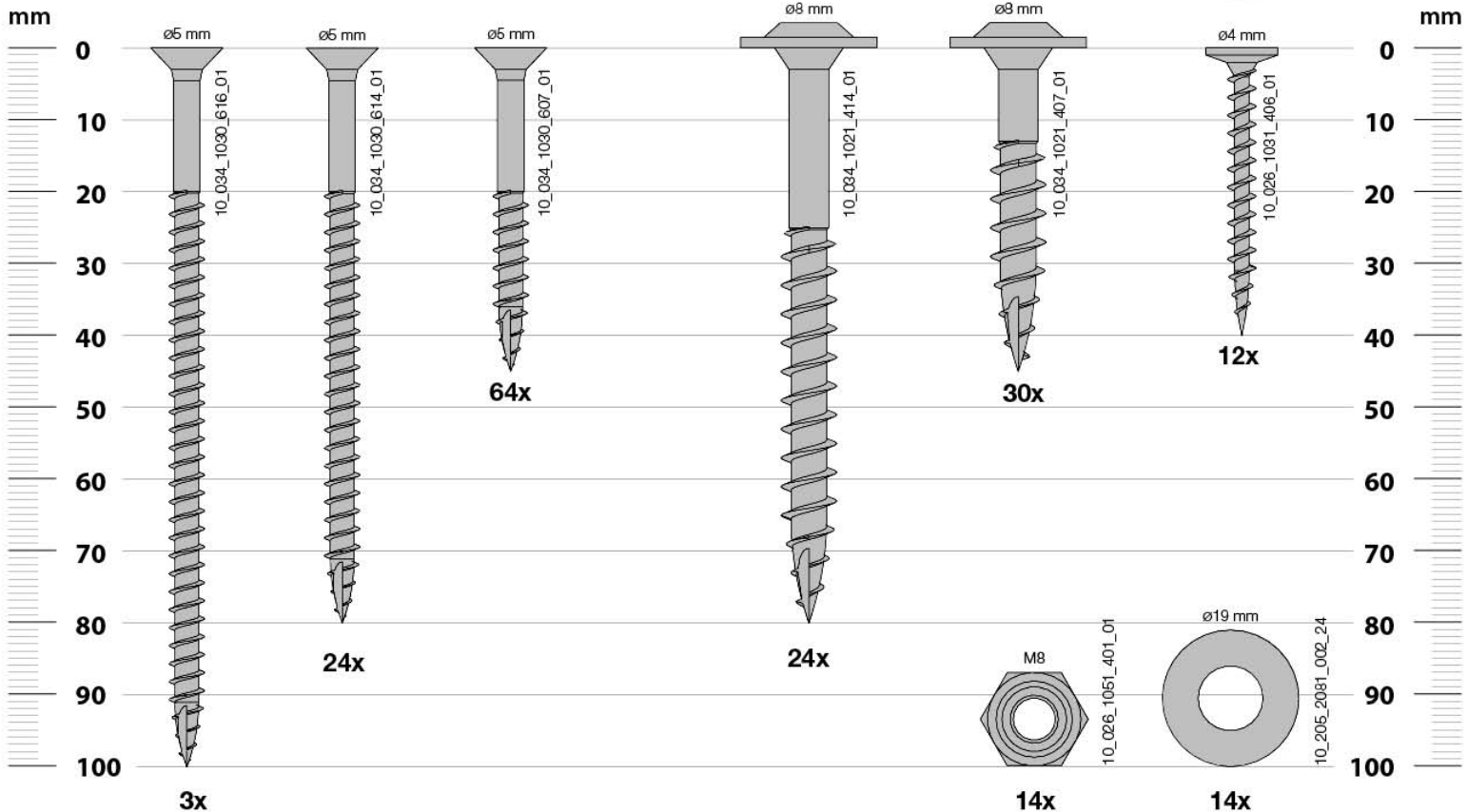
Content Q-Net

14_001_101_25

 <p>1x 10_467_3010_403_26</p>		 <p>14x 10_030_5051_235_04</p>	 <p>1x 11_207_1090_201_25</p>	
 <p>2x 11_003_3030_202_06</p>		 <p>1x 11_001_1010_415_25</p>		
 <p>1x 10_030_5051_125_04</p>	 <p>1x 10_030_5051_225_04</p>	 <p>36x 10_205_2030_000_04</p>	 <p>1x 10_030_5051_230_04</p>	 <p>1x 10_030_5051_130_04</p>

Hardware

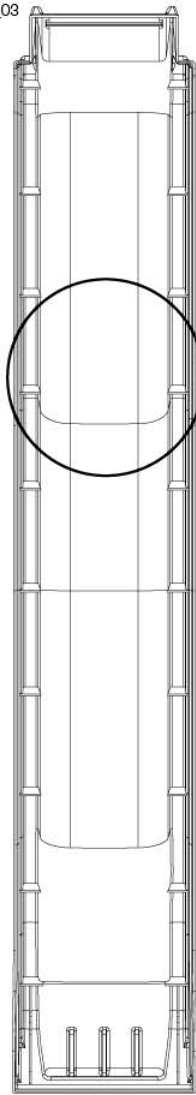
11_001_1010_415_25



2.2a

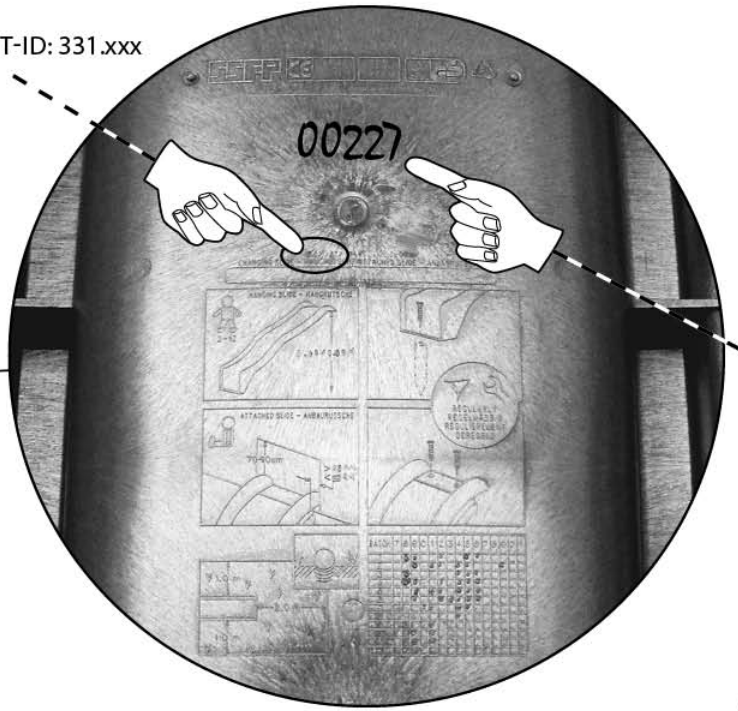
Hy-Slide Polyethylene

14_906_301_03

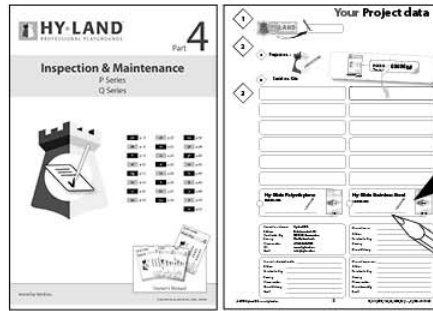


Back

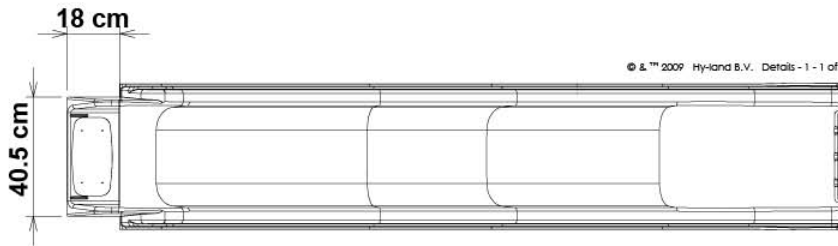
PART-ID: 331.xxx



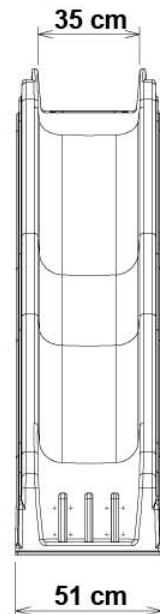
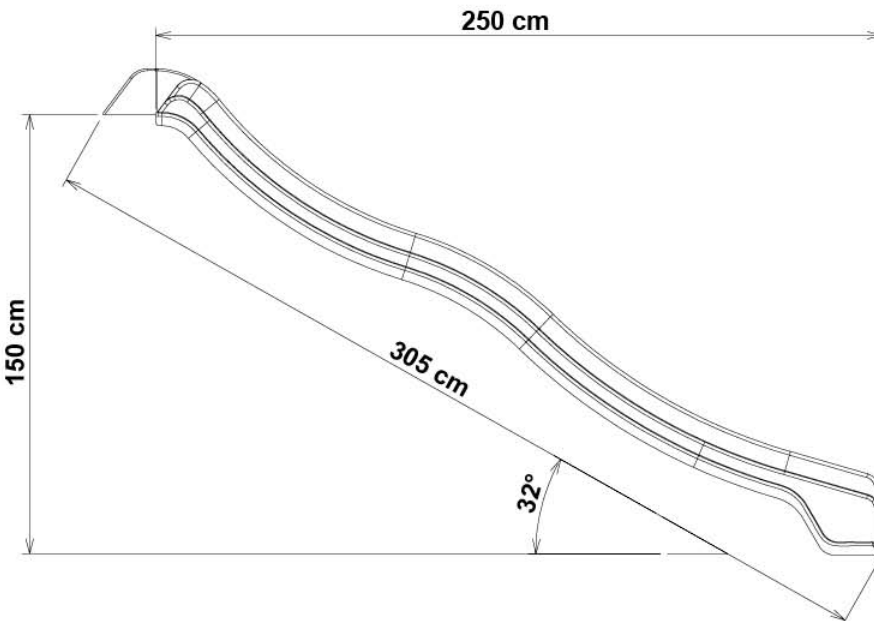
SERIAL NO.



10_460_0819_106_26



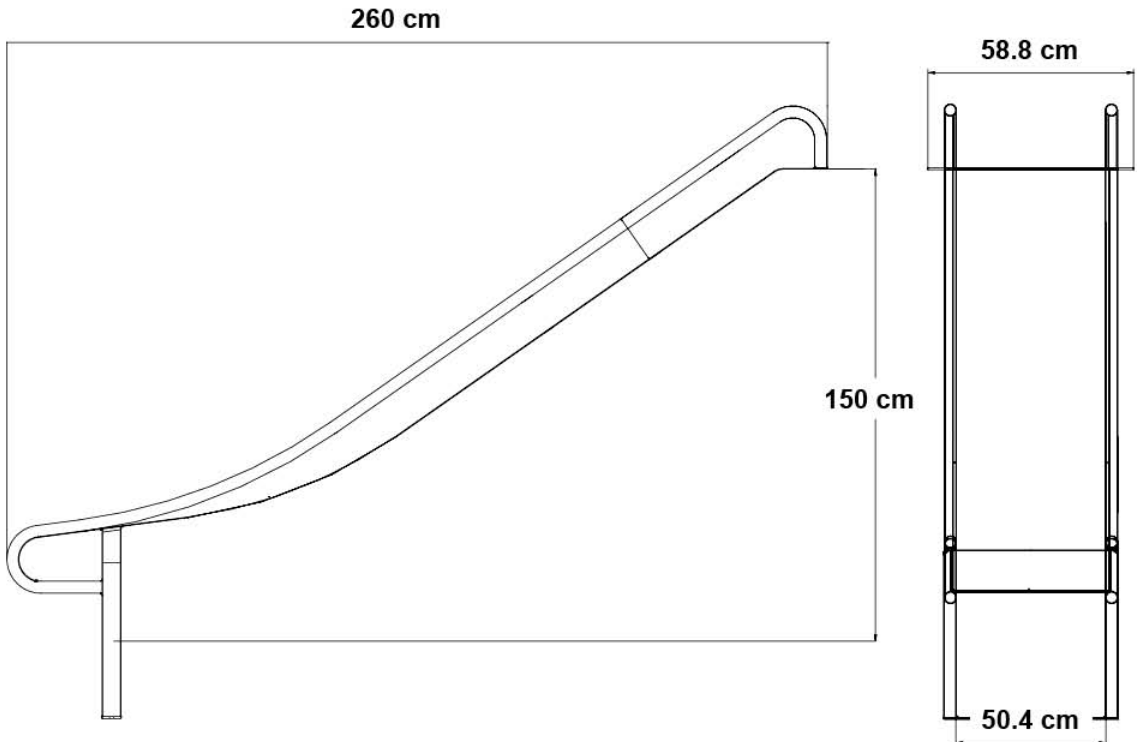
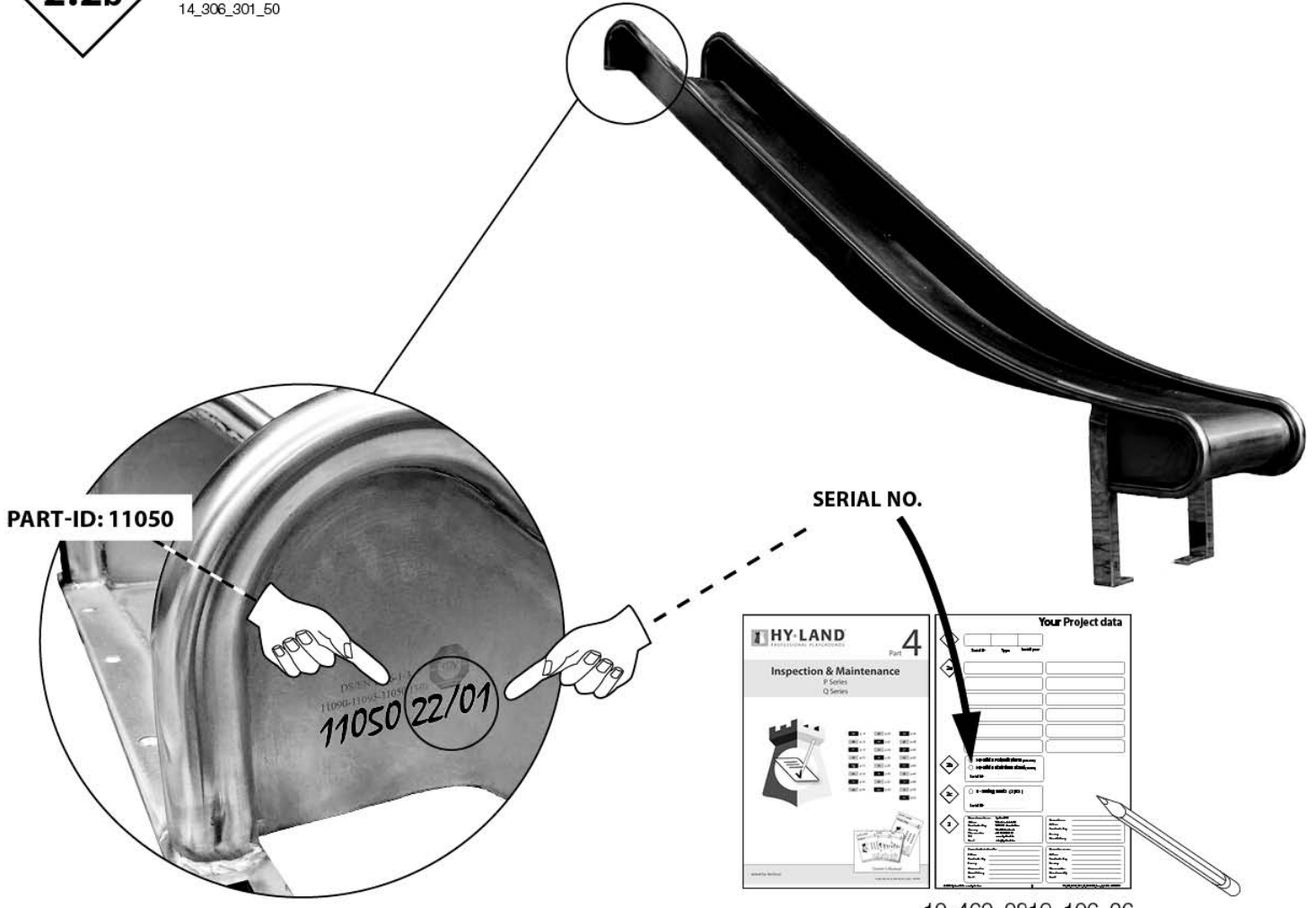
© & ™ 2009 Hy-land B.V. Details - 1 - 1 of 1



2.2b

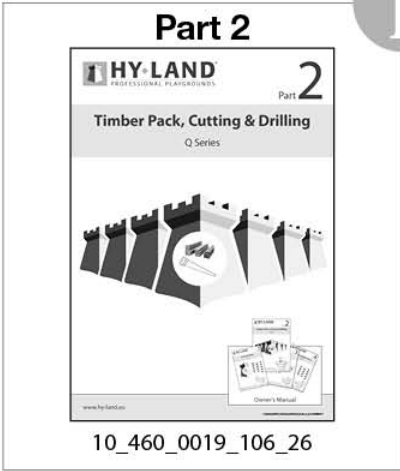
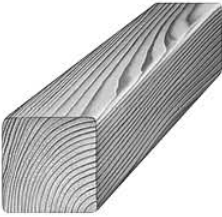
Hy-Slide Stainless Steel

14_906_301_50



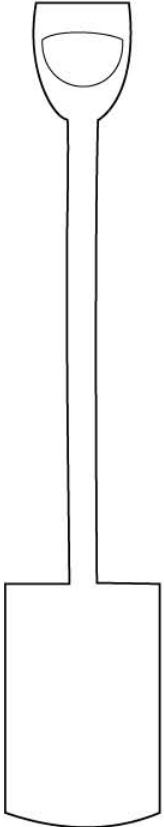
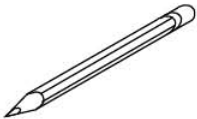
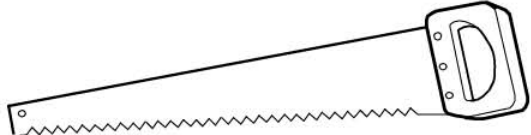
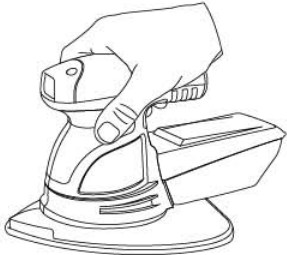
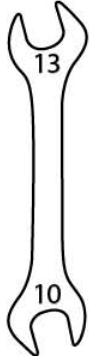
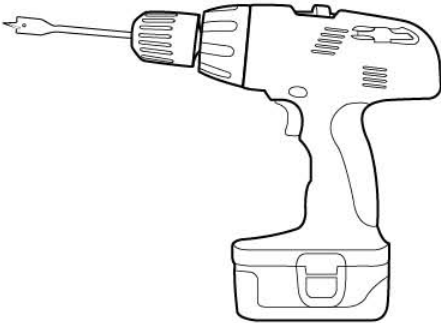
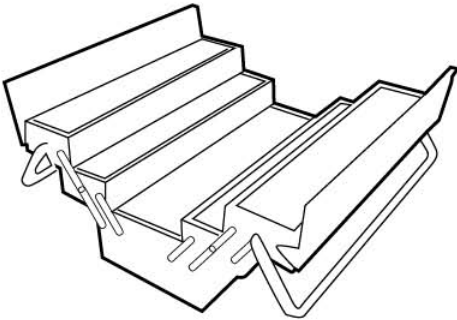
2.3

Timber



3.1

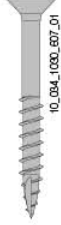
Tools



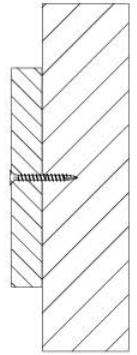
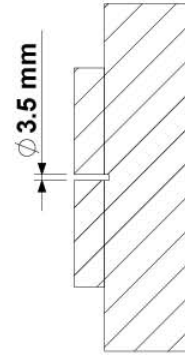
3.2

80 mm

45 mm



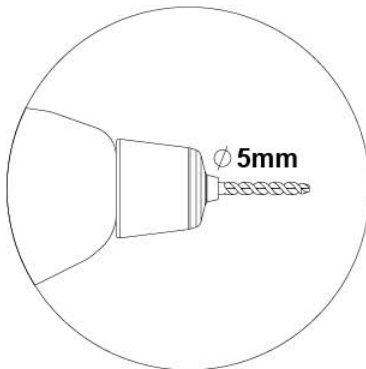
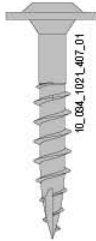
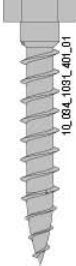
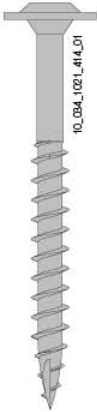
3.5 mm



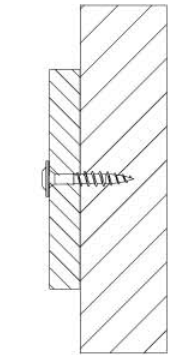
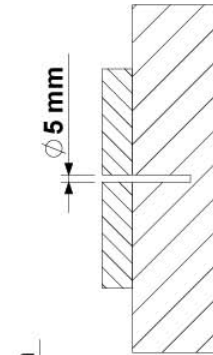
80 mm

50 mm

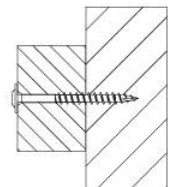
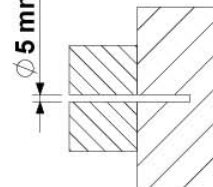
45 mm



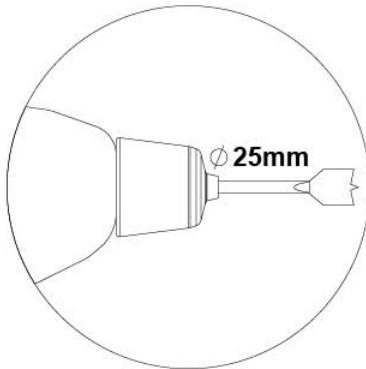
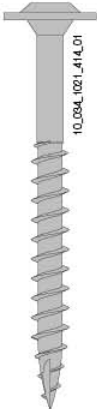
5 mm



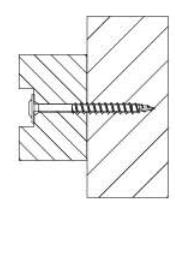
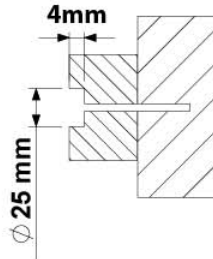
5 mm



80 mm



4 mm



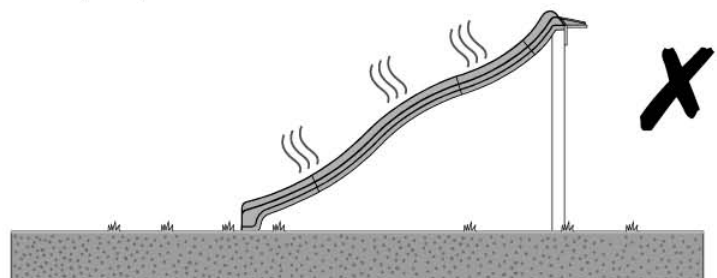
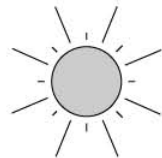
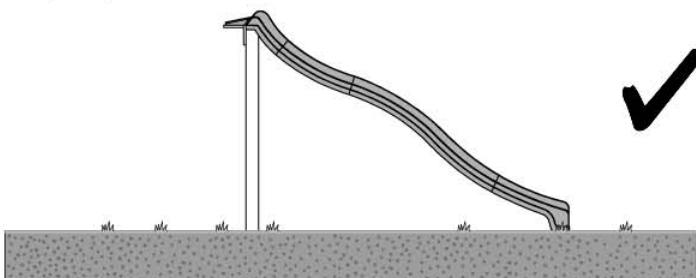
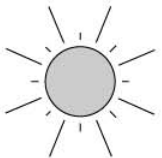
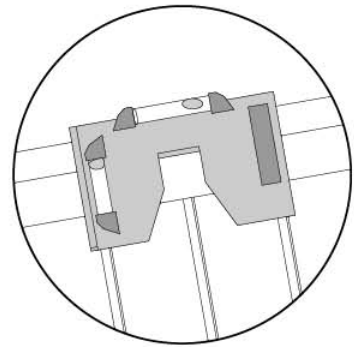
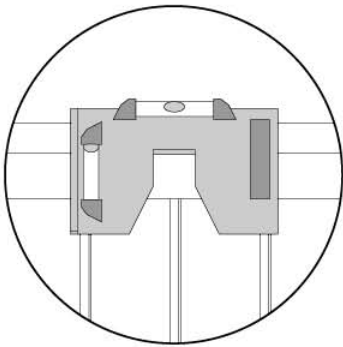
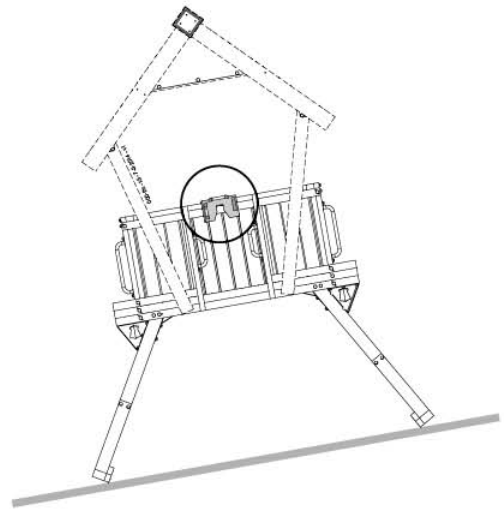
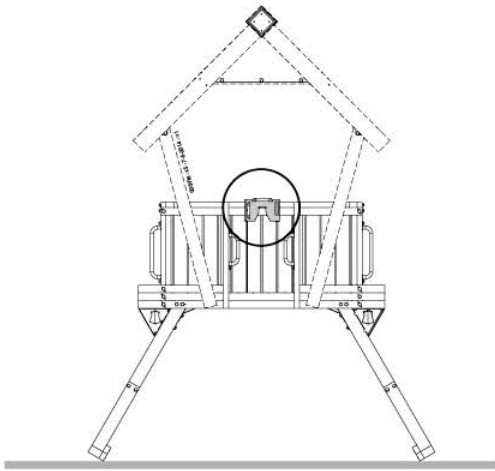
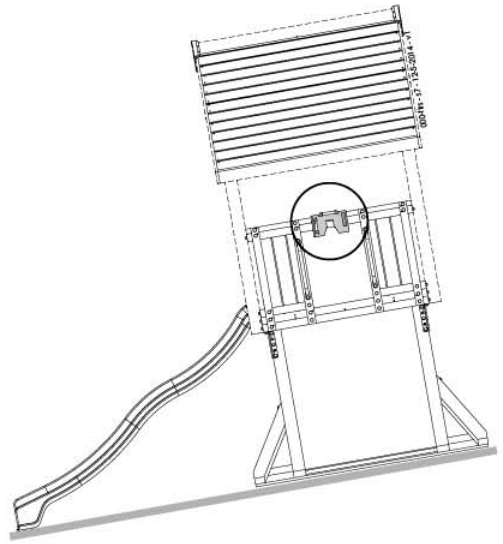
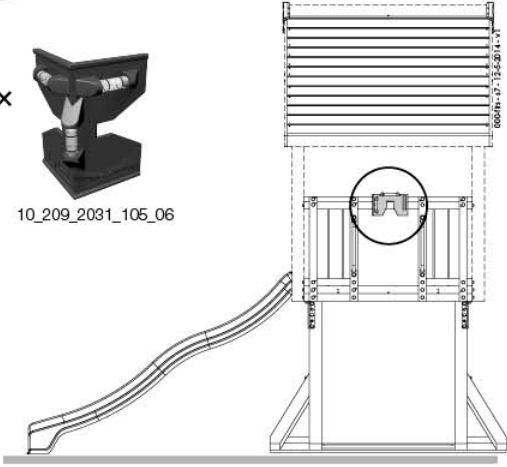
25 mm



1x

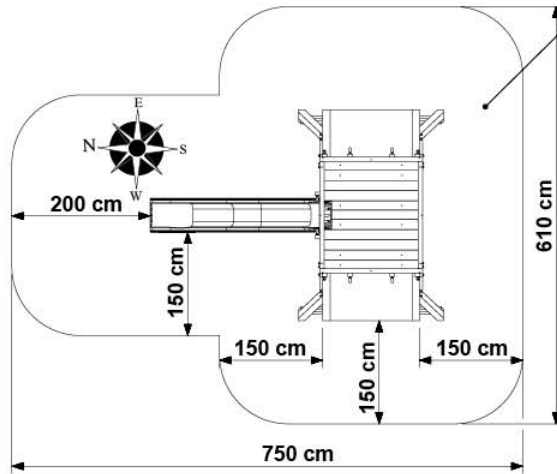
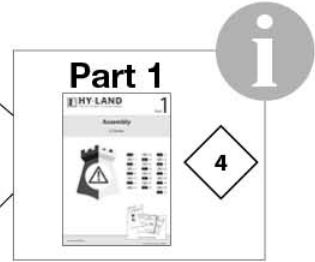
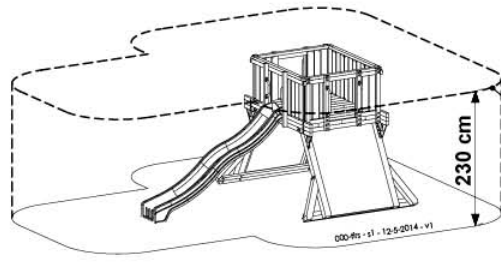


10_209_2031_105_06

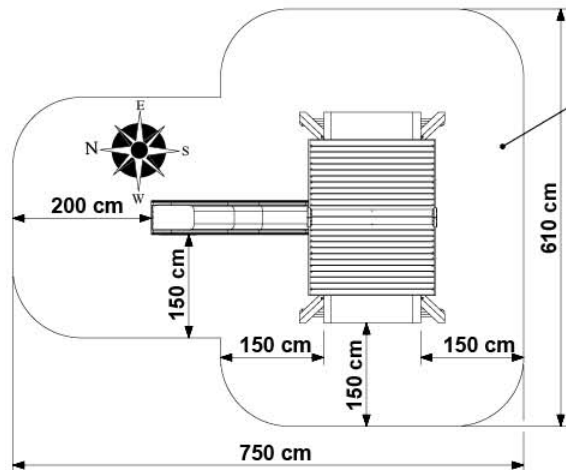
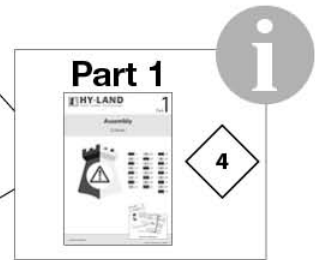
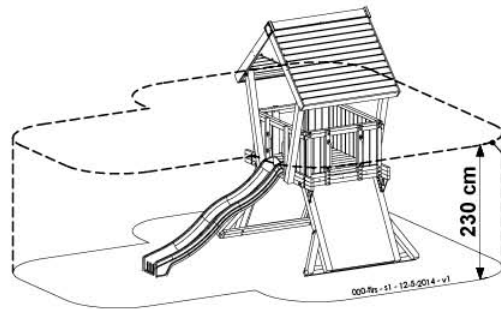


4

Q1

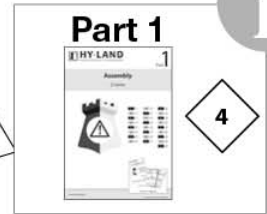
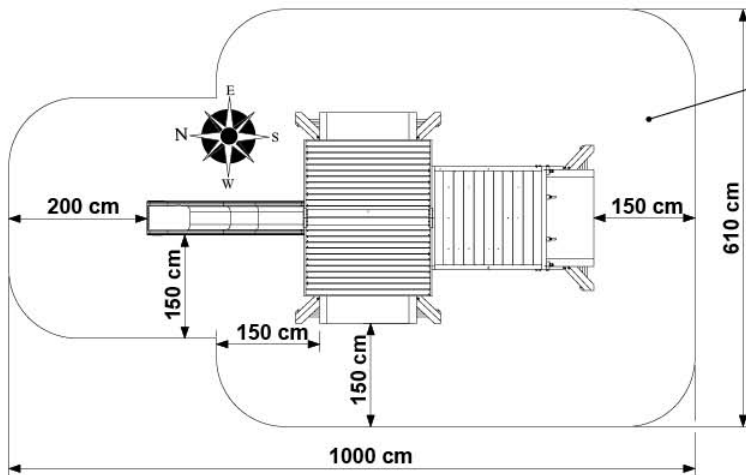
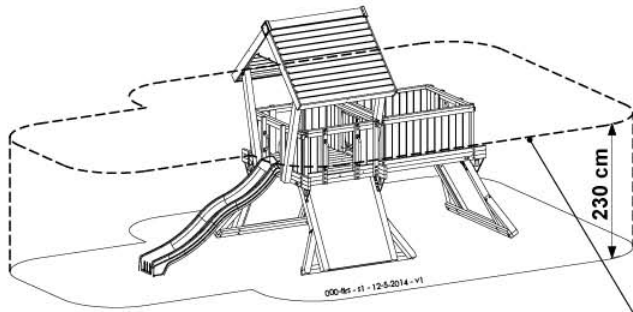


Q2

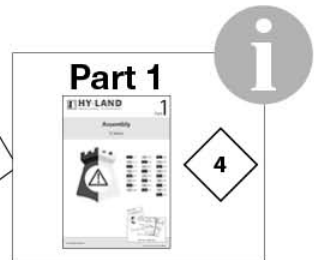
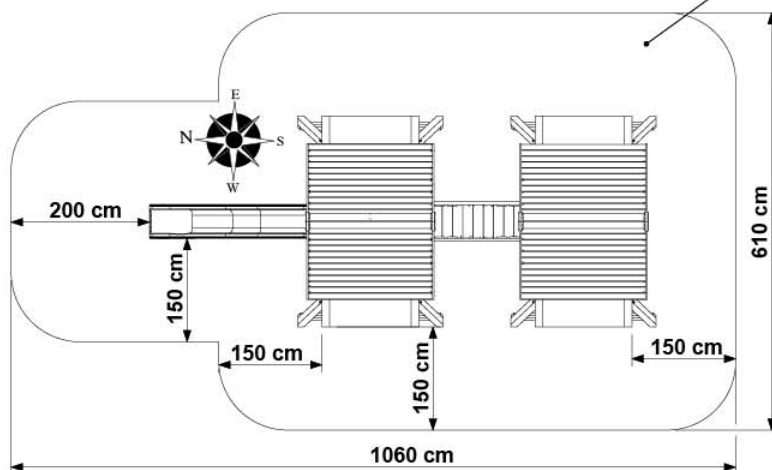
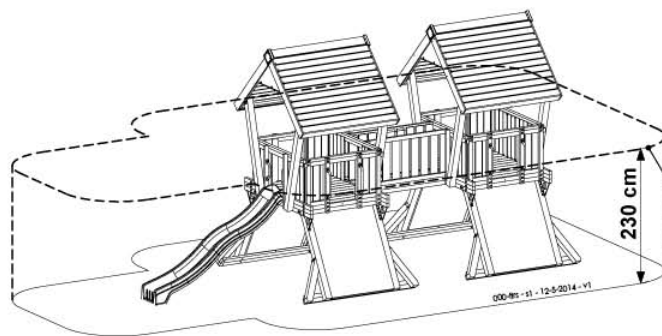


4

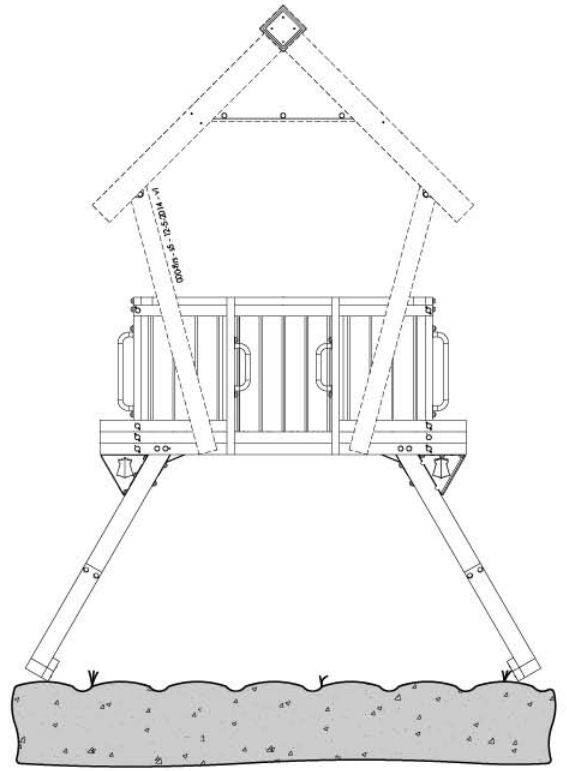
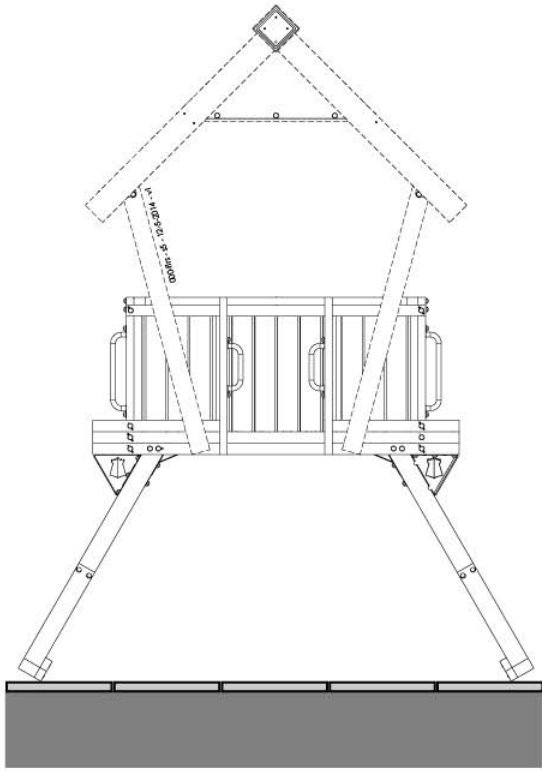
Q3



Q4



4.1

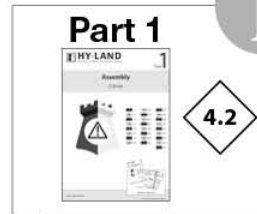
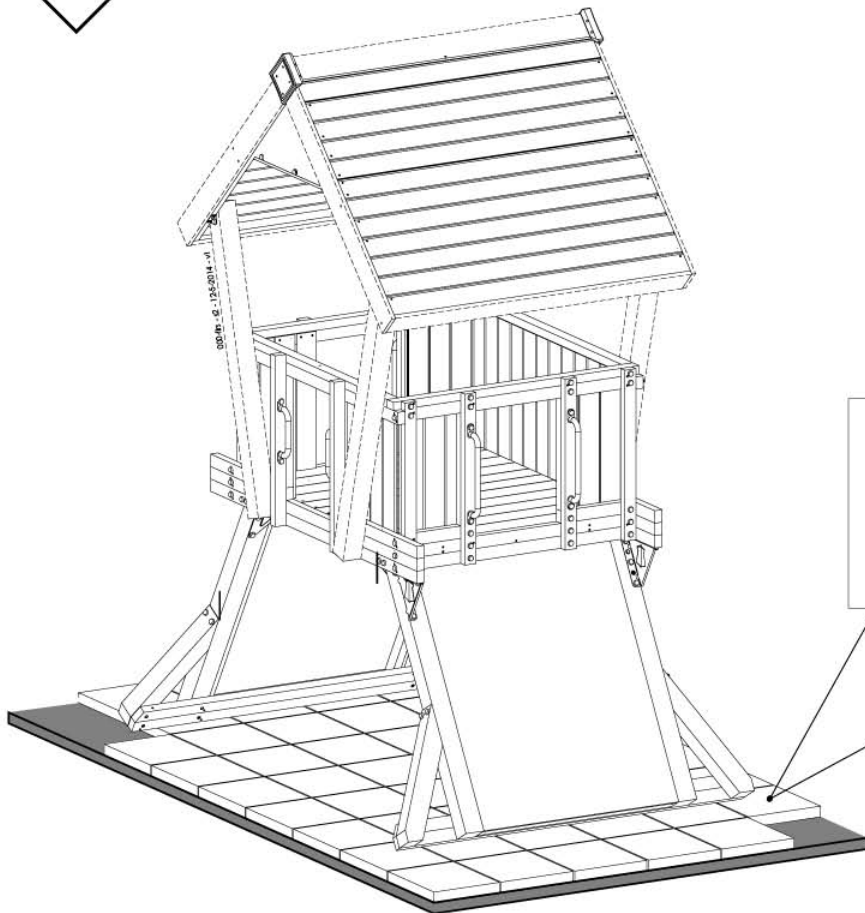


4.2

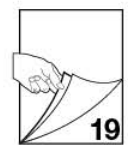
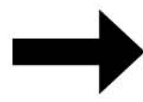


4.3

4.2

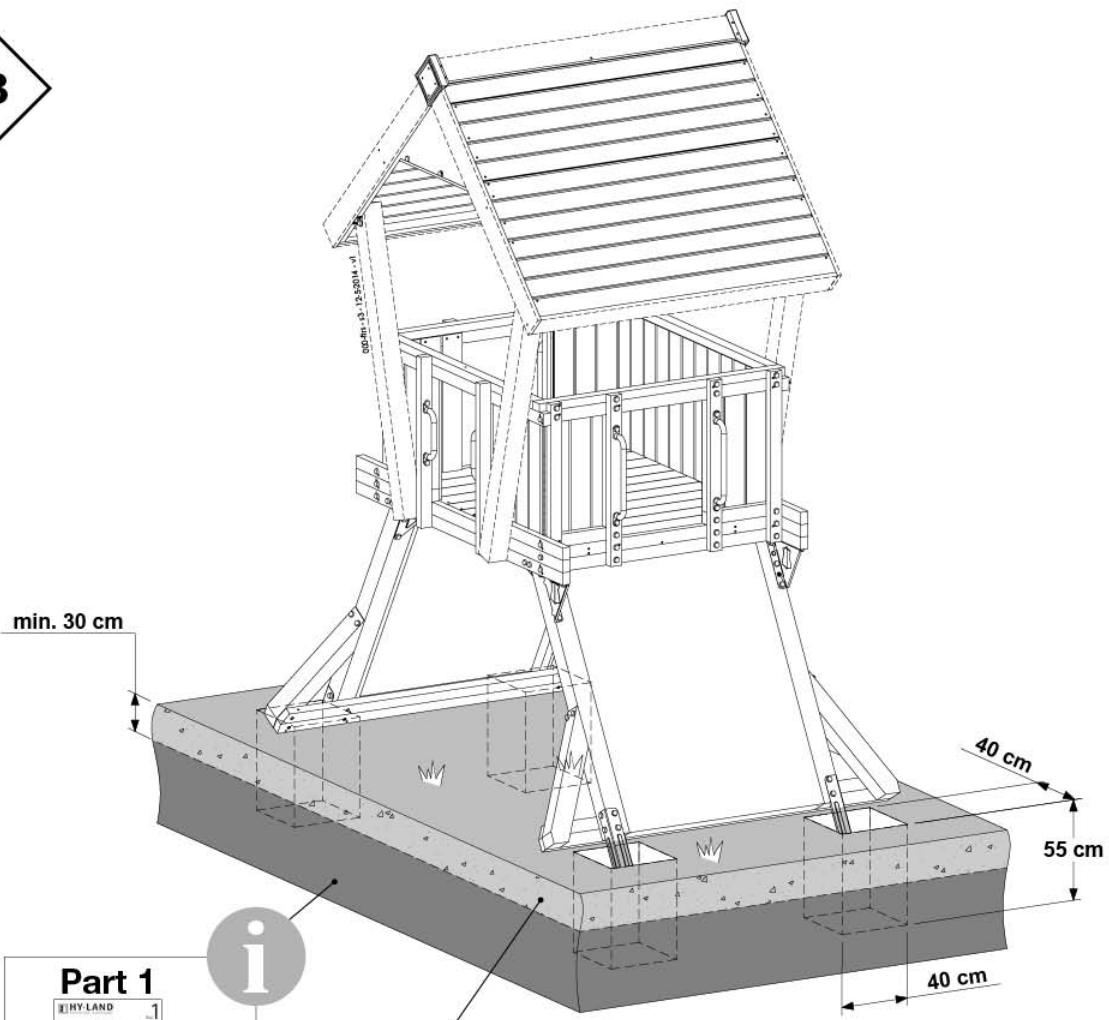


EN 1176:2017



5

4.3



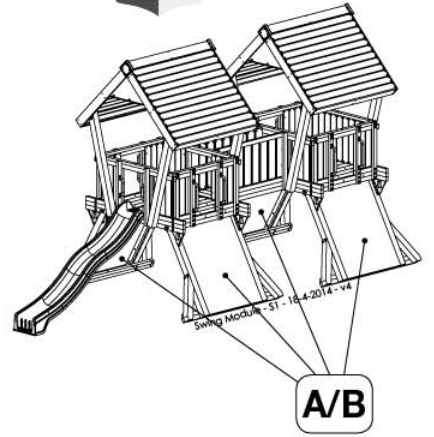
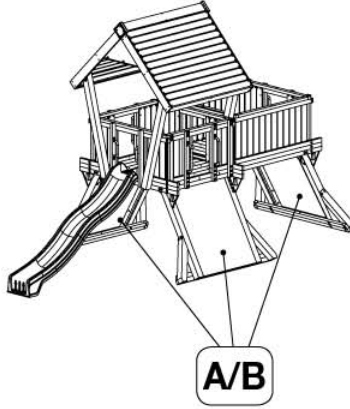
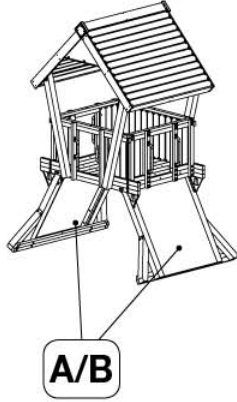
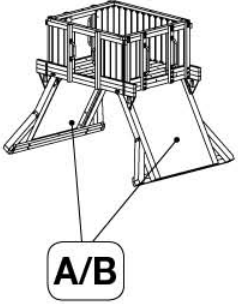
i

Part 1

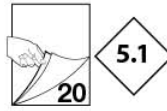
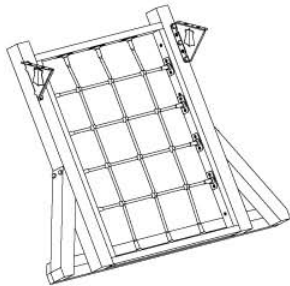
4.3

EN 1176:2017

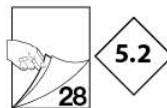
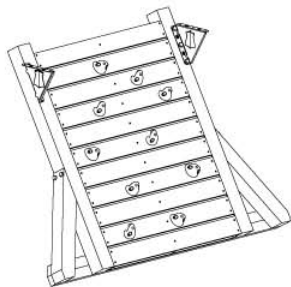
5



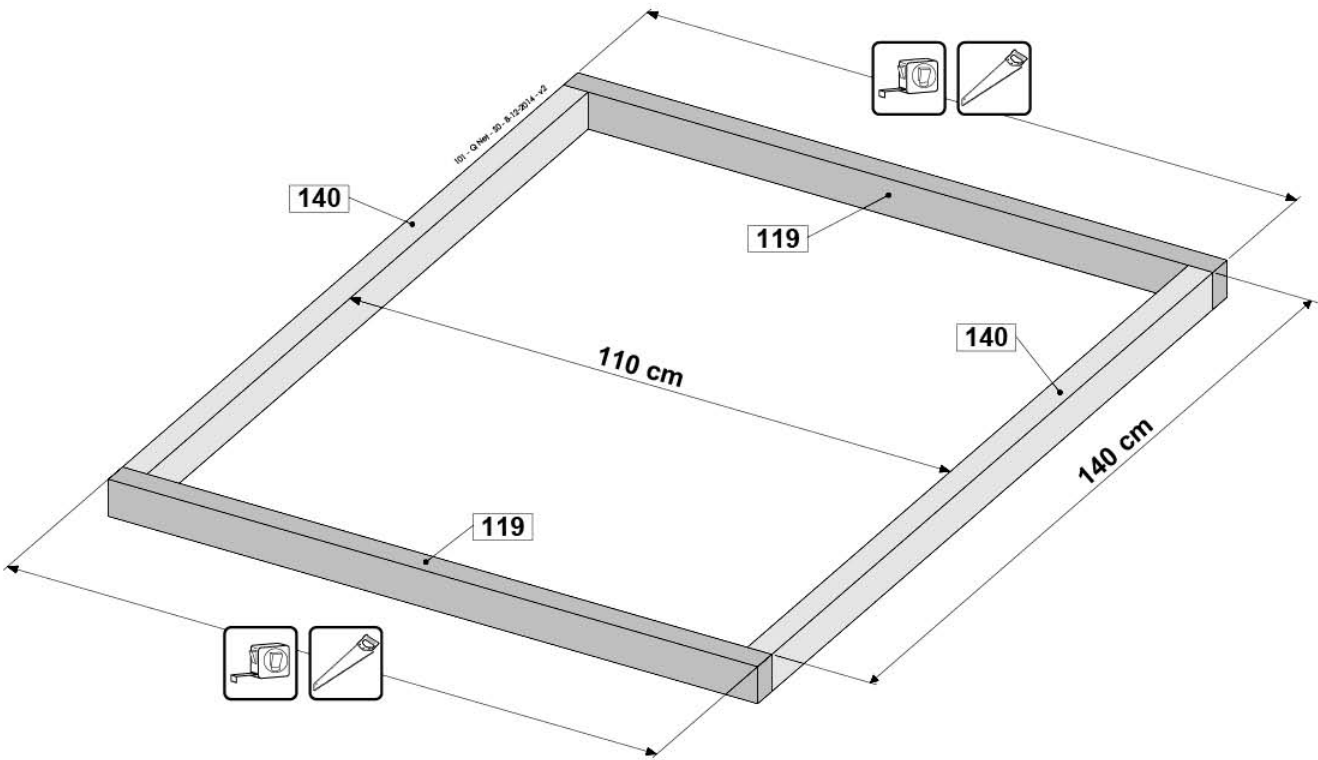
A



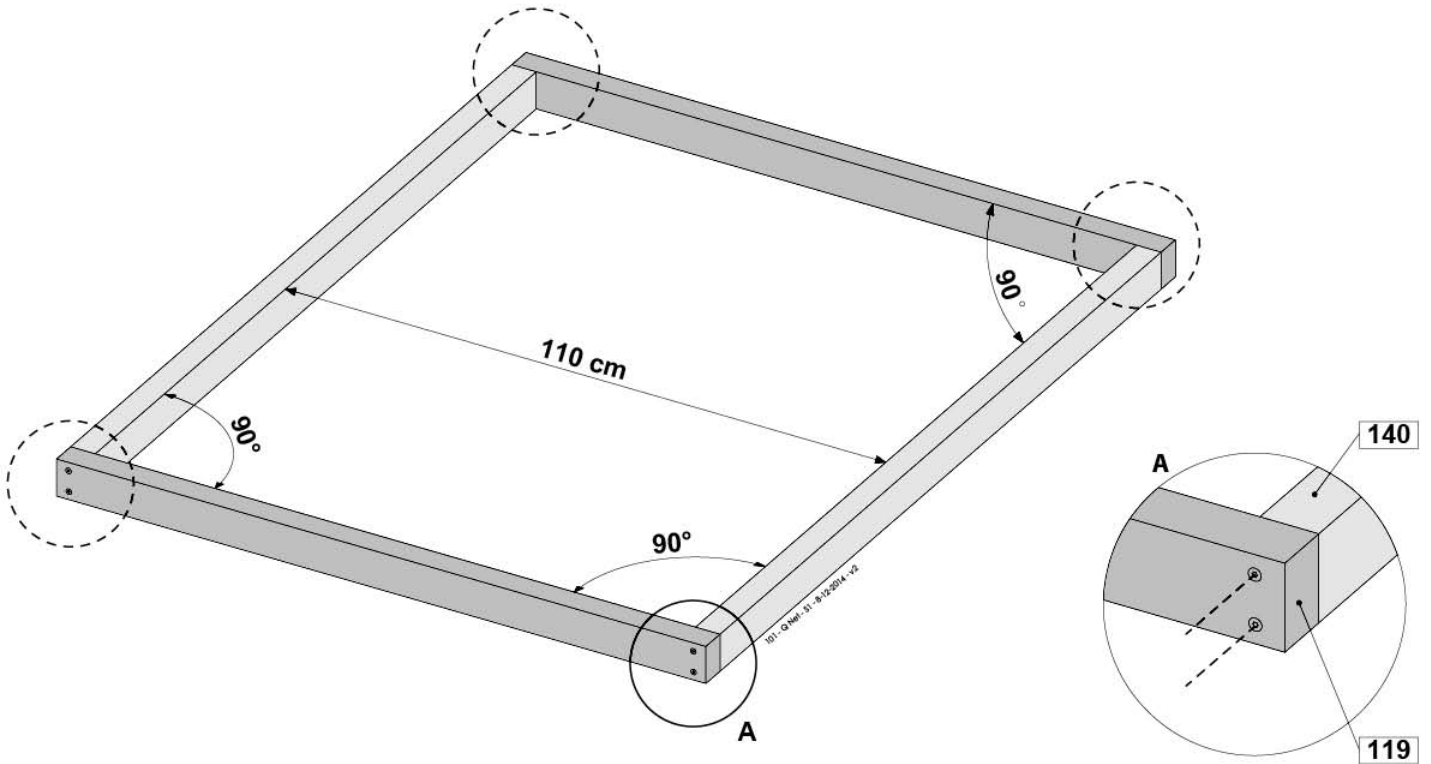
B




5.1a

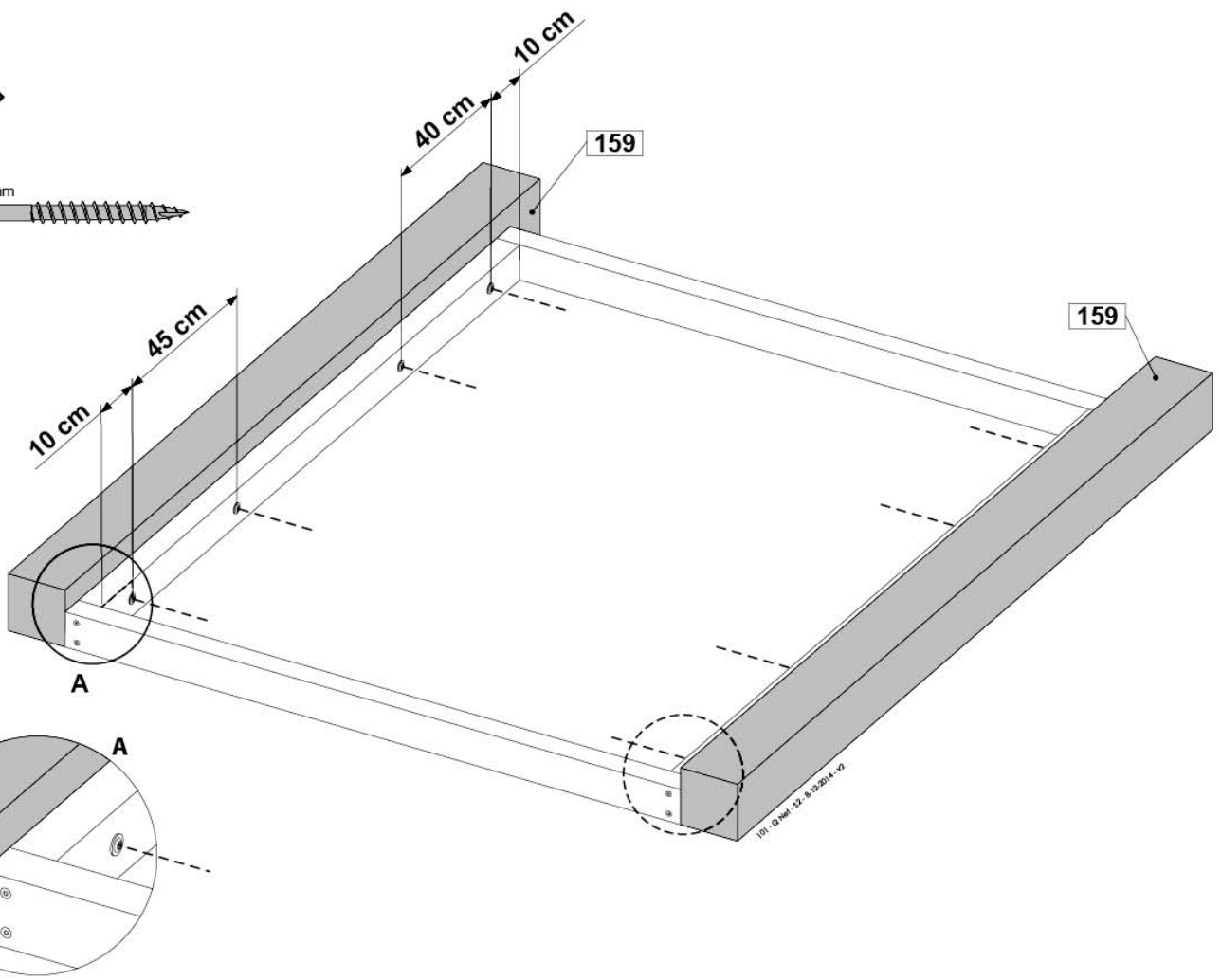


5.1b



5.1c

8x 

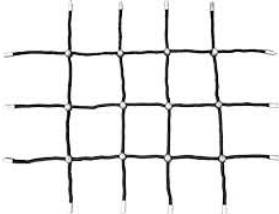


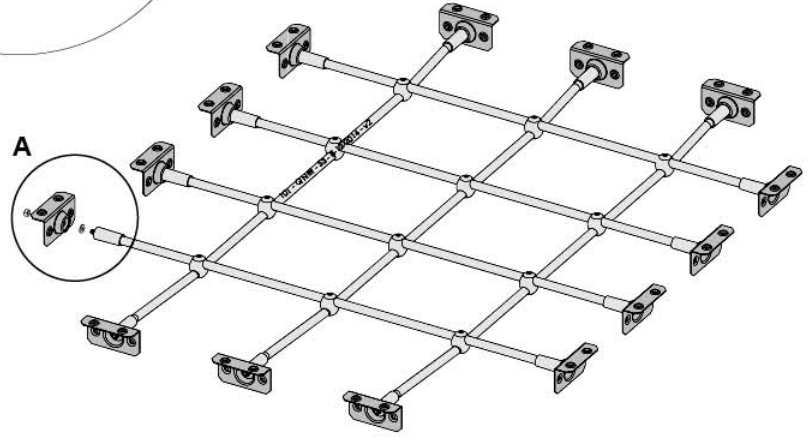
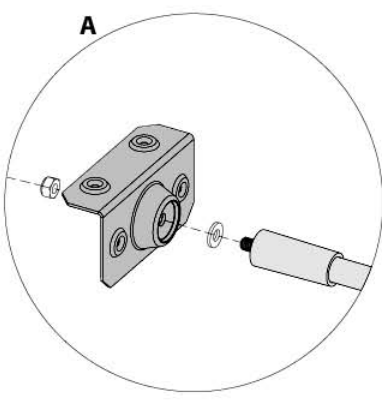
5.1d

14x  ø19 mm

14x  M8

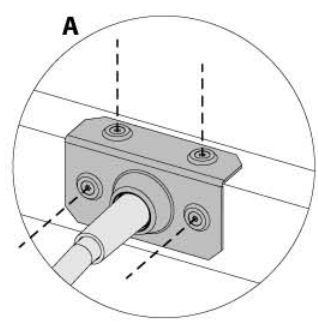
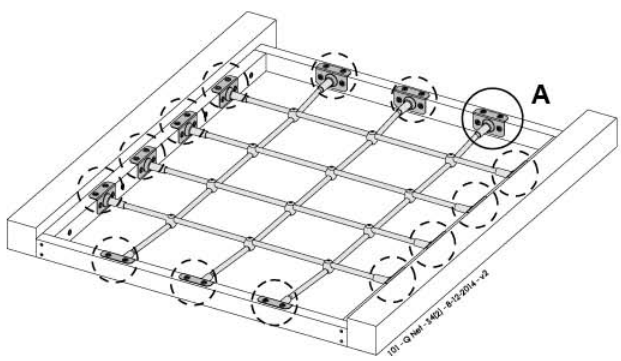
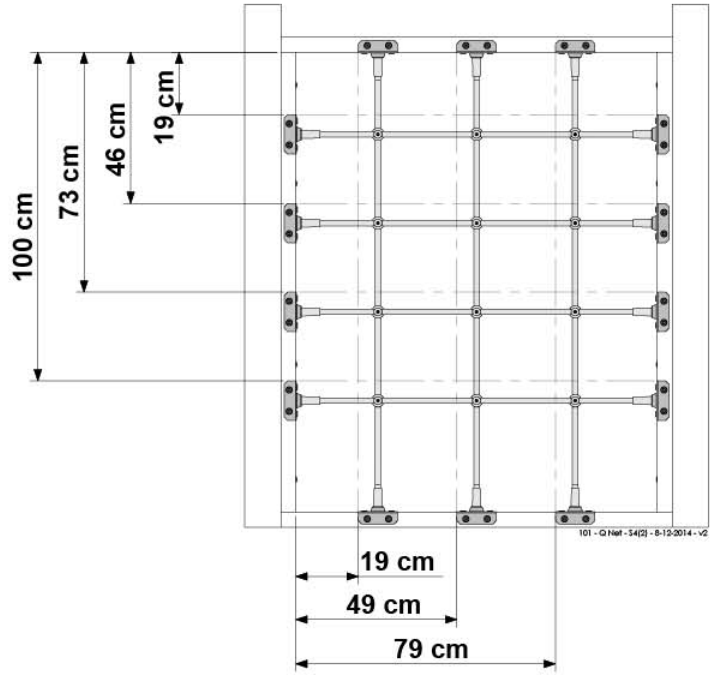
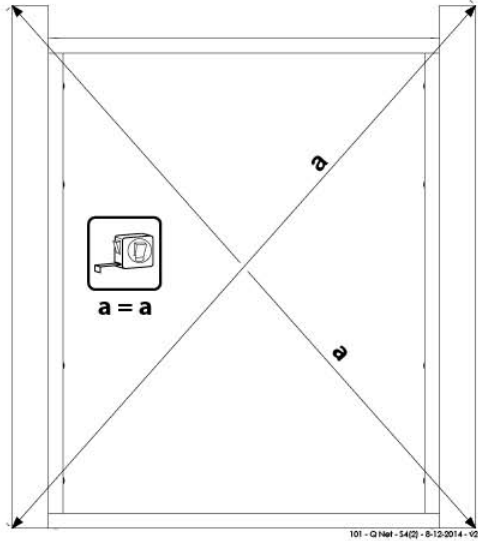
14x  10_030_5061_235_04

1x  11_207_1090_201_25

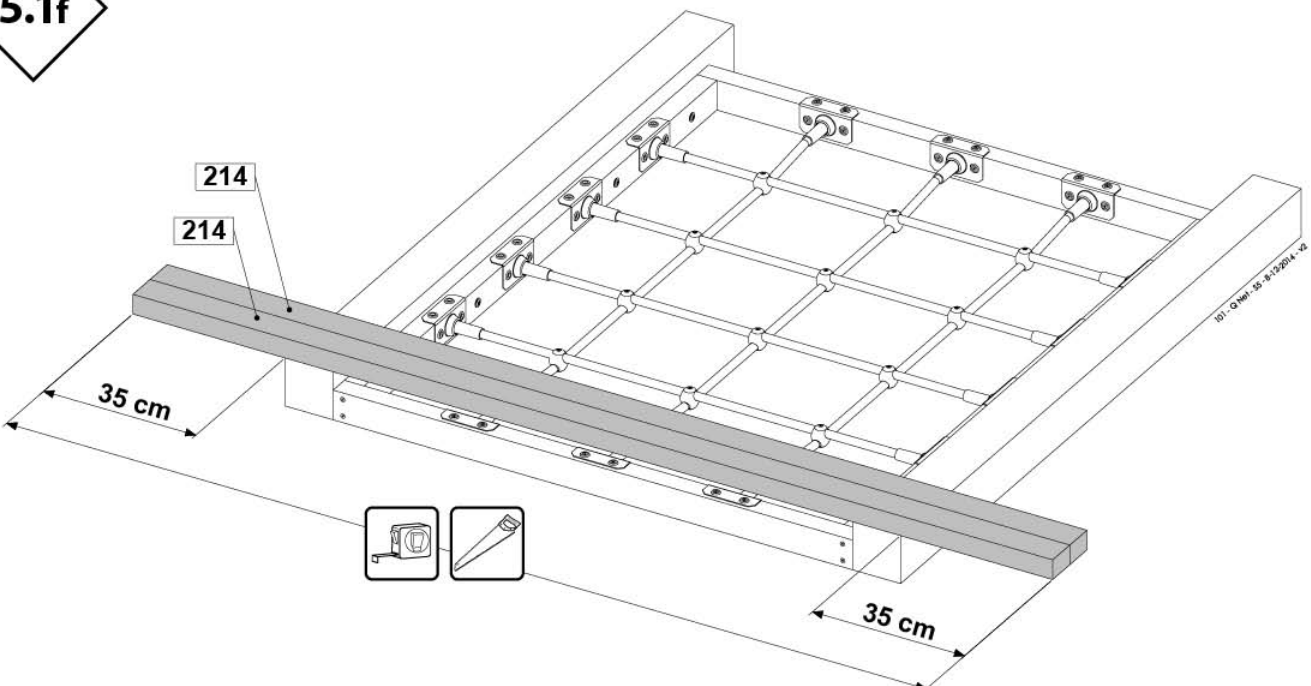


5.1e

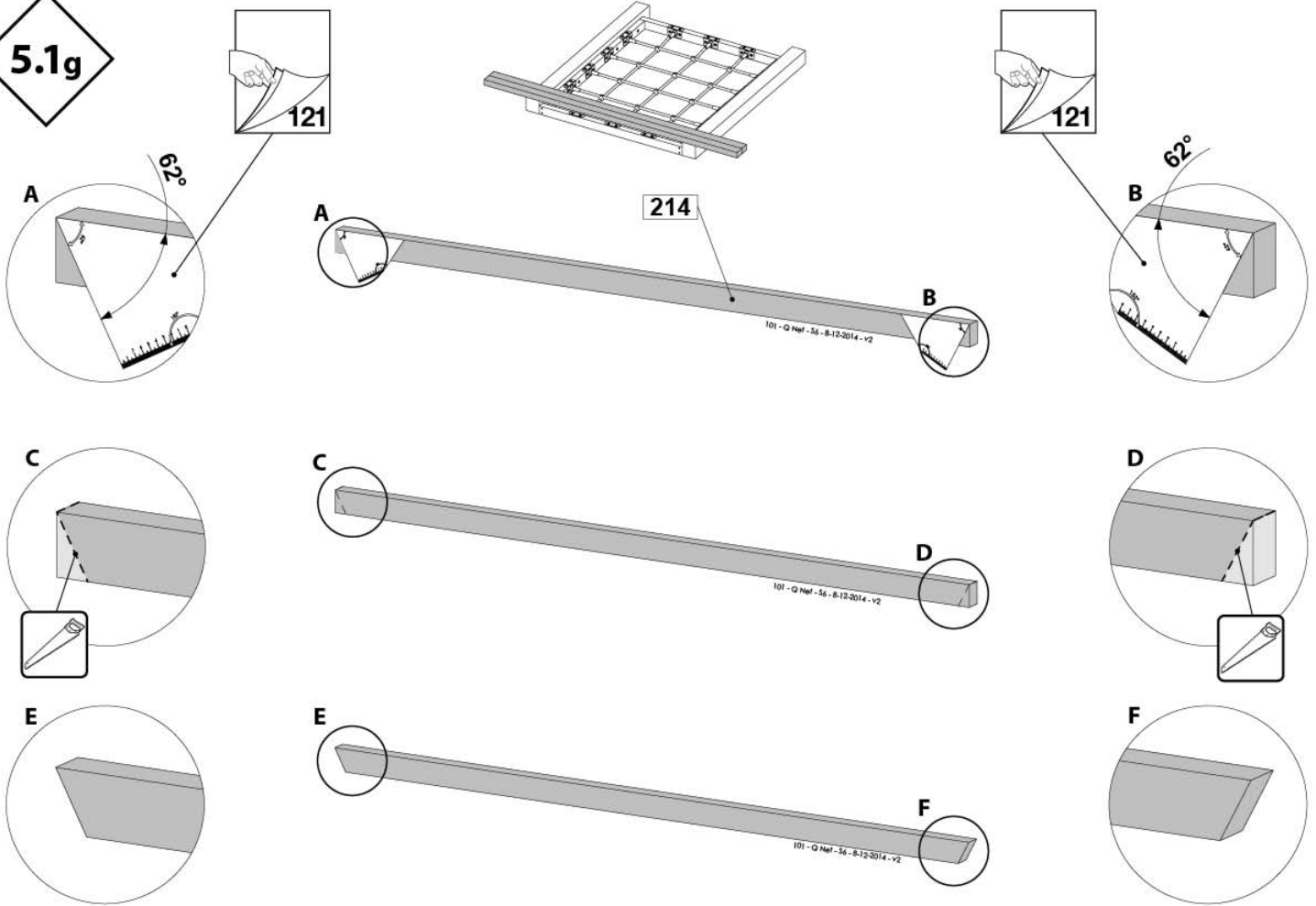
56x 45 mm 



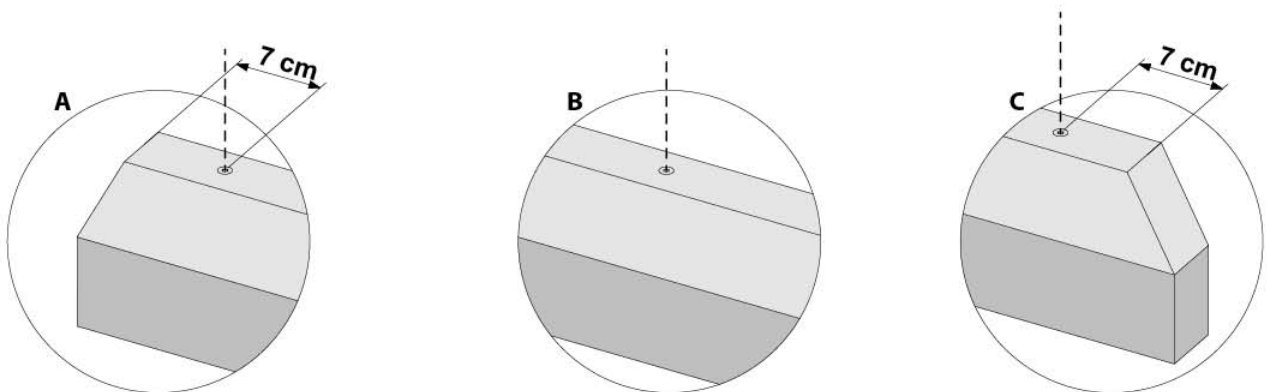
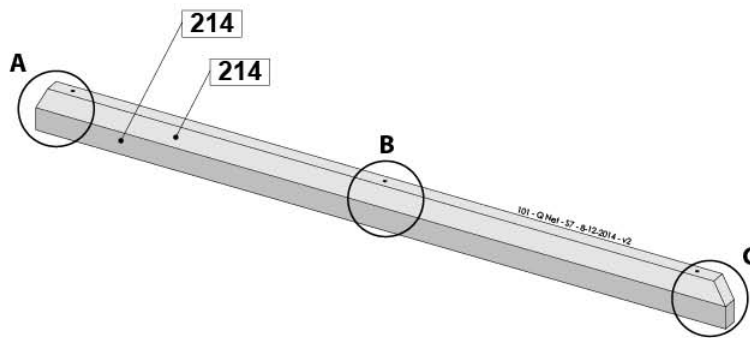
5.1f



5.1g

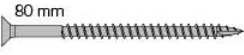
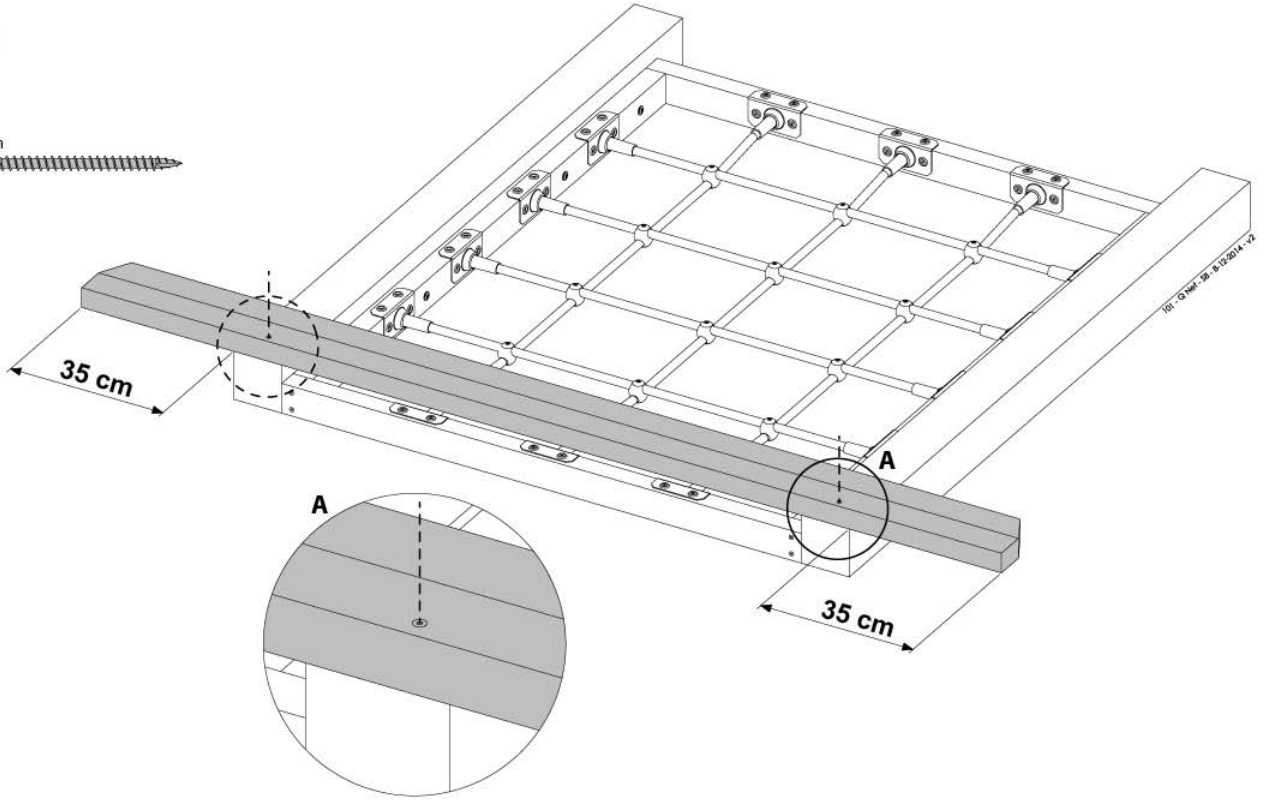


5.1h



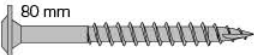
5.1i

2x 80 mm

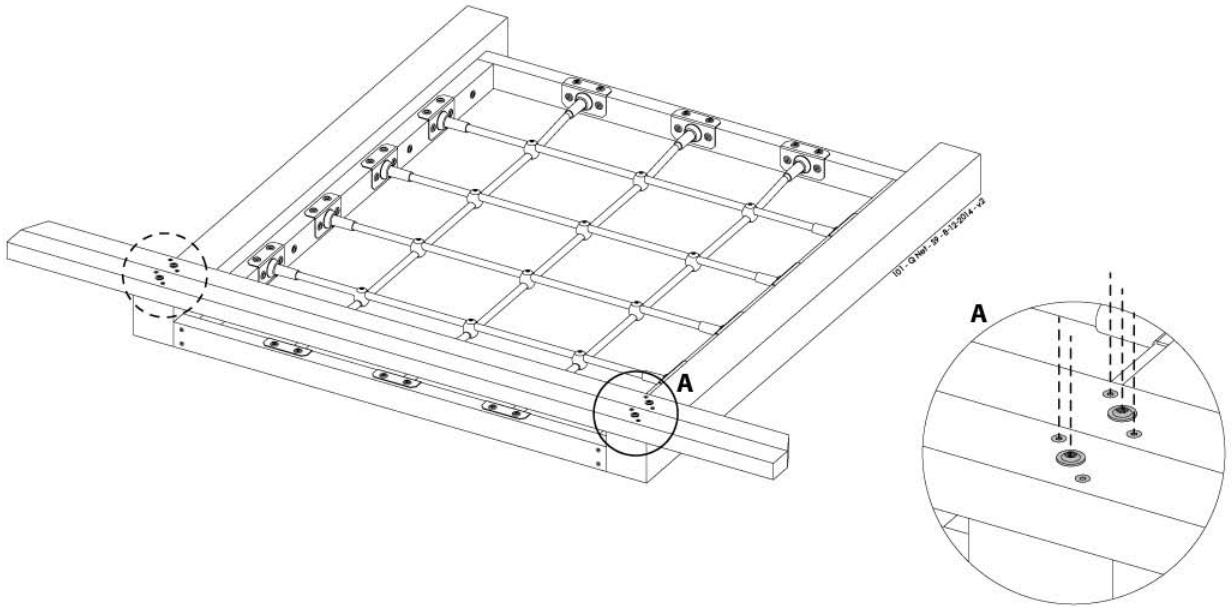
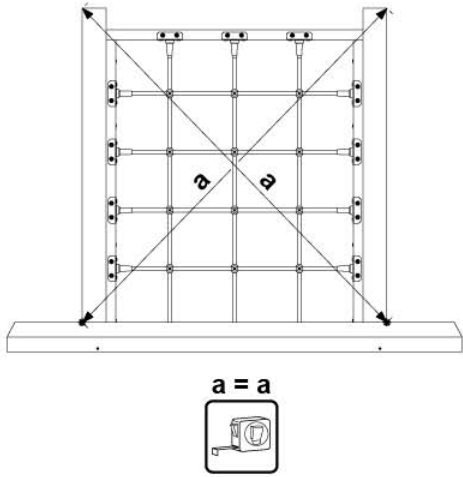



5.1j

4x 80 mm

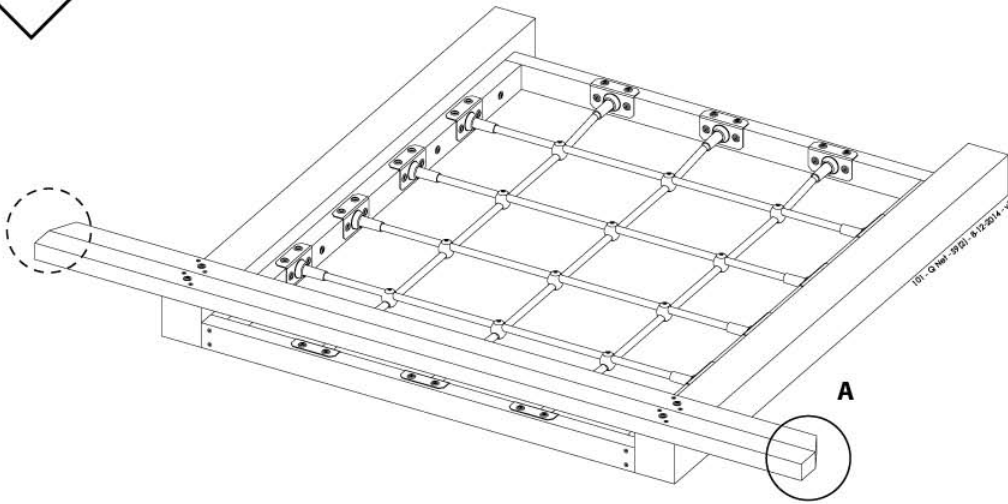


6x 80 mm

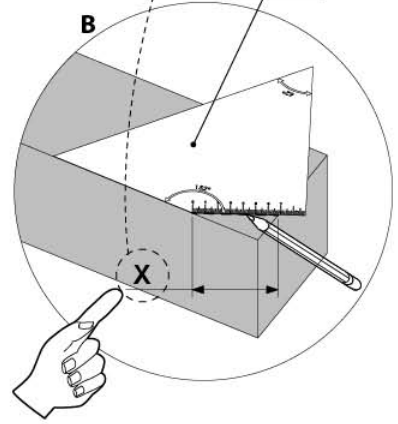
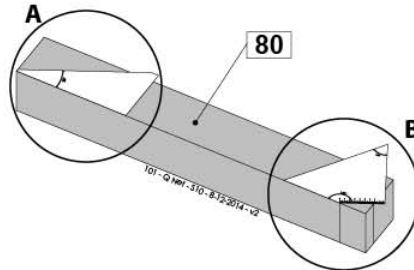
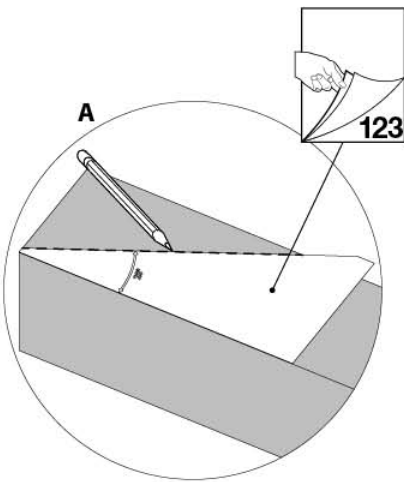



5.1k

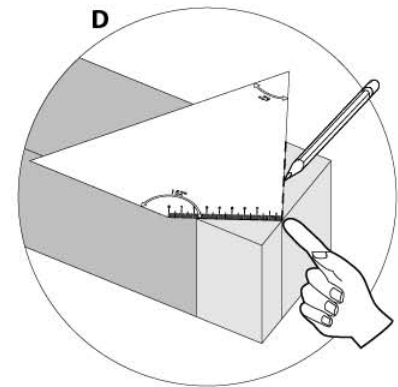
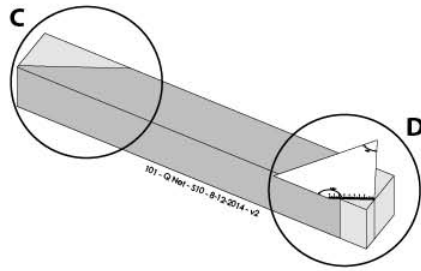
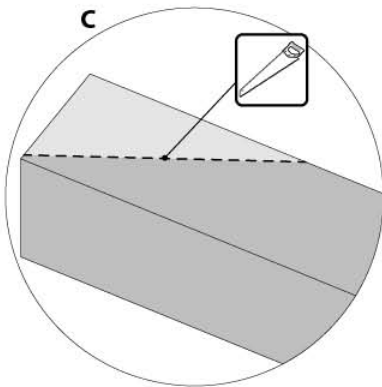
1



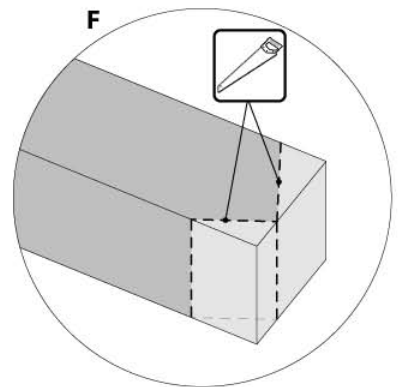
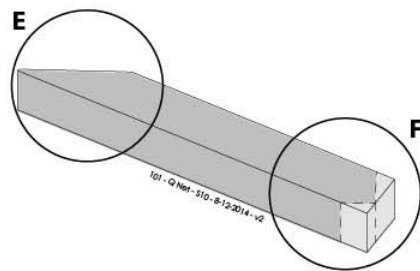
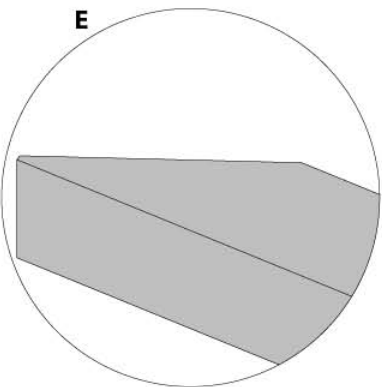
2



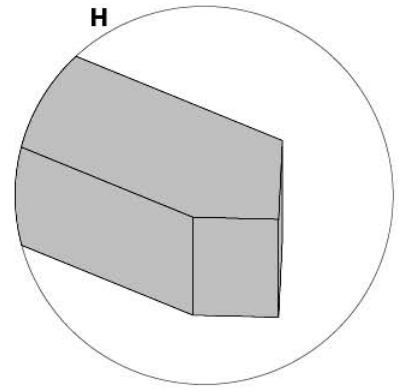
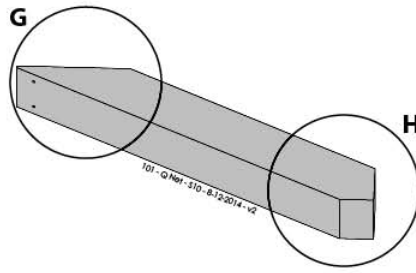
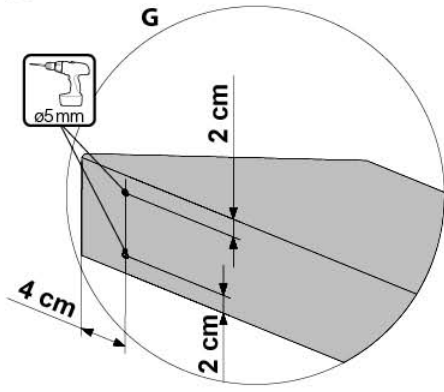
3



4



5



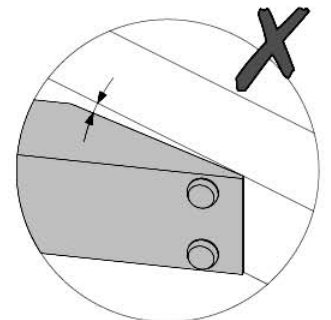
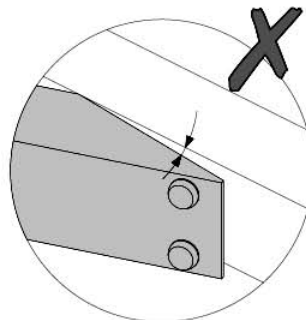
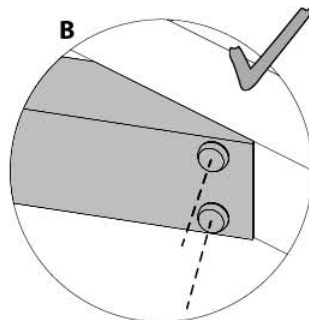
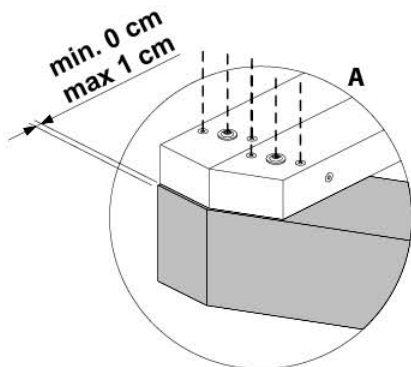
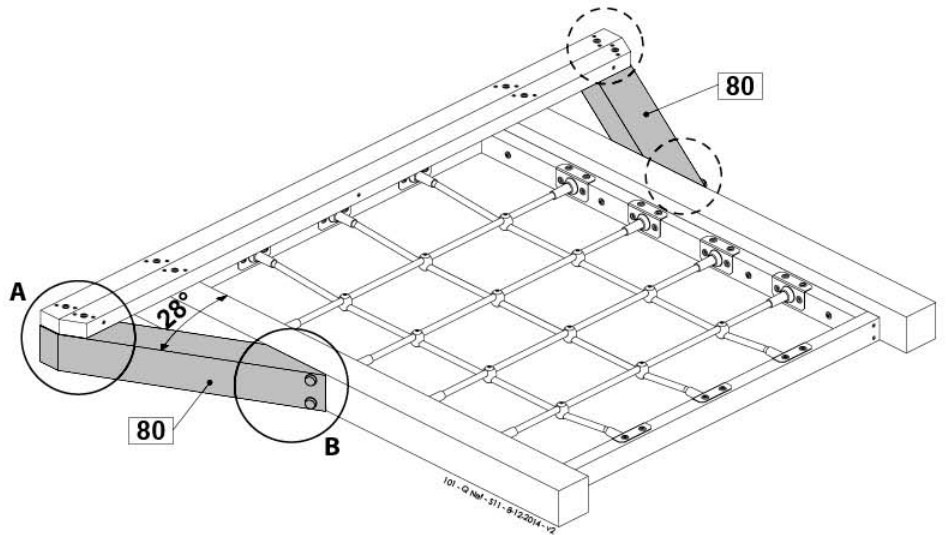
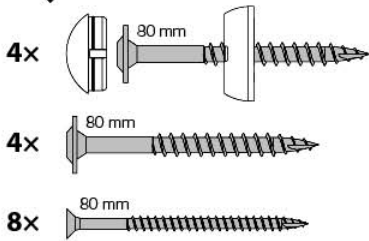
6

5.1k


1 - 5

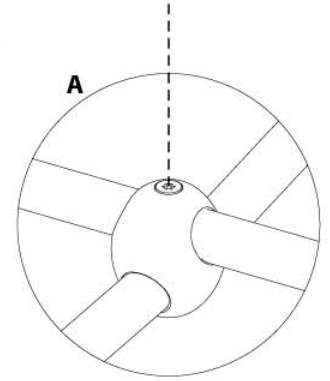
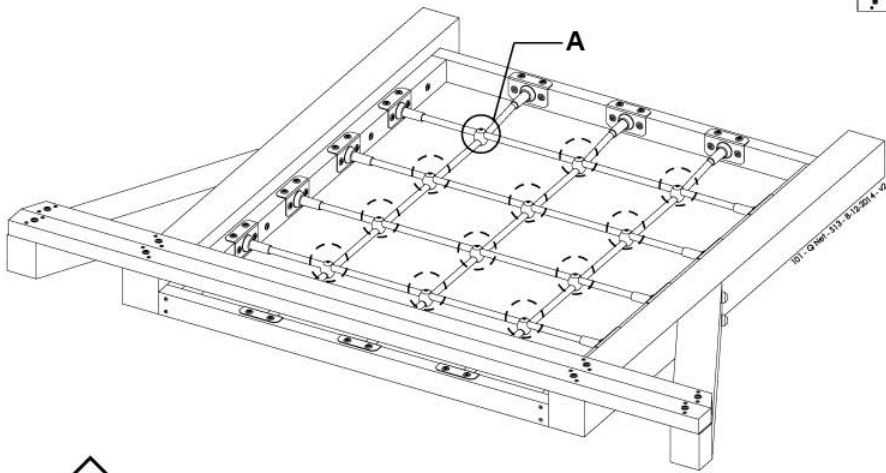
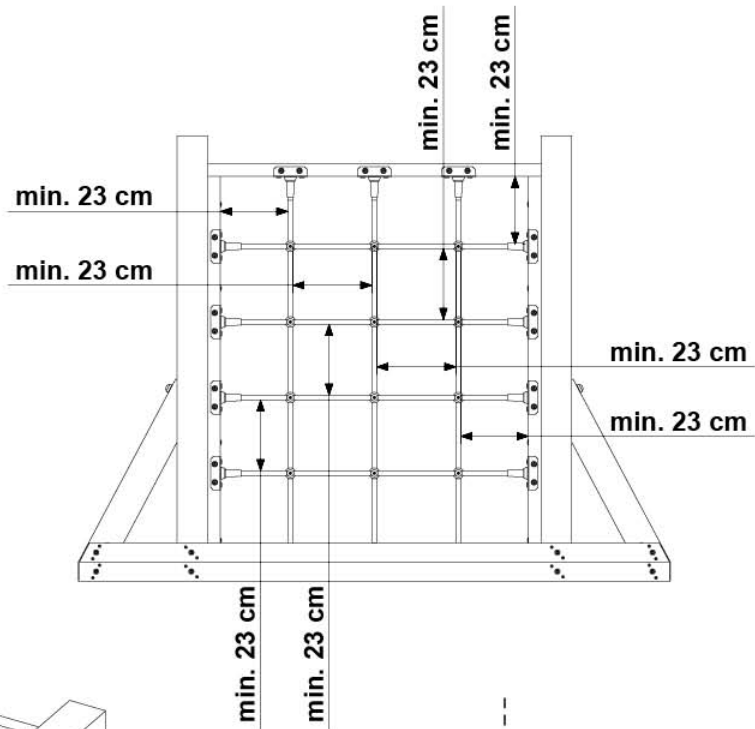
2x

5.1L

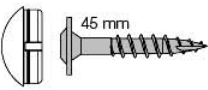


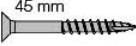


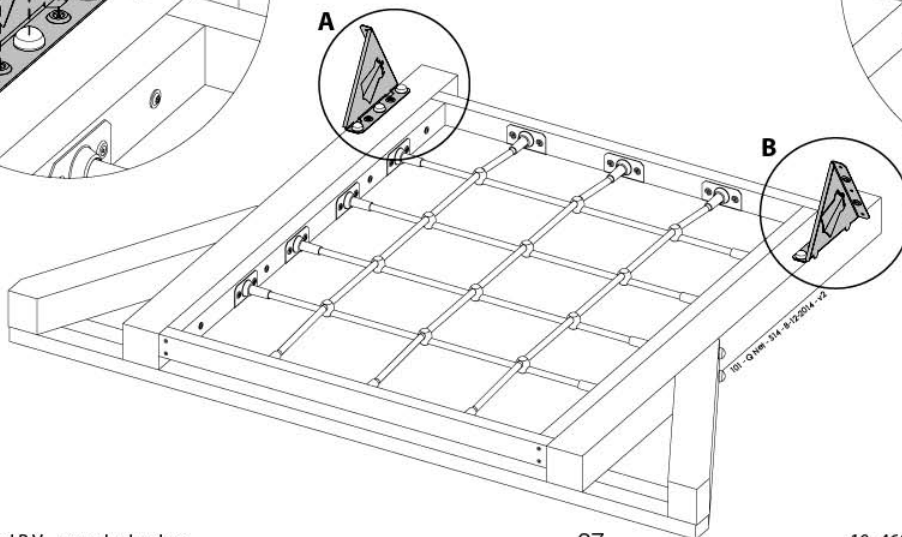
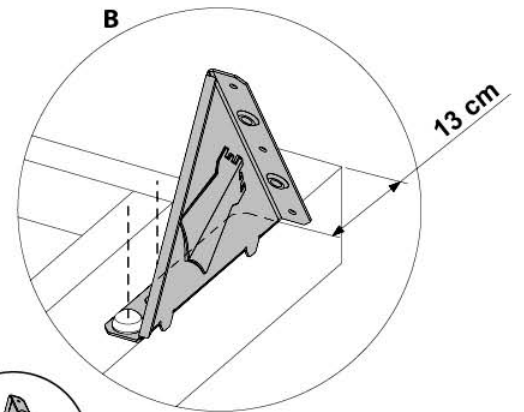
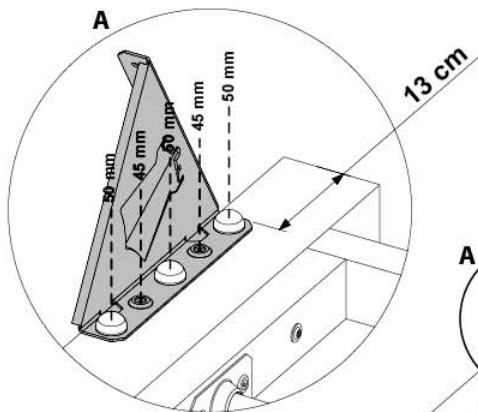
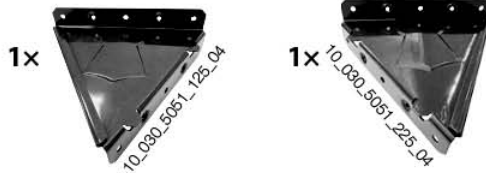
5.1m

12x 

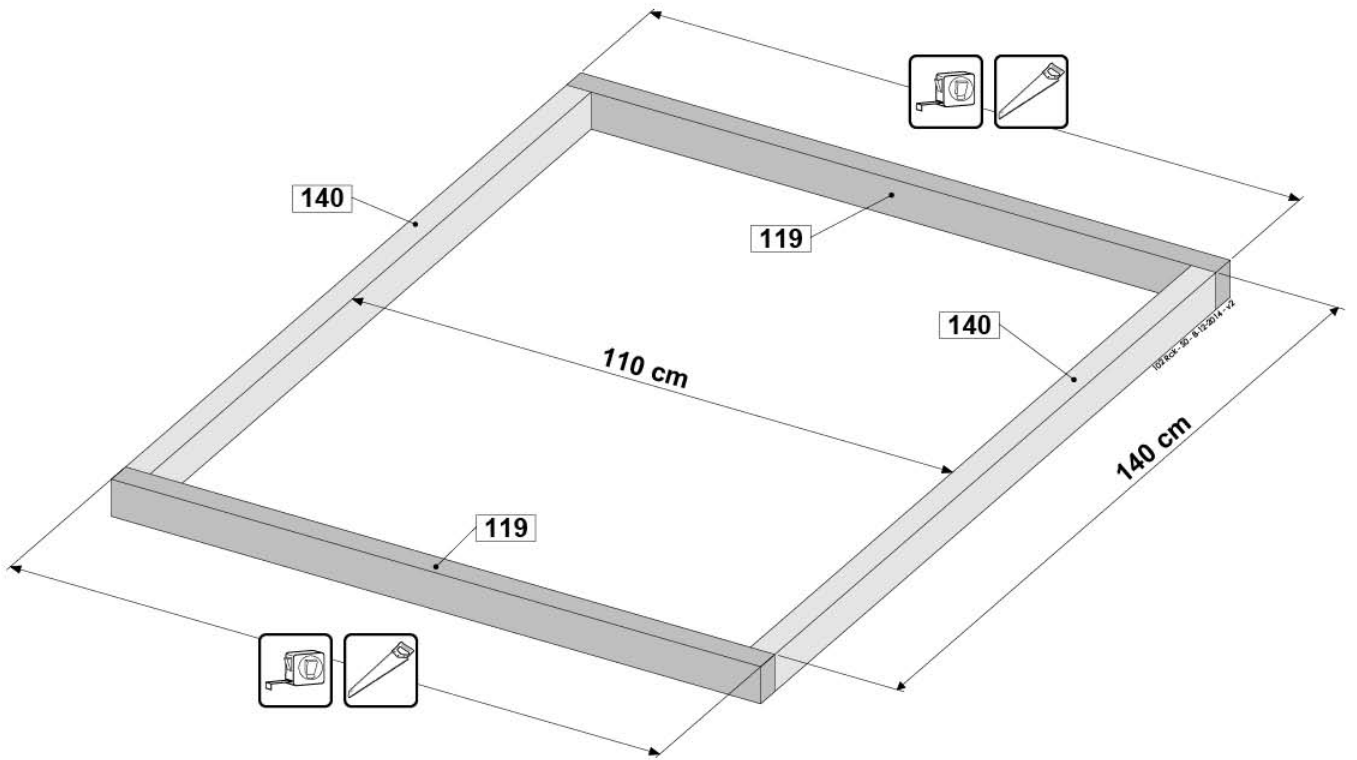


5.1n

6x  45 mm  ø17 mm 
 4x  45 mm

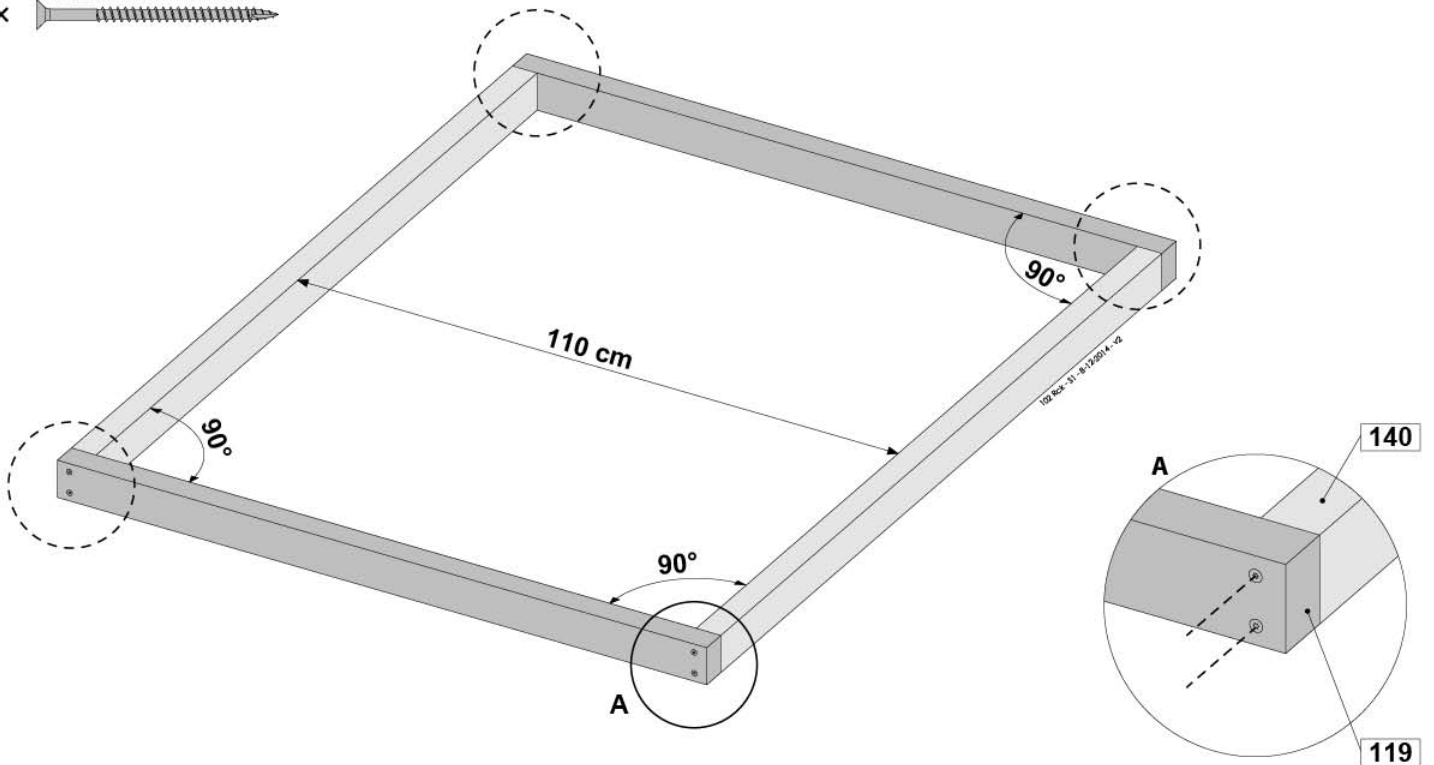


5.2a



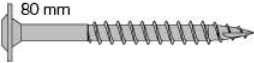
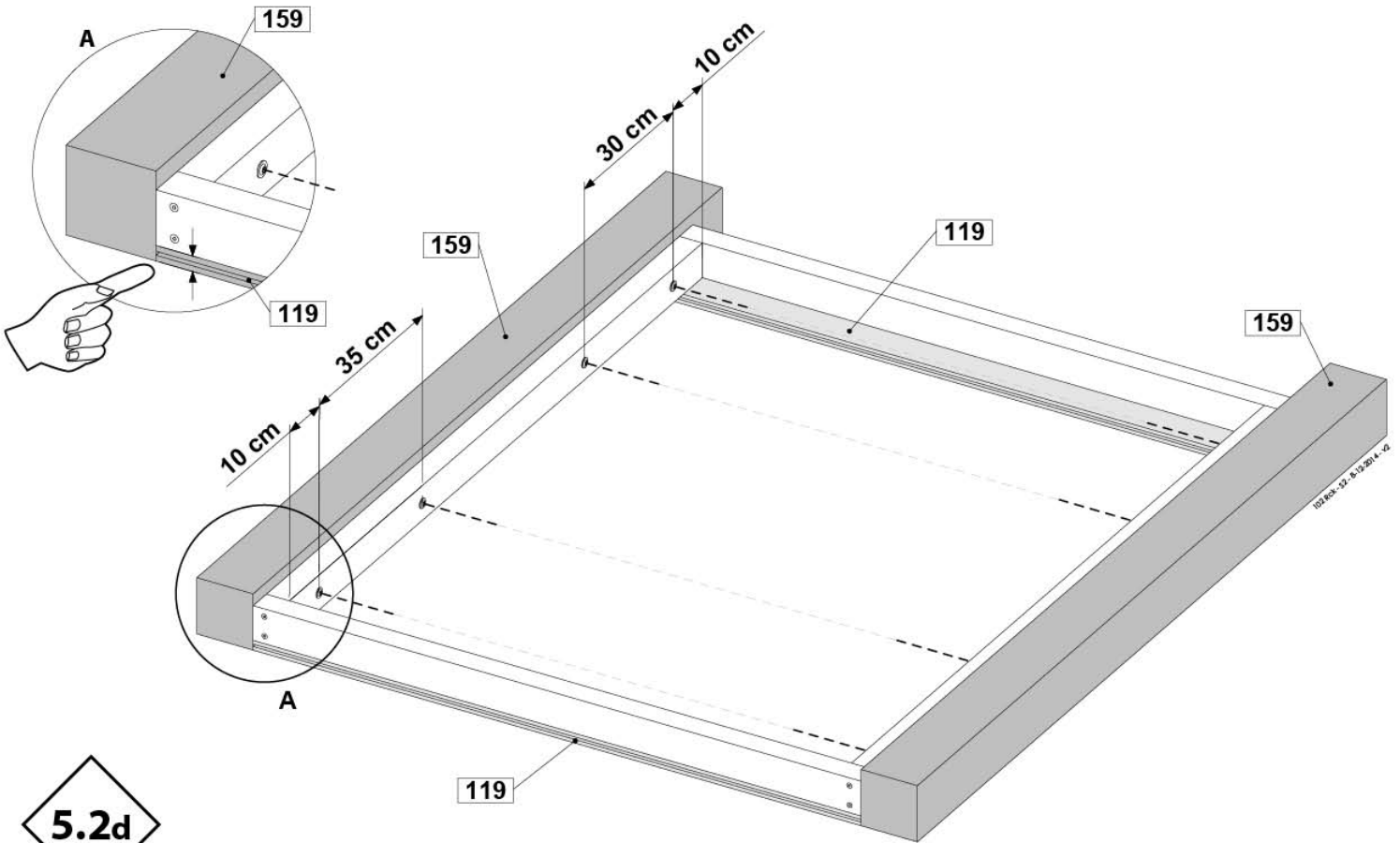
5.2b

8x 80 mm



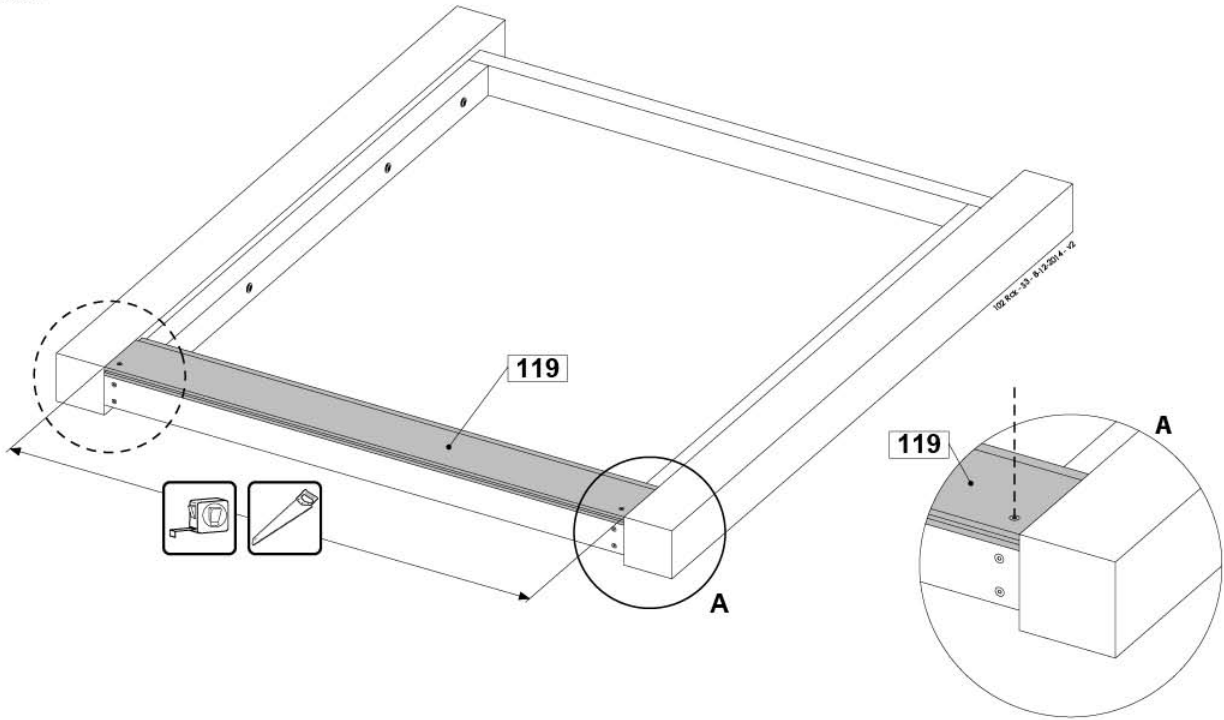
5.2c

8x 80 mm

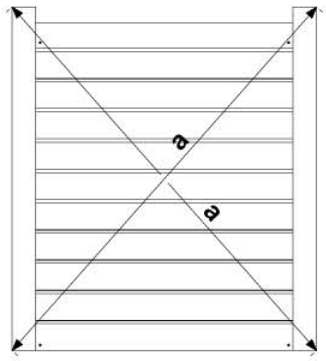
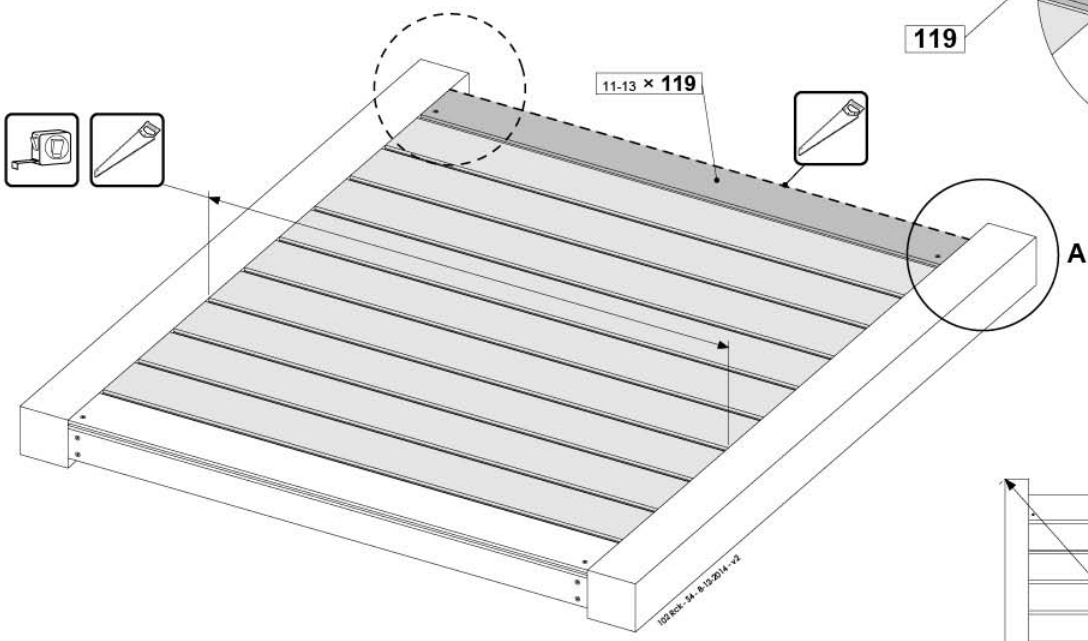
5.2d

2x 45 mm

5.2e

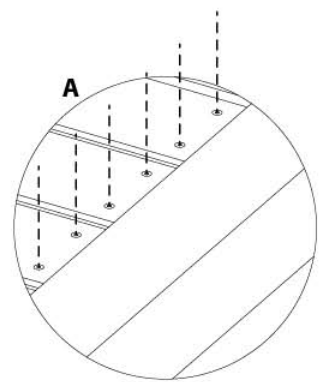
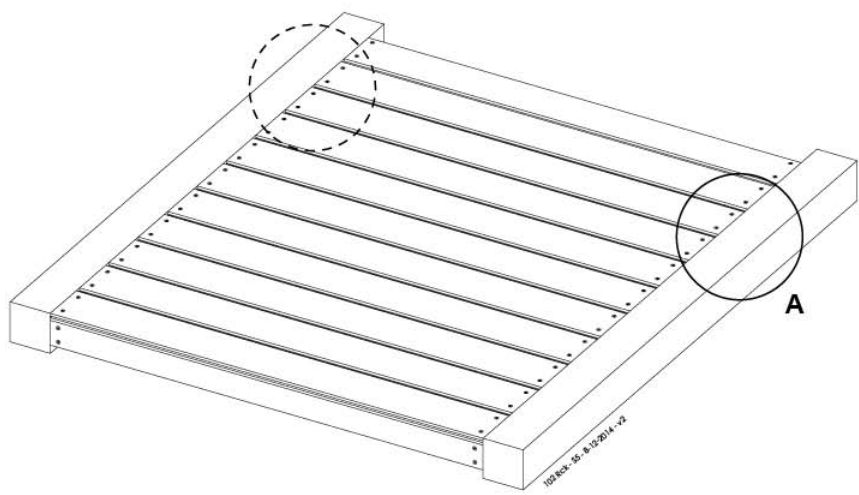
2x 45 mm



a = a

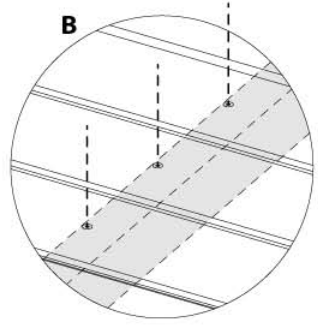
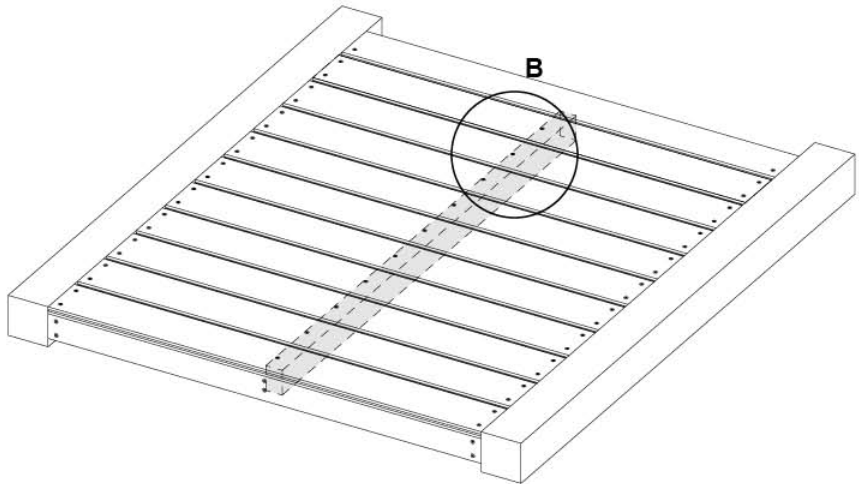
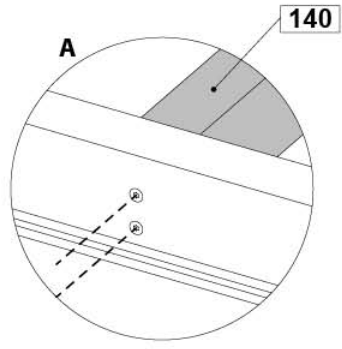
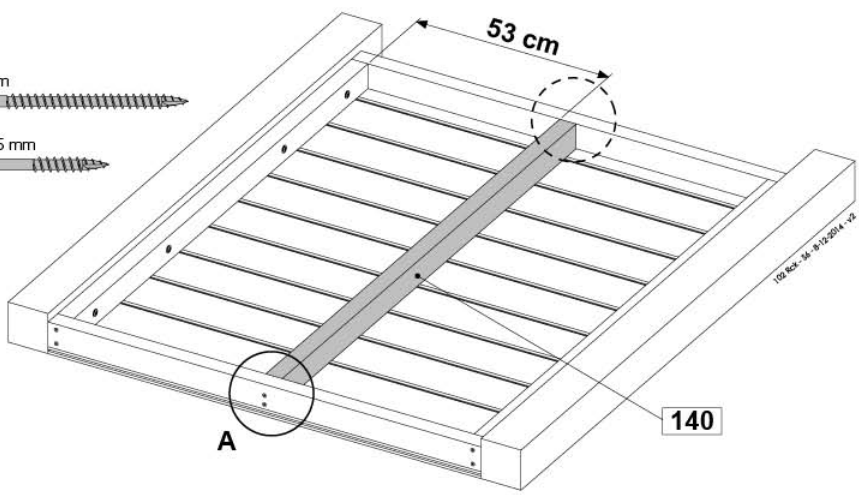
5.2f

44 - 52x 45 mm

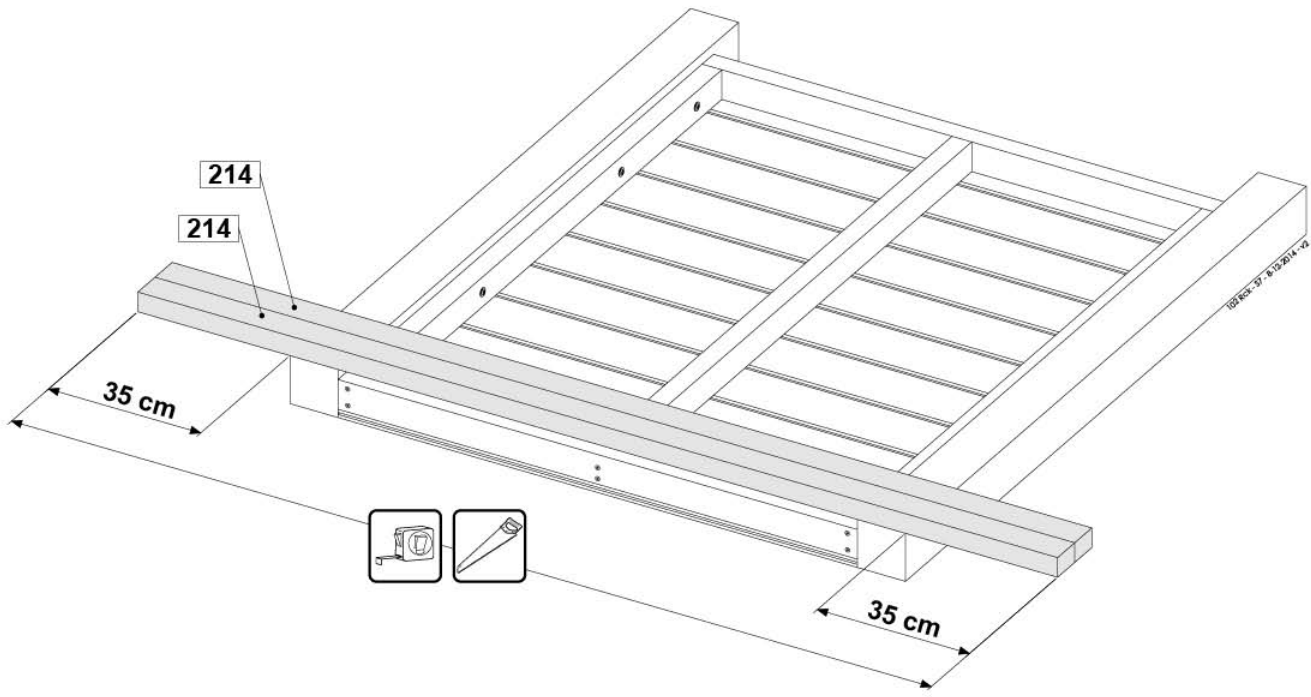


5.2g

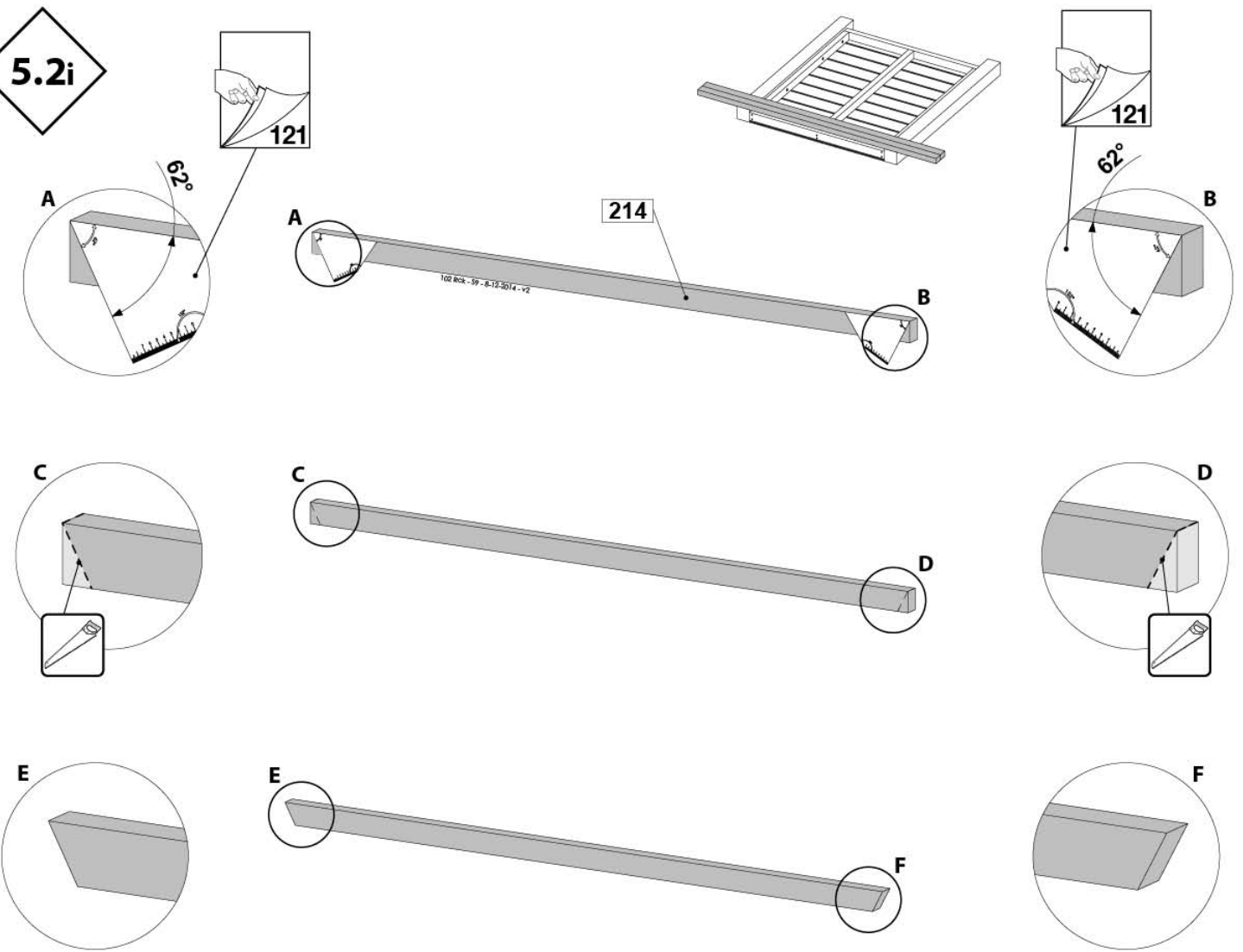
- 4x 80 mm
- 12 - 14x 45 mm



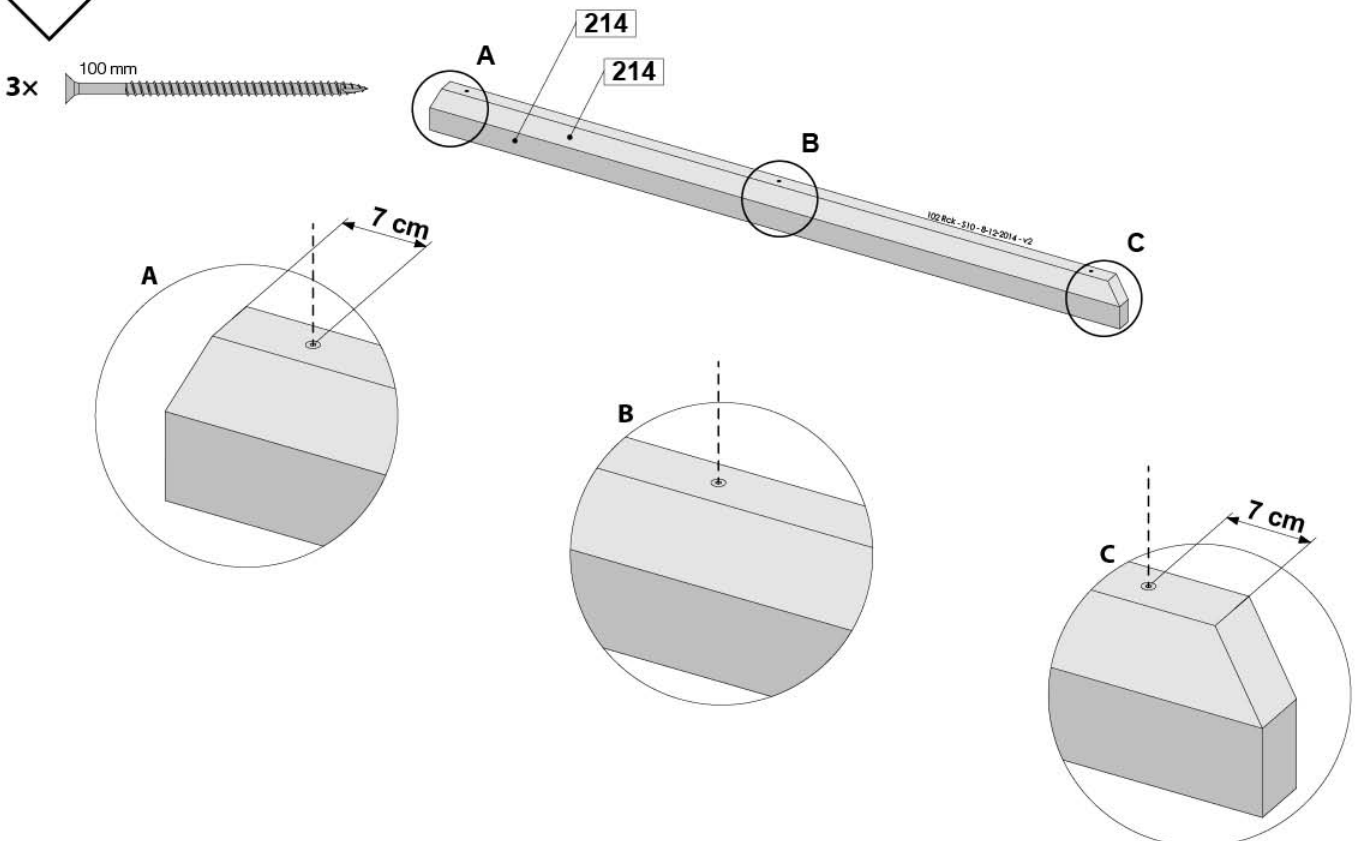
5.2h



5.2i

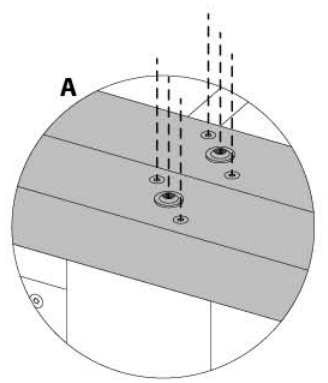
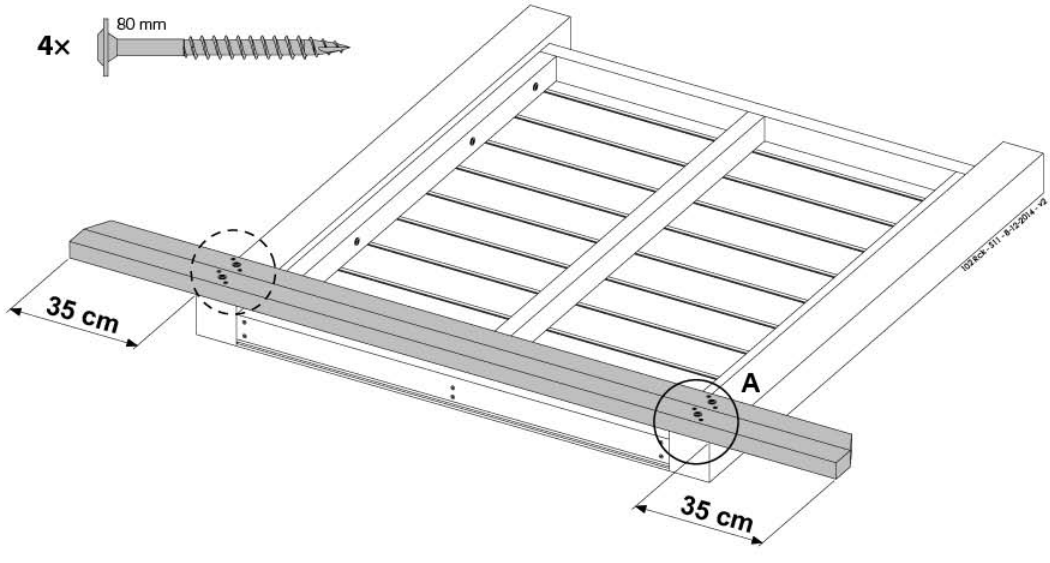


5.2j



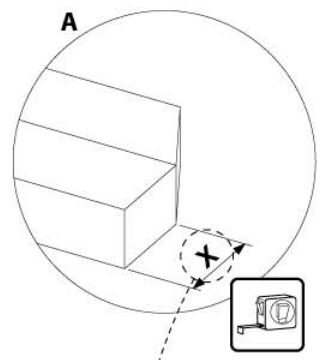
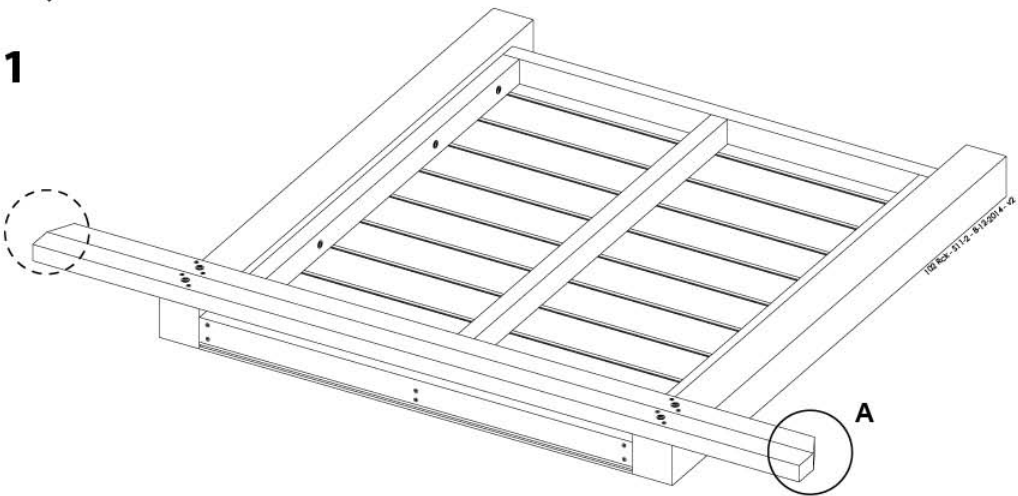
5.2k

- 8x 80 mm
- 4x 80 mm

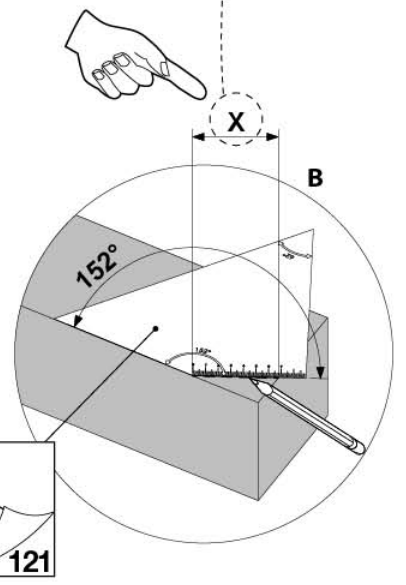
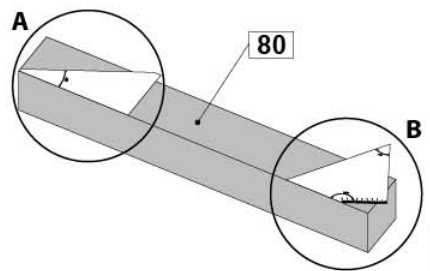
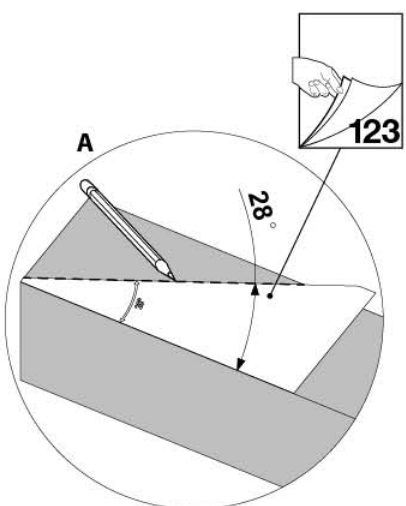


5.2L

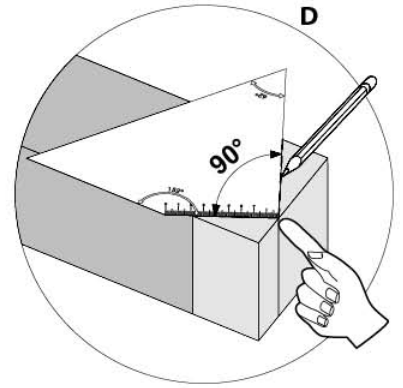
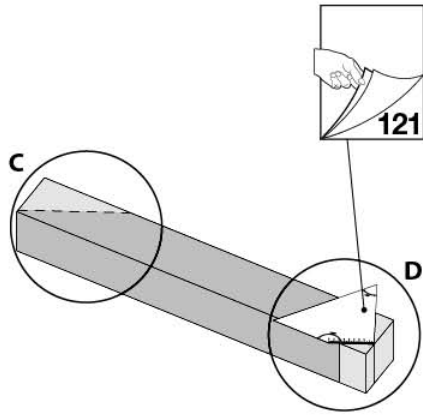
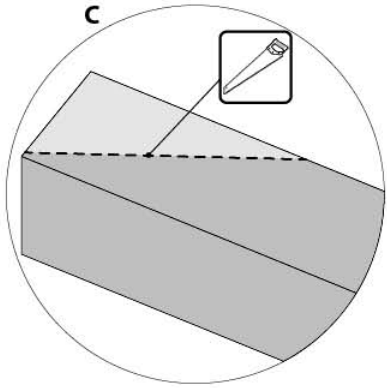
1



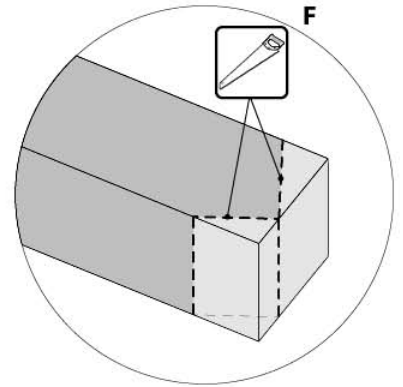
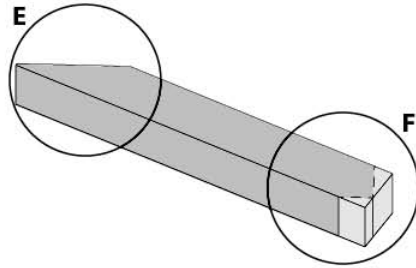
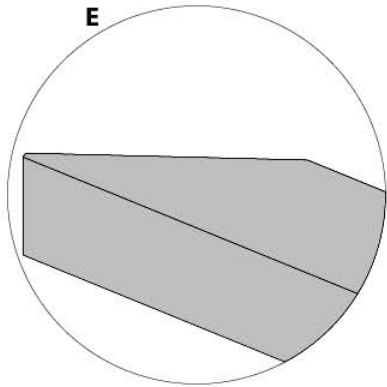
2



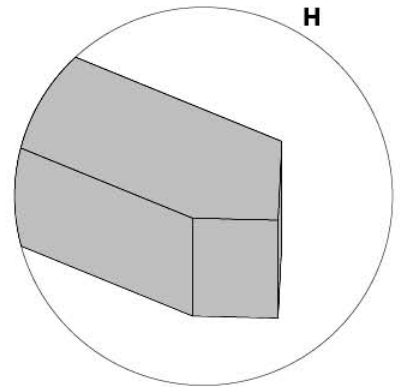
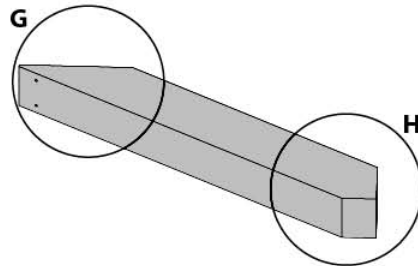
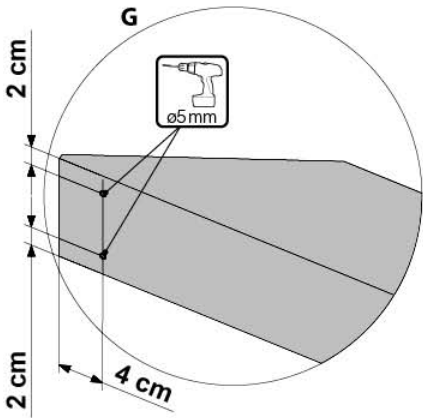
3



4



5

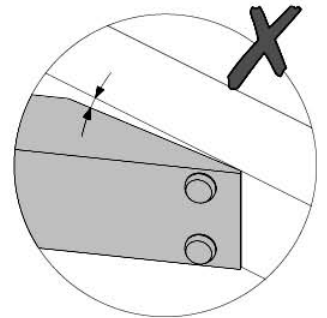
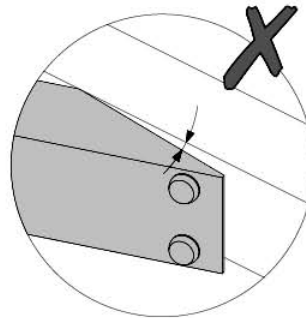
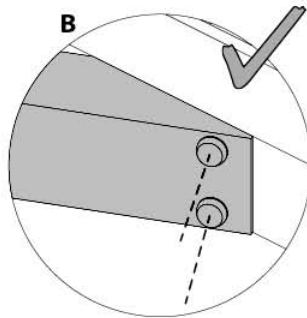
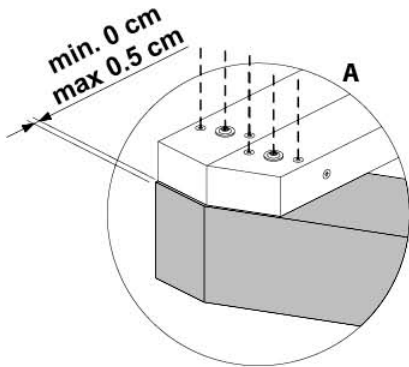
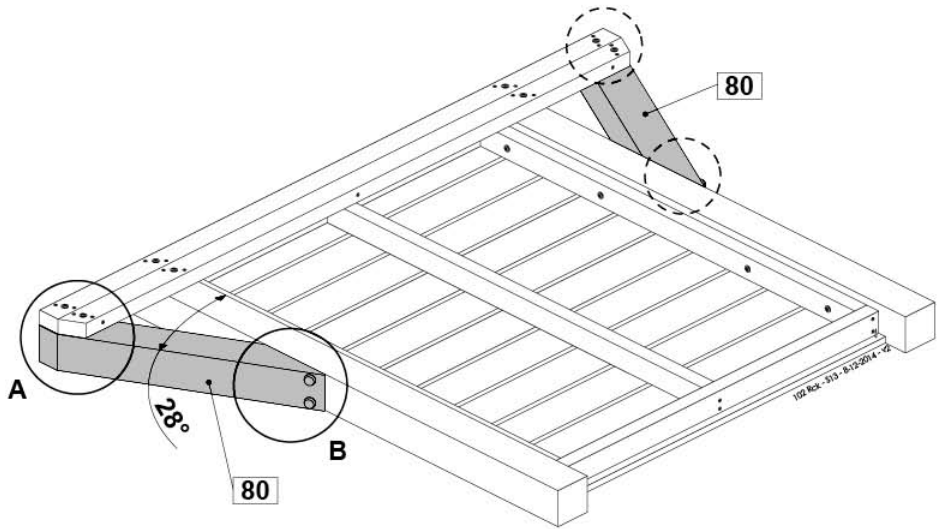
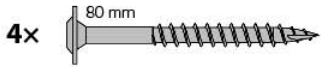
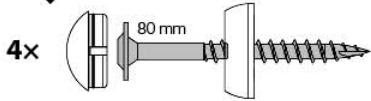


6

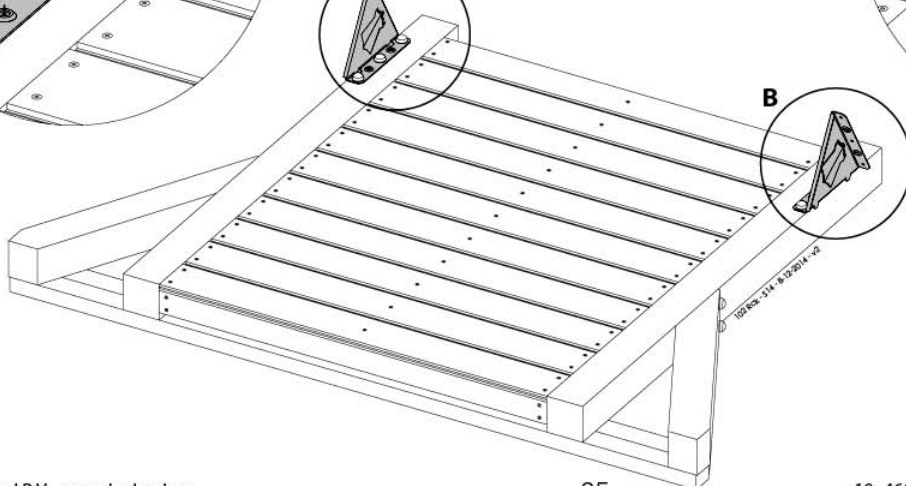
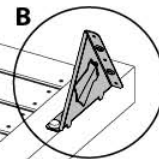
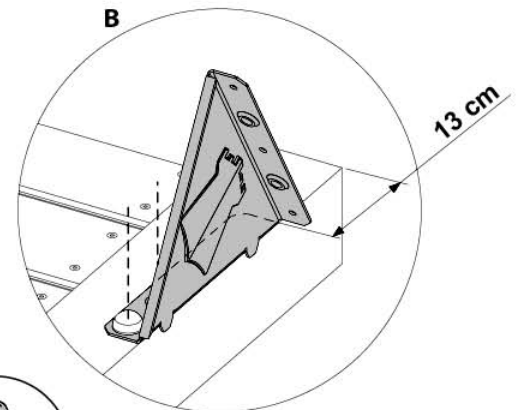
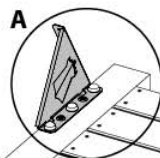
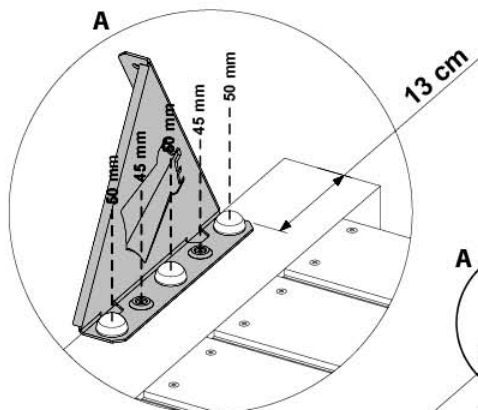
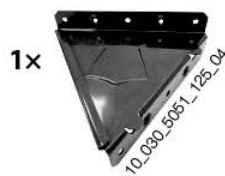
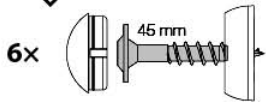
5.2L 1 - 5

2x

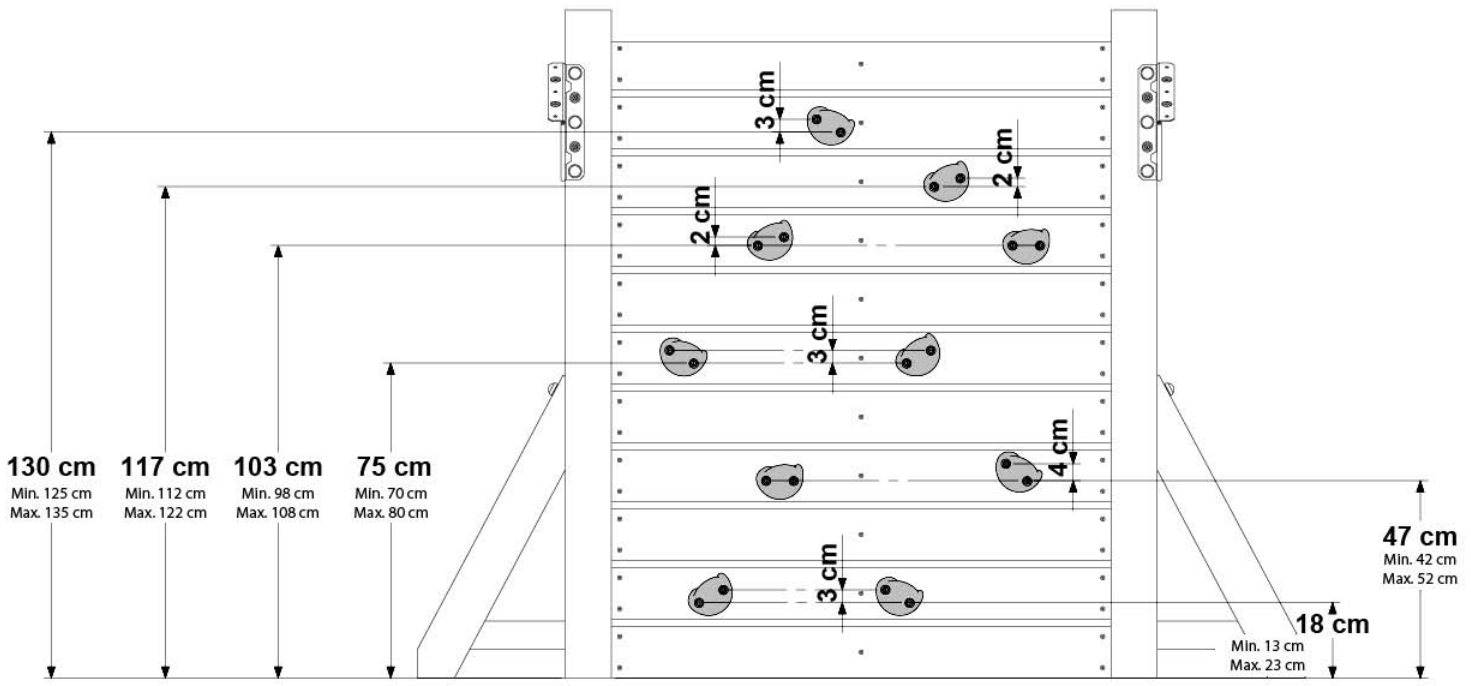
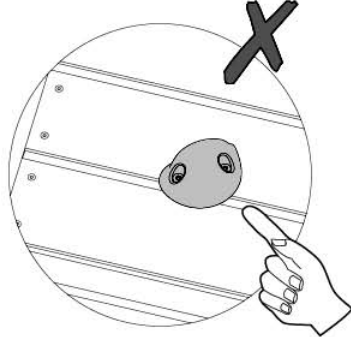
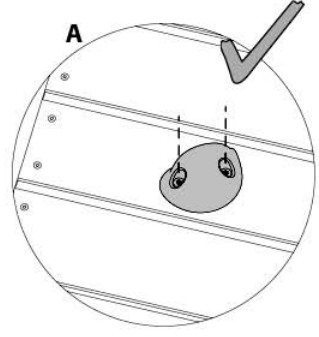
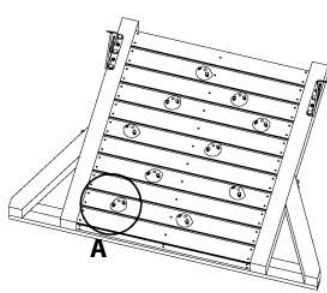
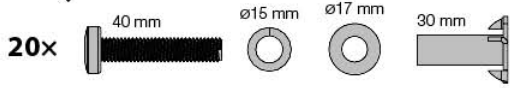
5.2m



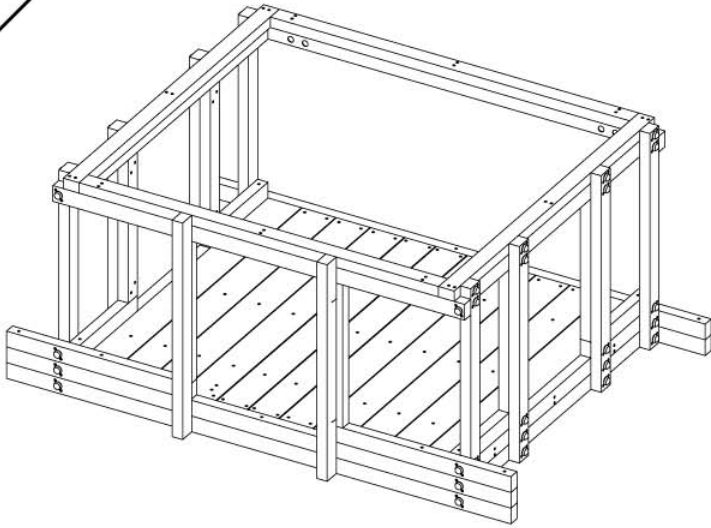
5.2n



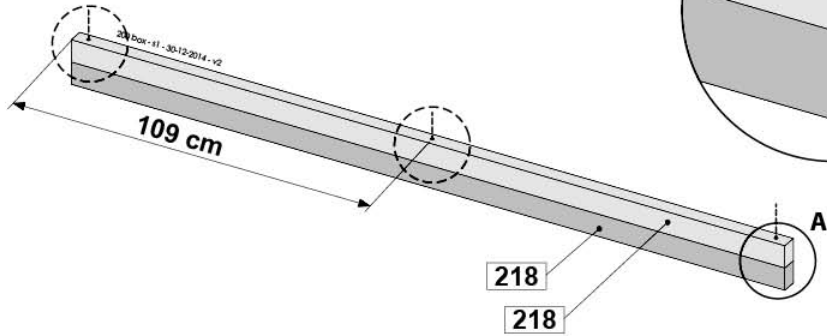
5.2o



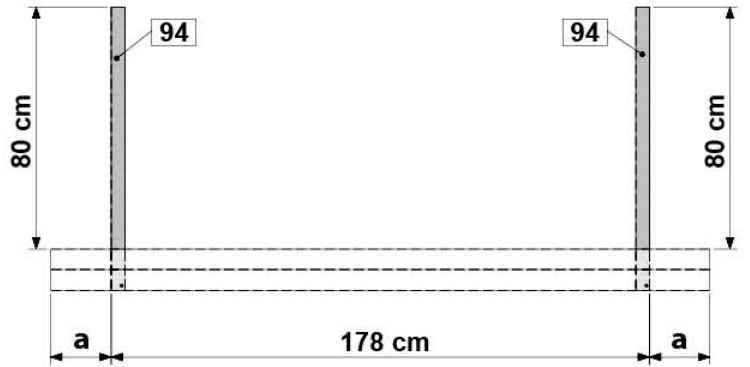
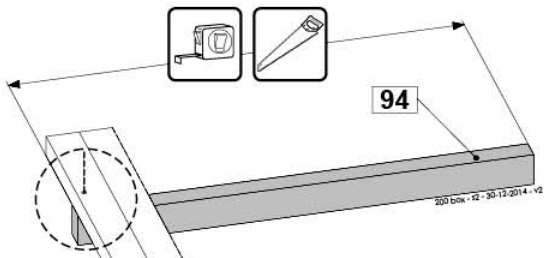
6



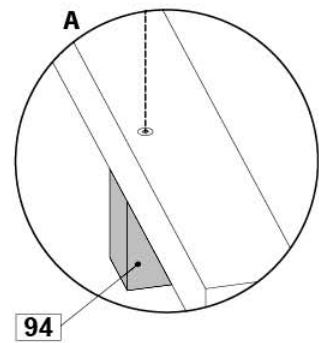
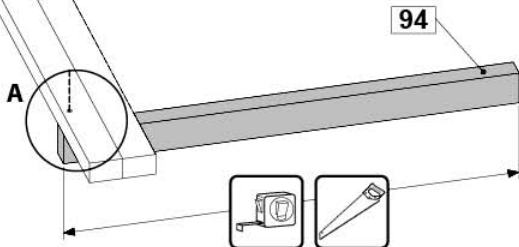
6a



6b

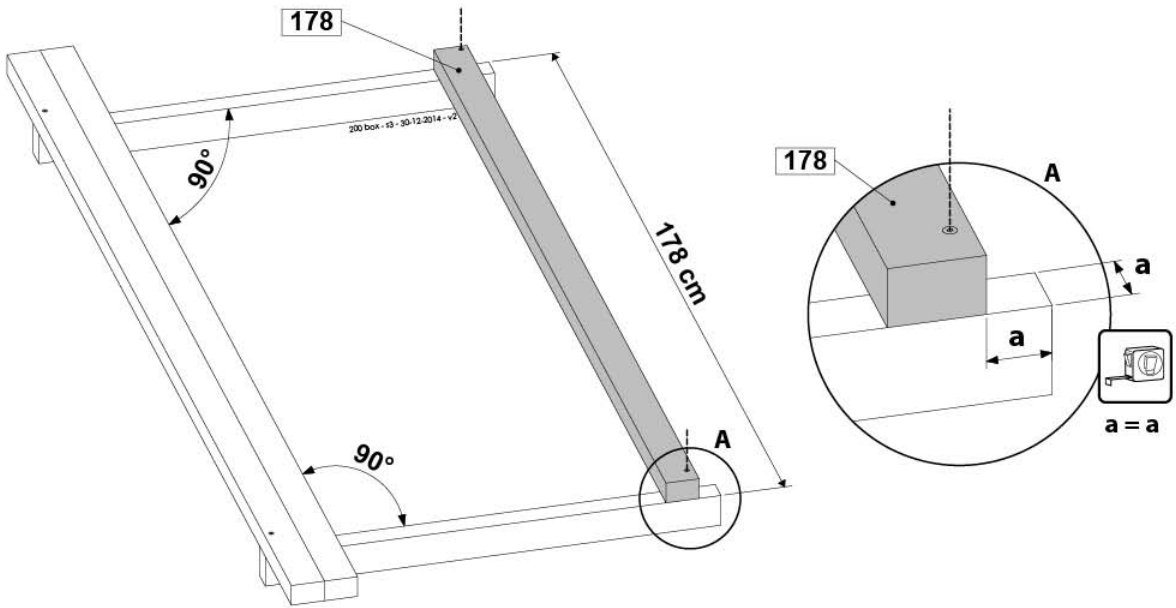


a = a

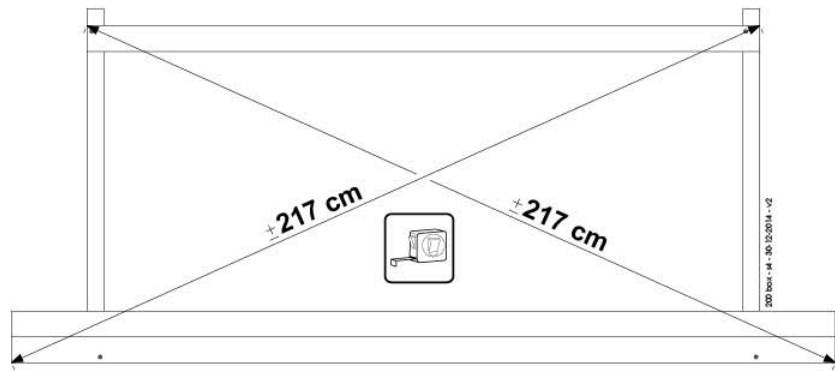


6c

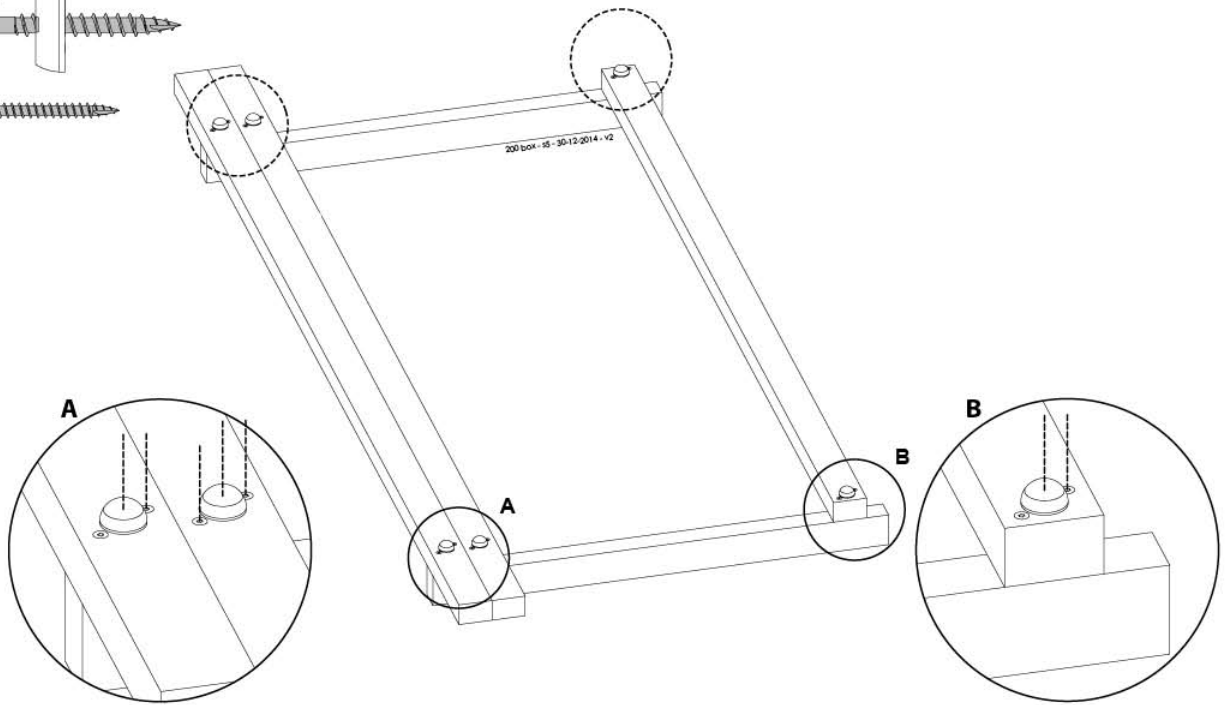
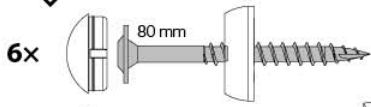
2x 80 mm 



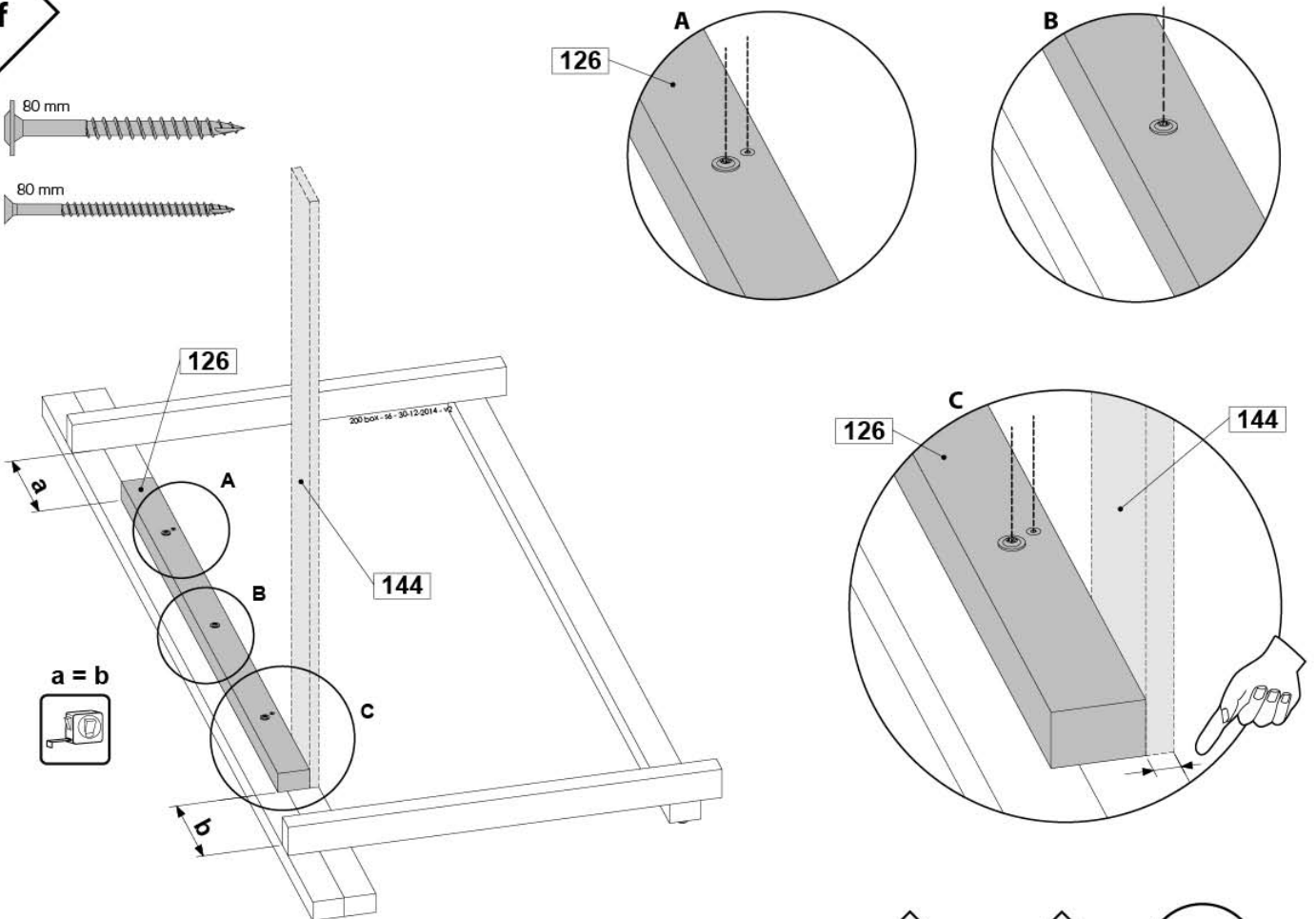
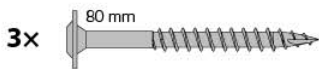
6d



6e



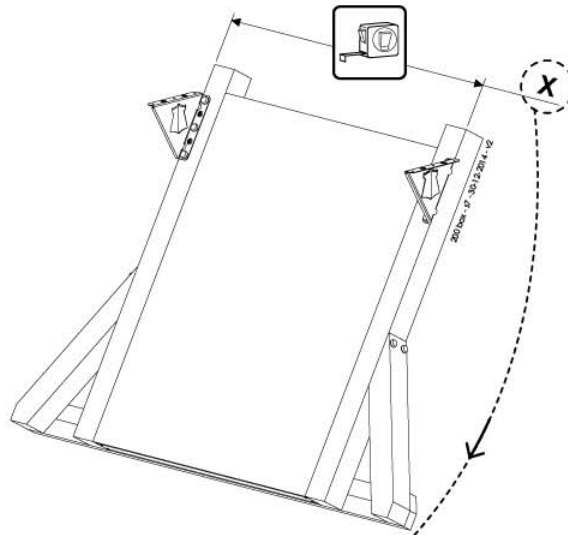
6f



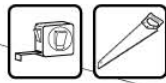
6a — **6f** **2x**

6g

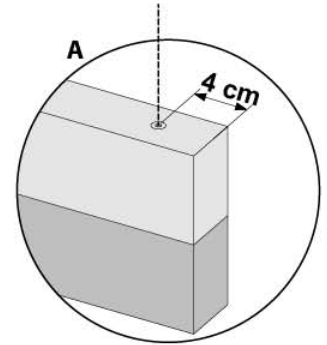
6x 100 mm



144
144



X

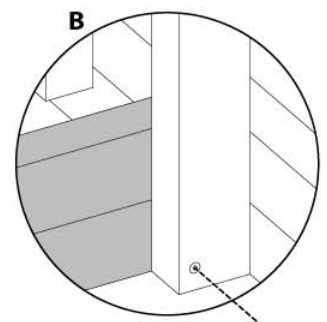
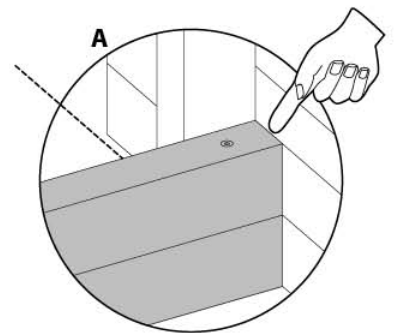
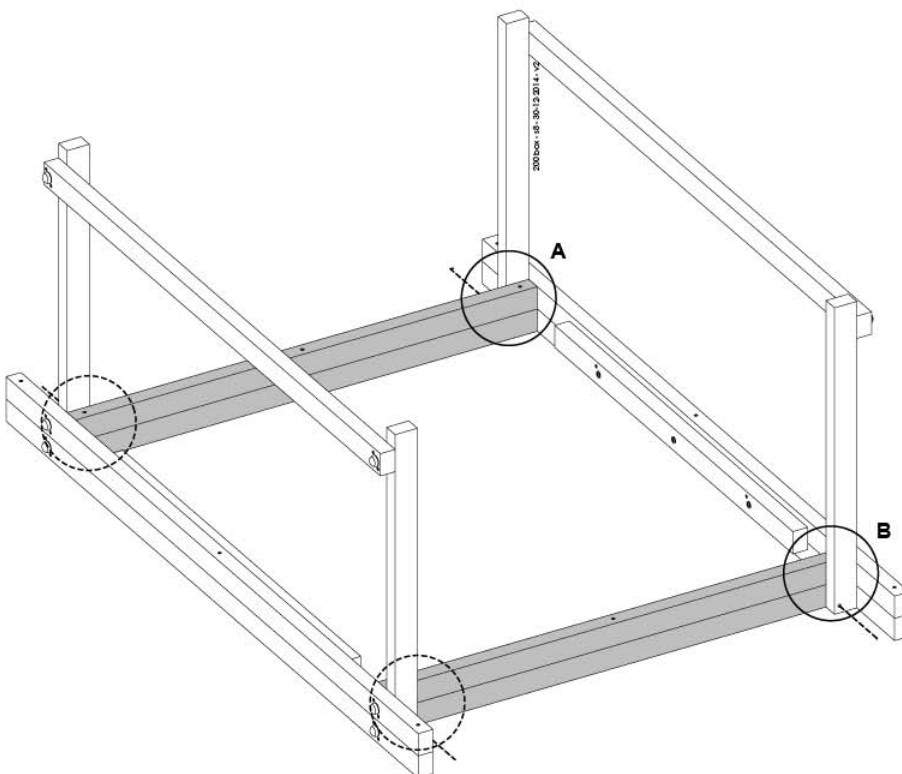


6g

2x

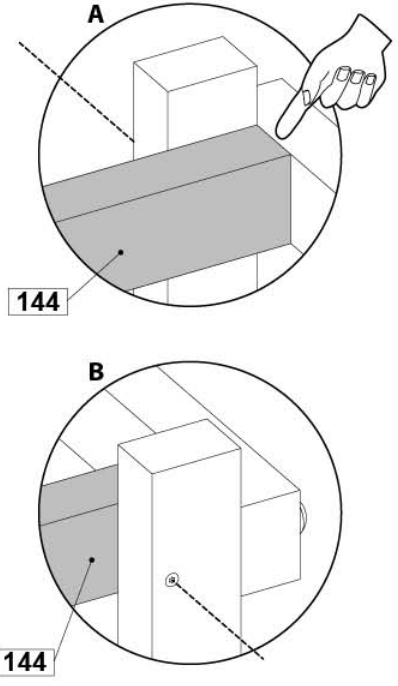
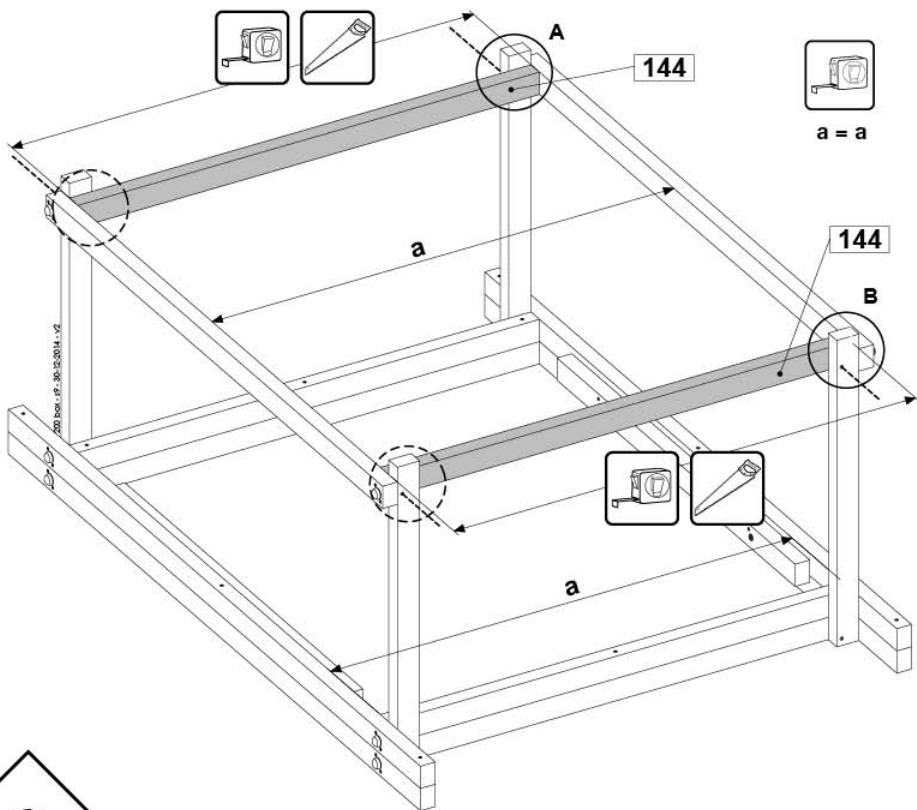
6h

4x 80 mm

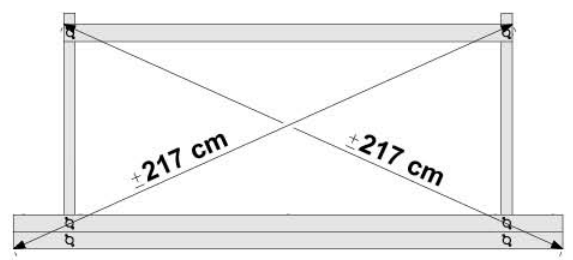
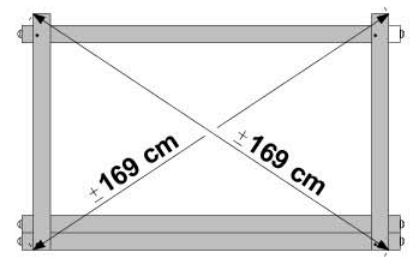
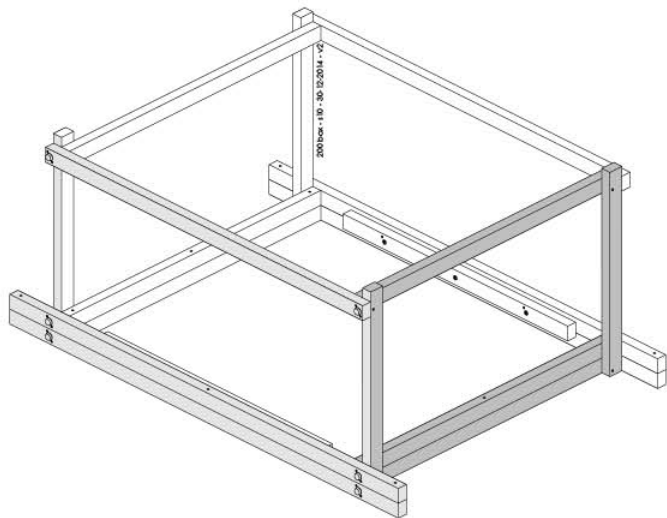


6i

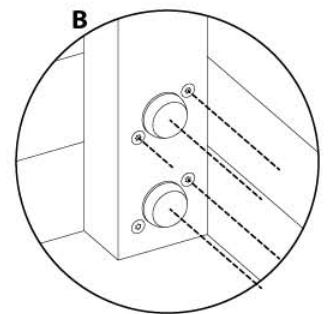
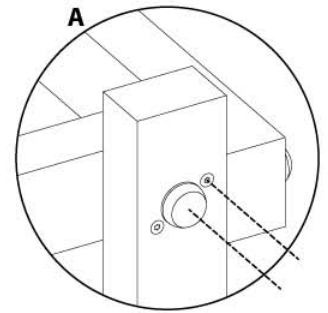
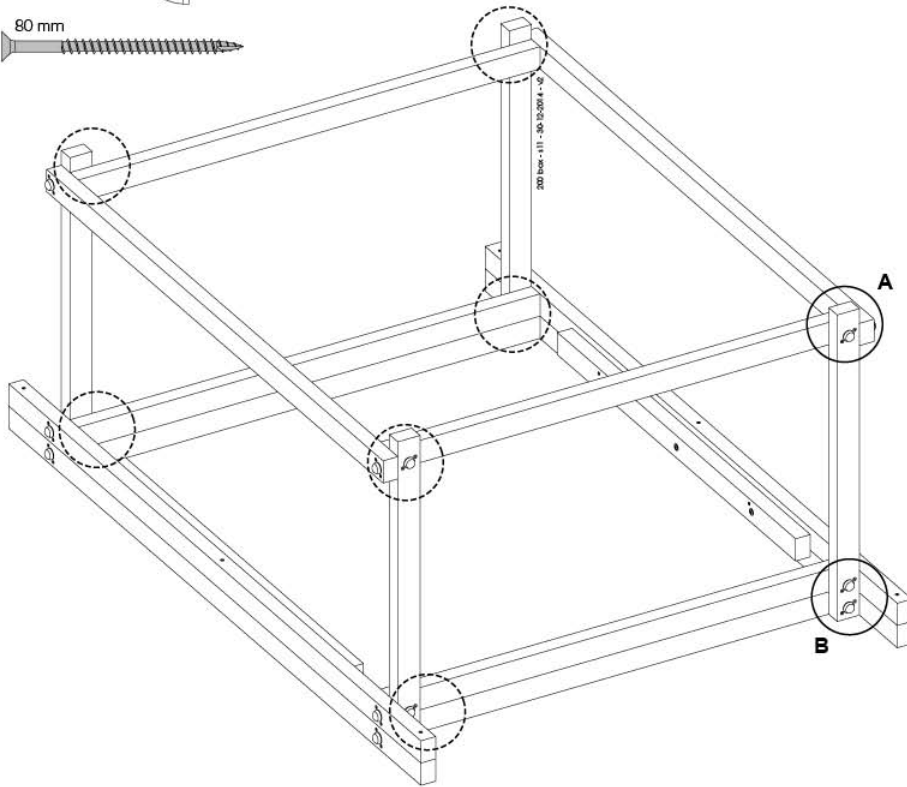
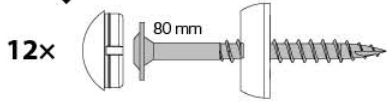
4x 80 mm 



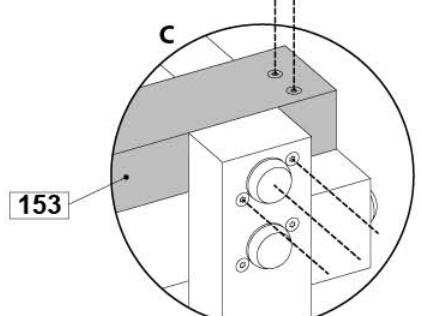
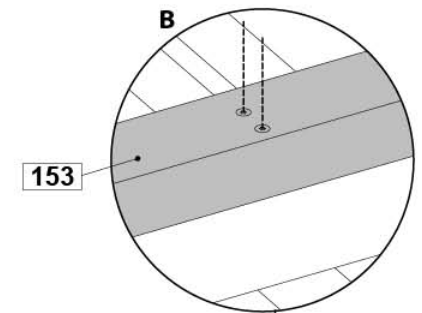
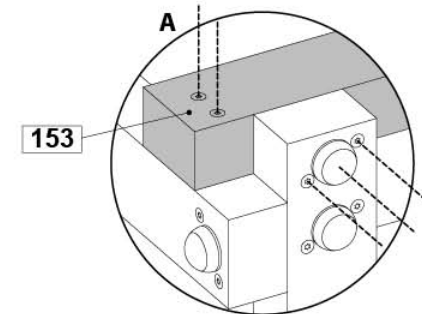
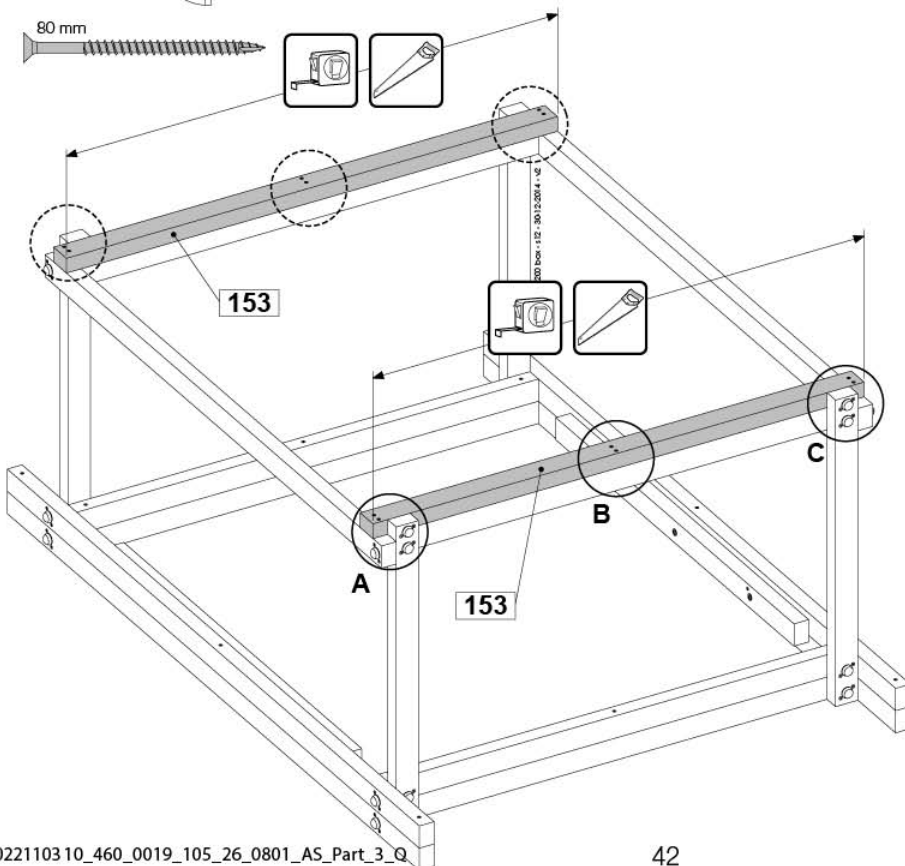
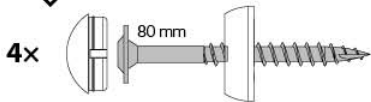
6j



6k

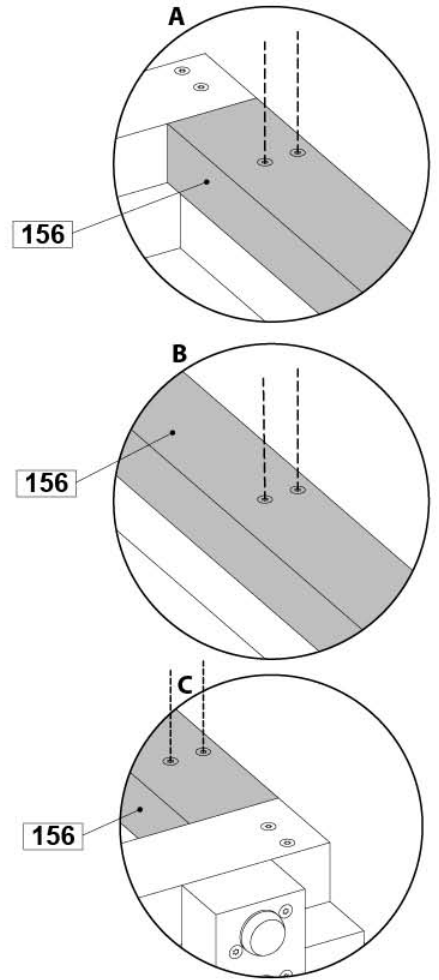
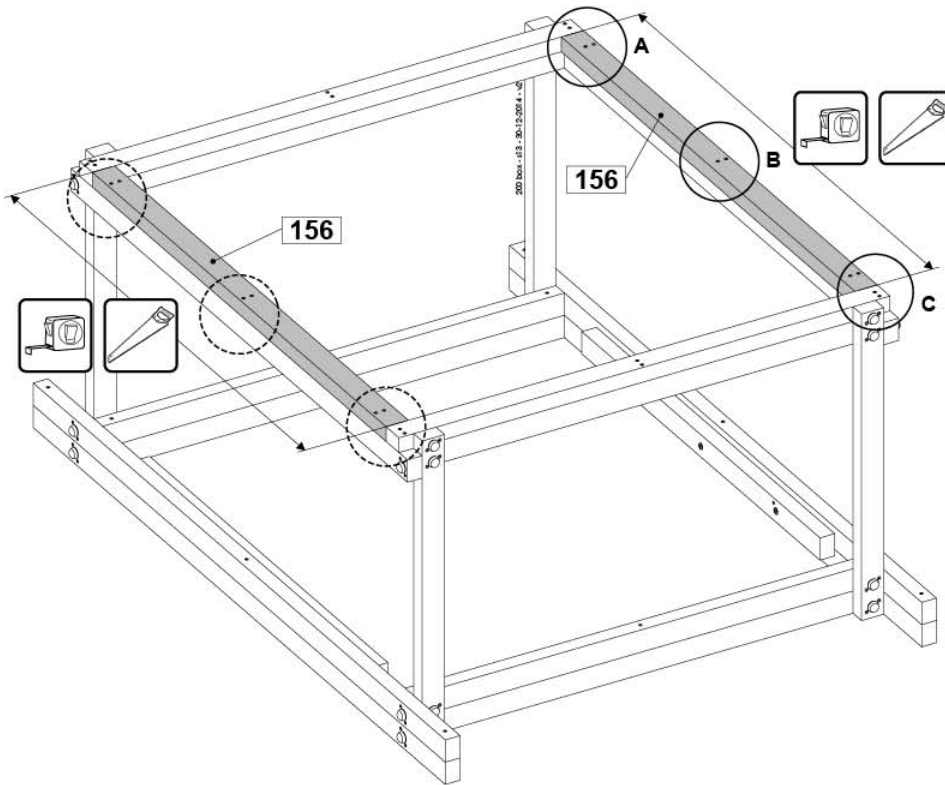


6L



6m

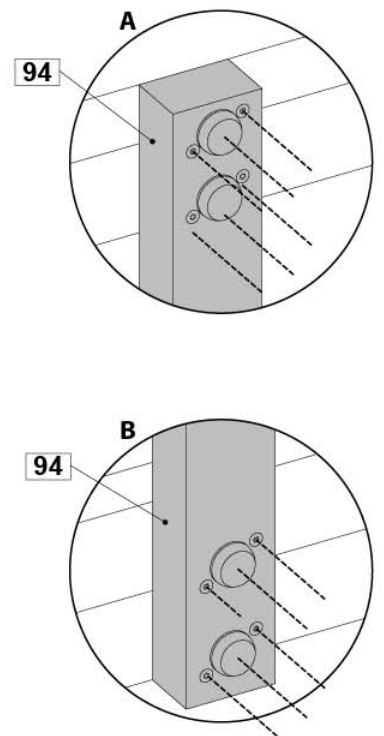
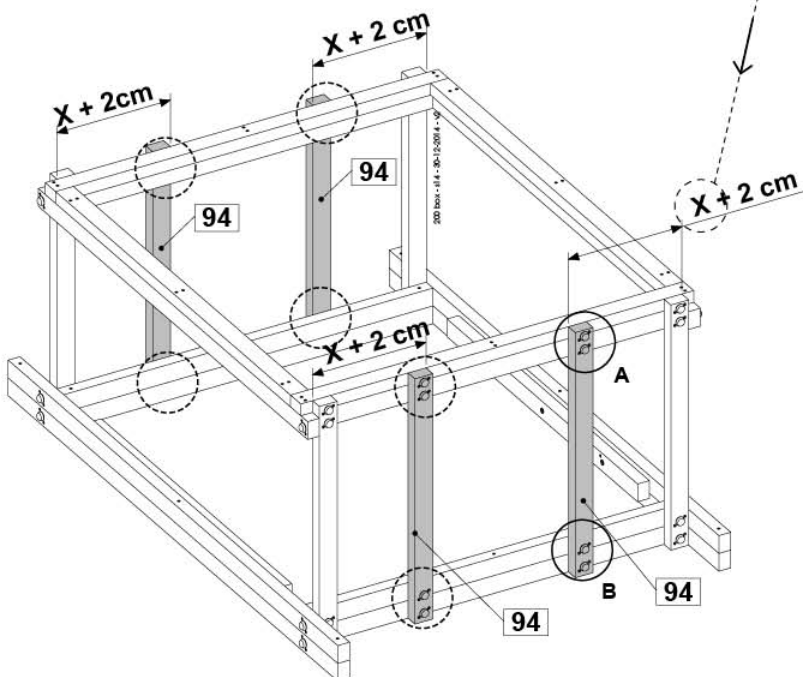
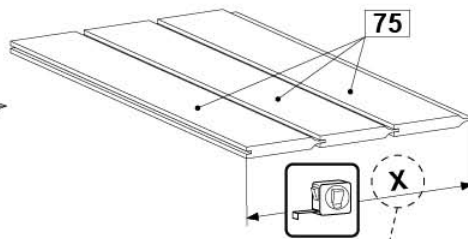
12x 80 mm



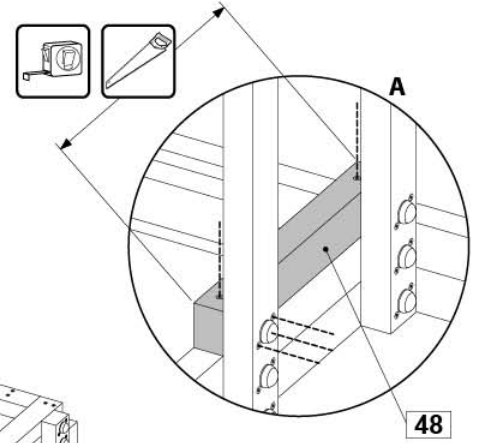
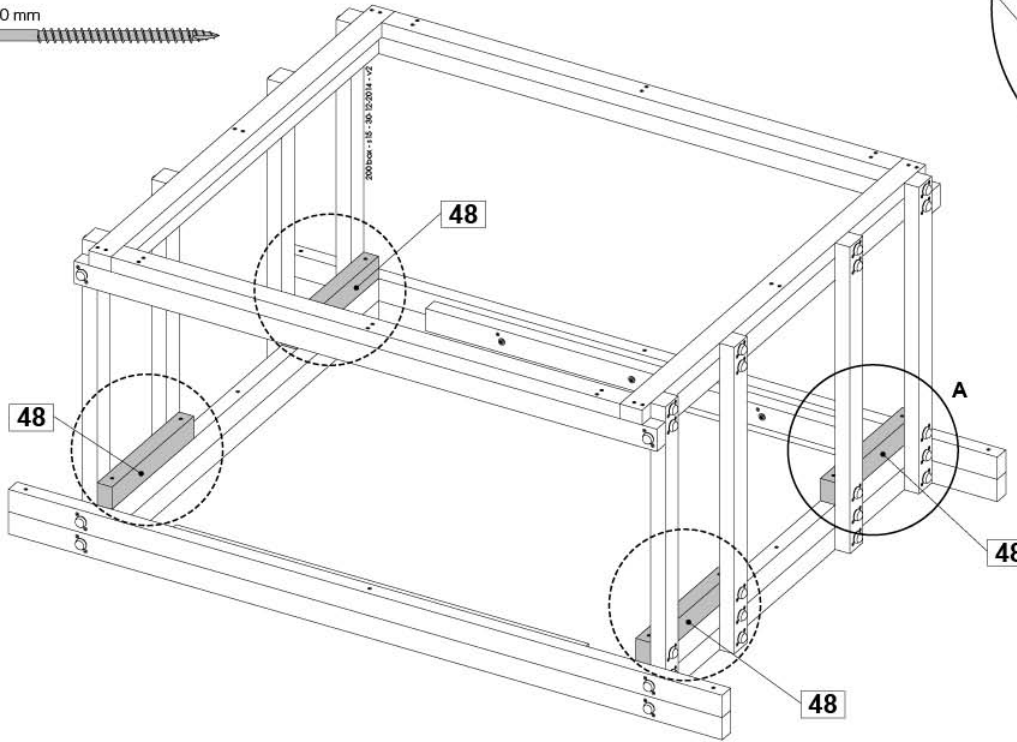
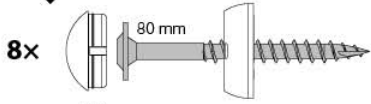
6n

16x 80 mm

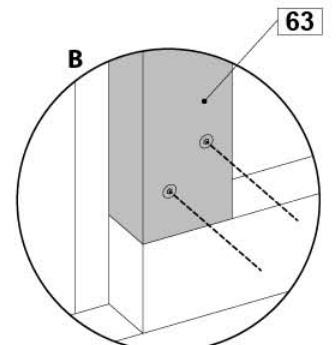
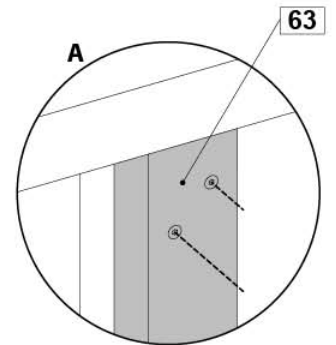
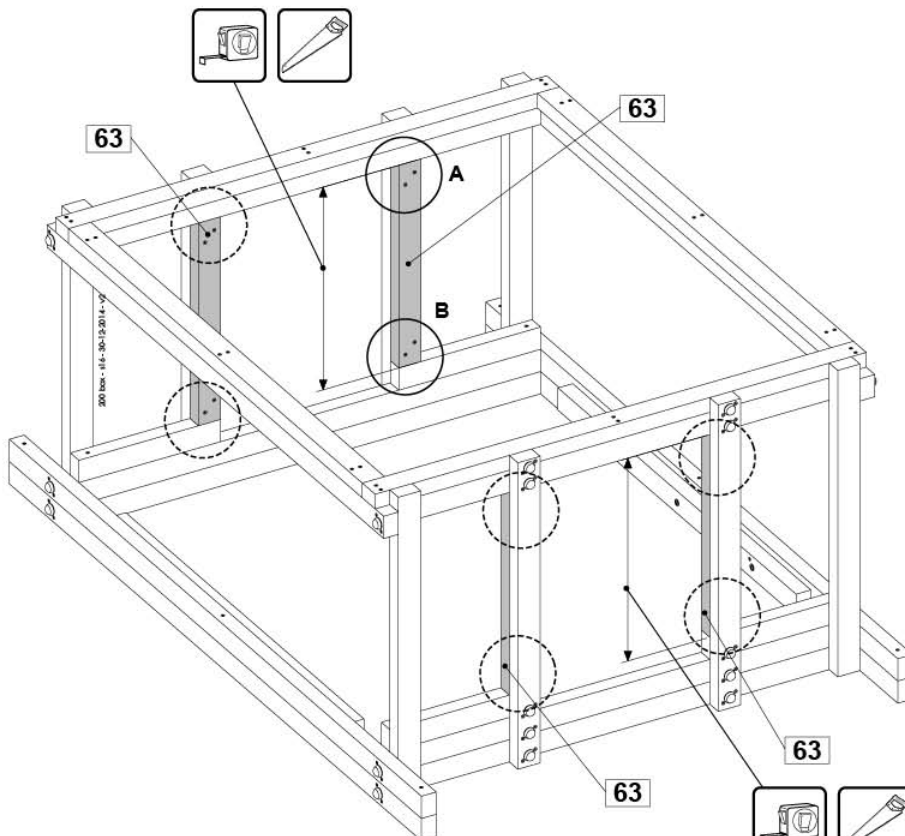
32x 80 mm




6o

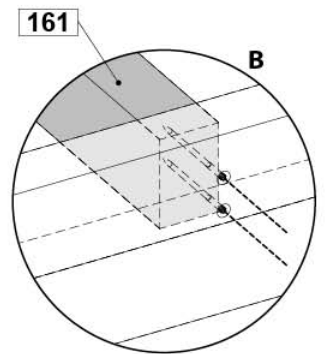
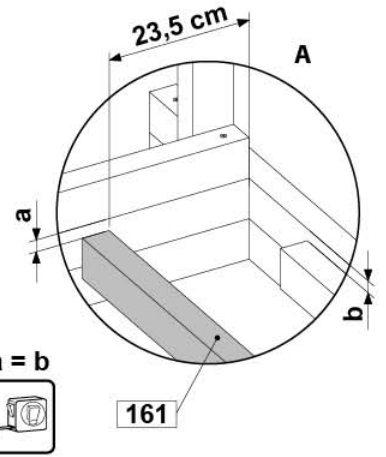
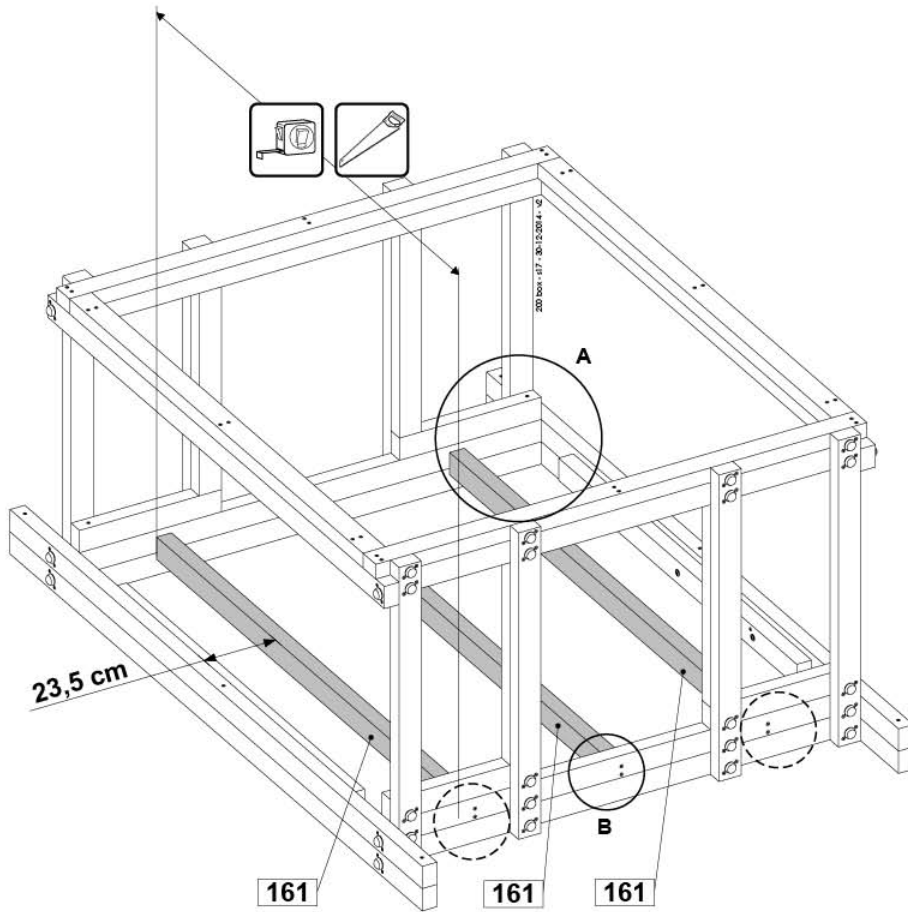


6p

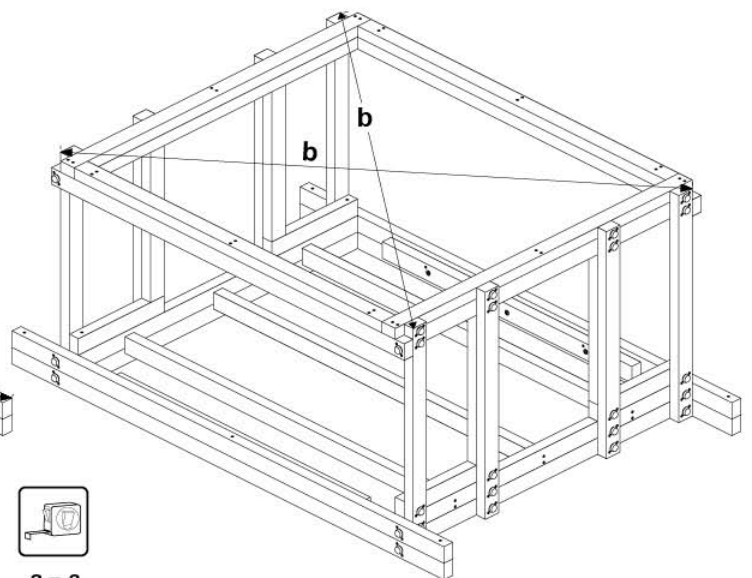
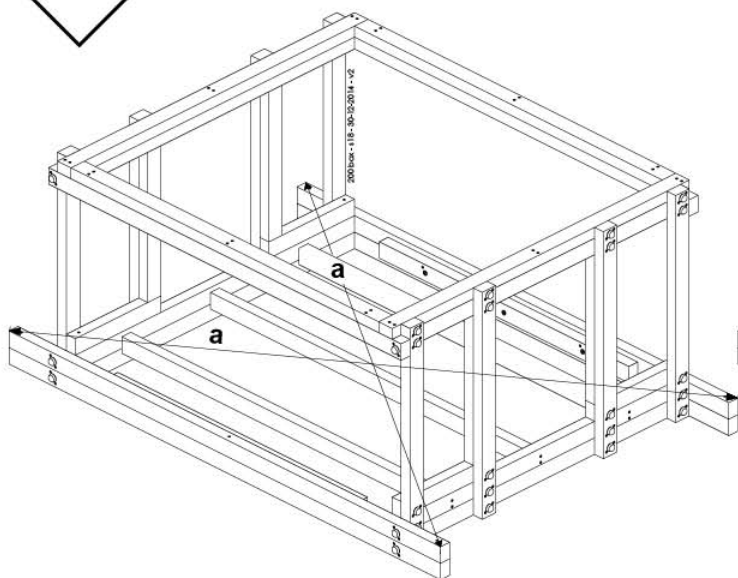


6q

12x 80 mm 

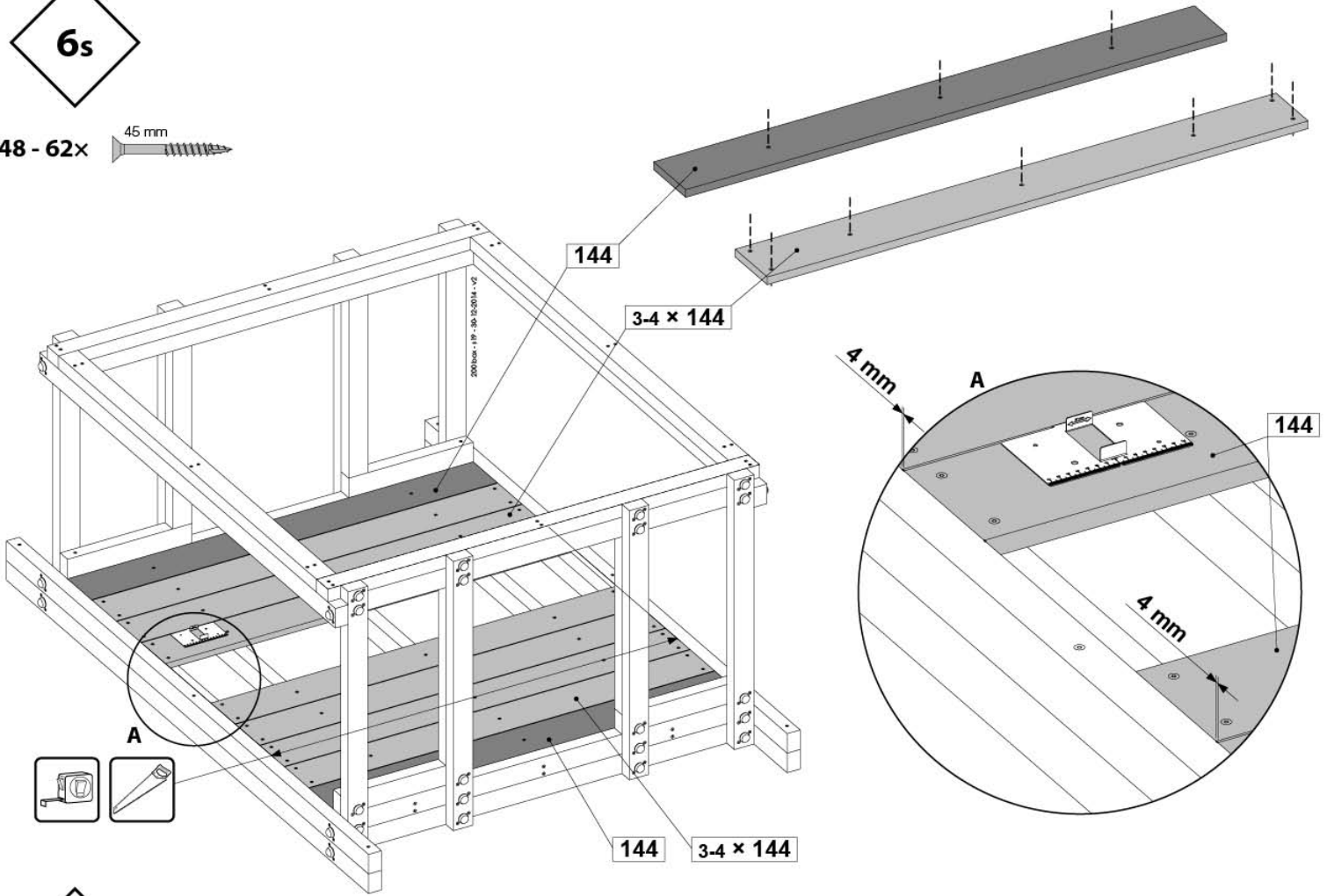


6r

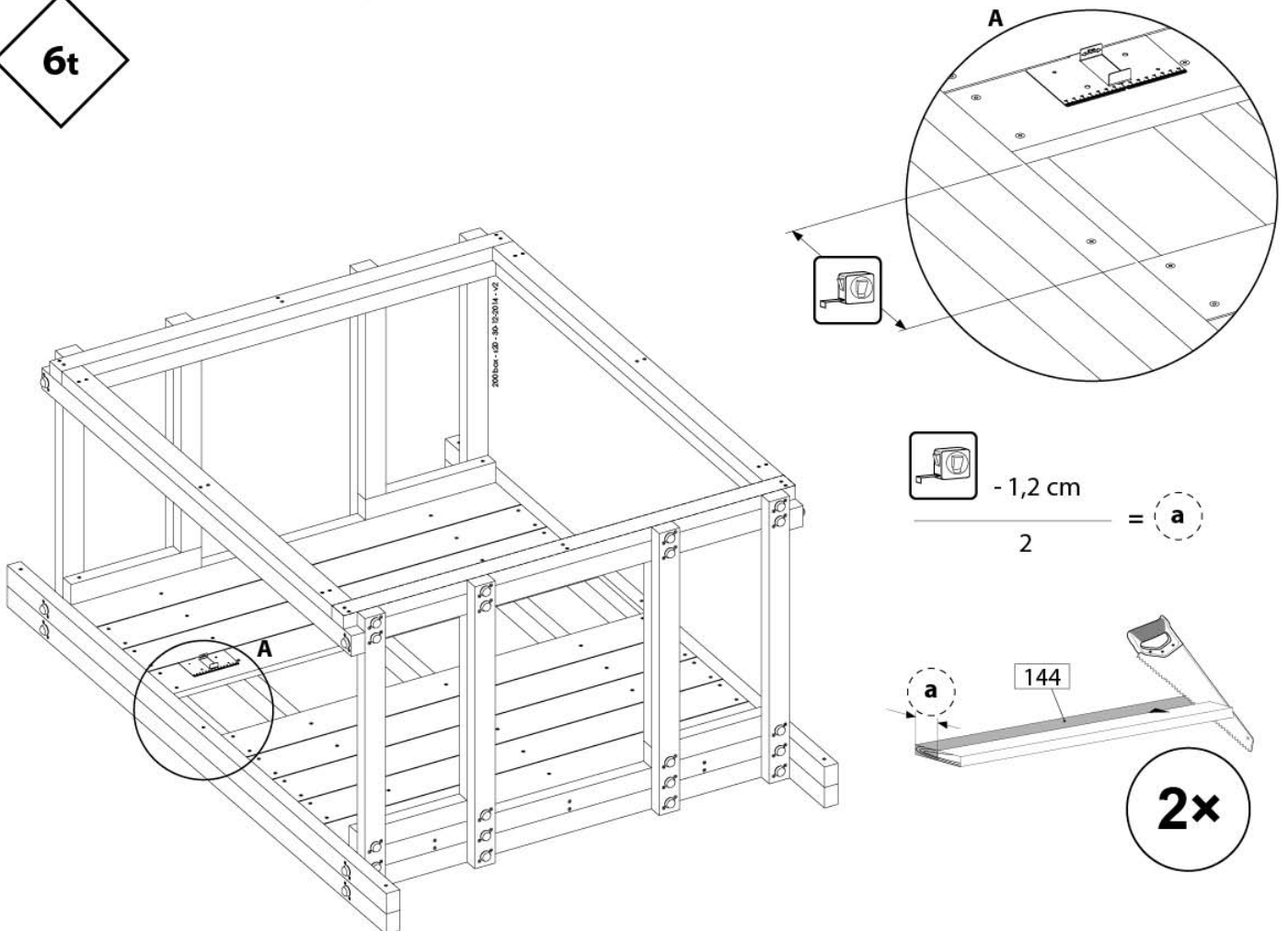


6s

48 - 62x  45 mm

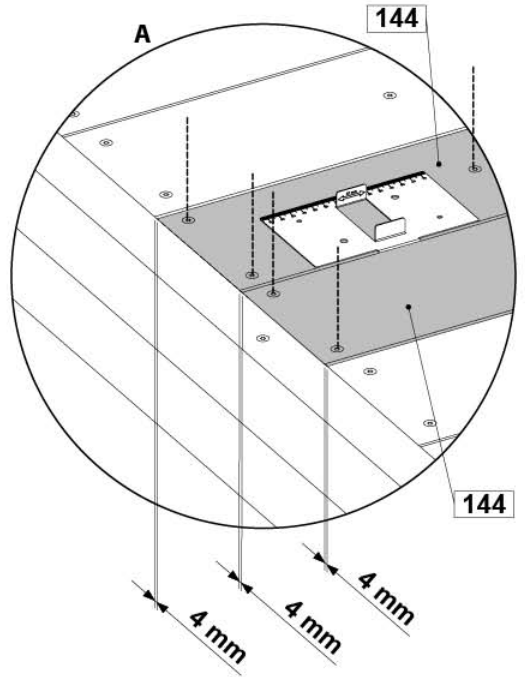
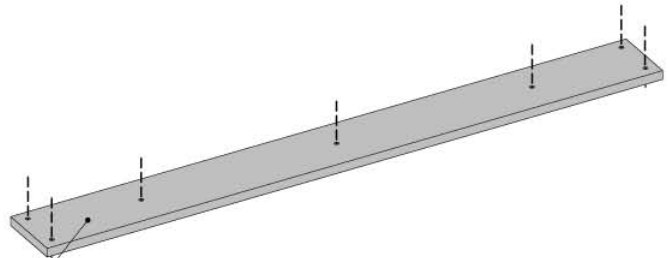
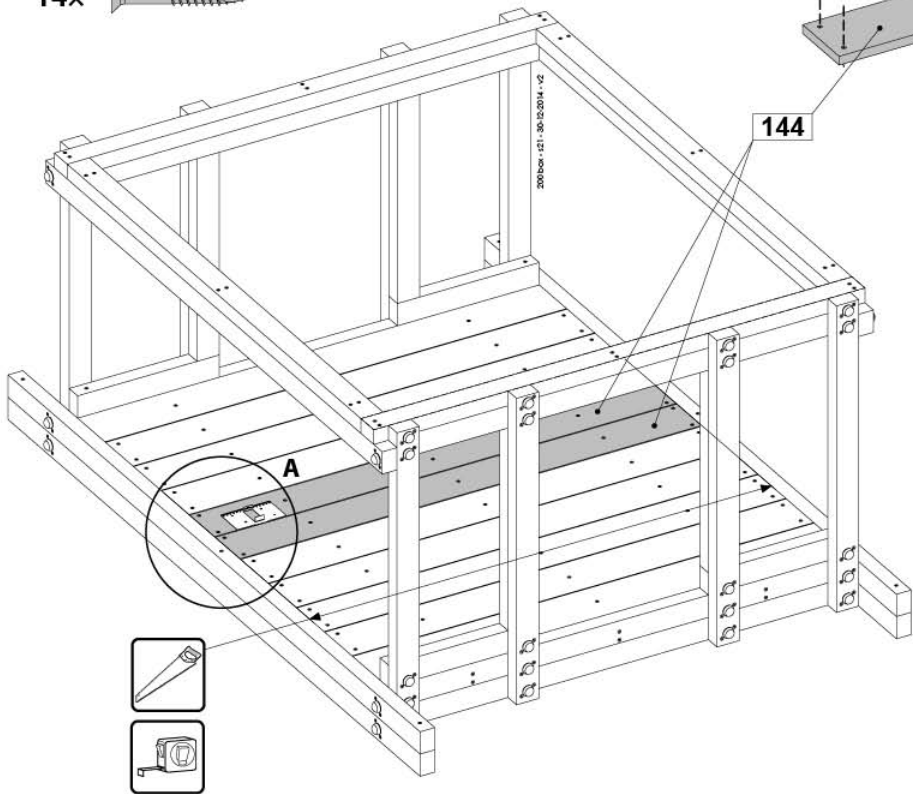


6t



6u

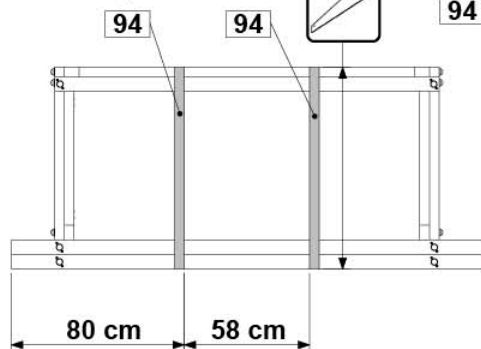
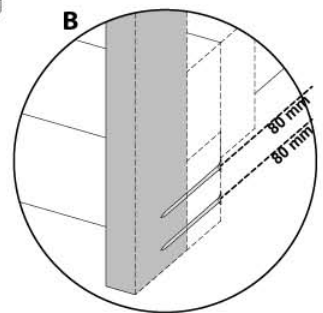
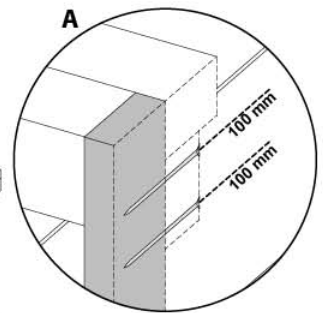
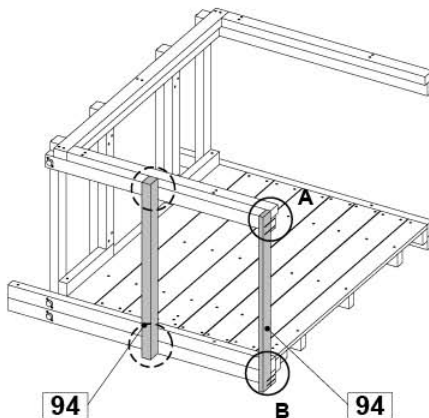
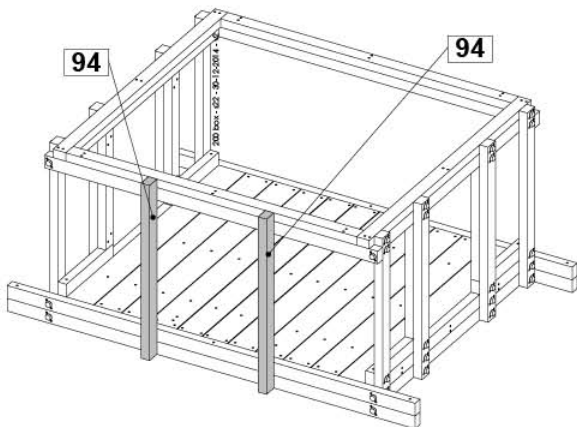
14x 45 mm



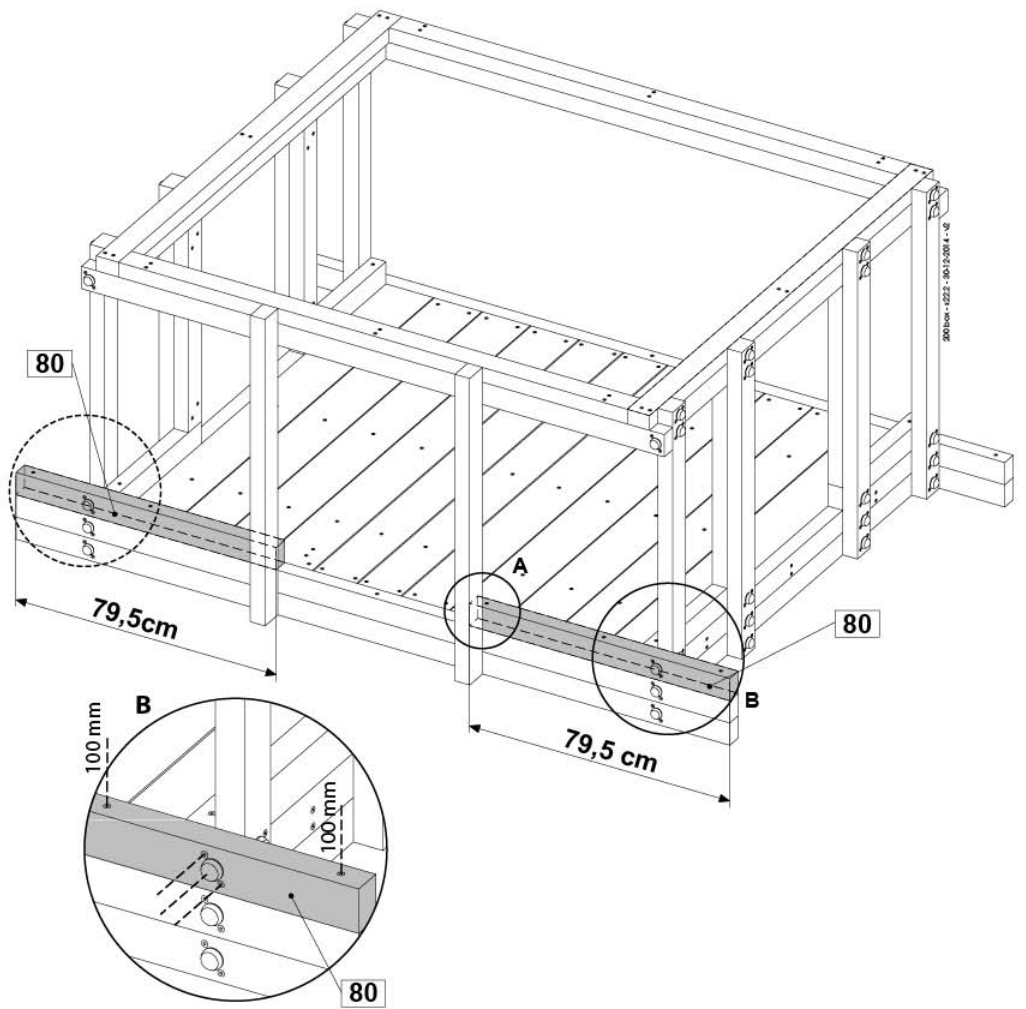
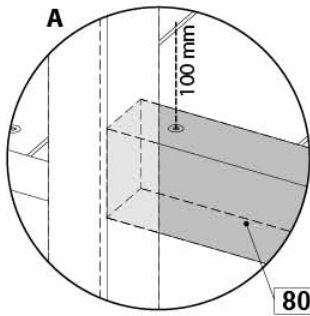
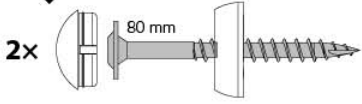
6v

4x 100 mm

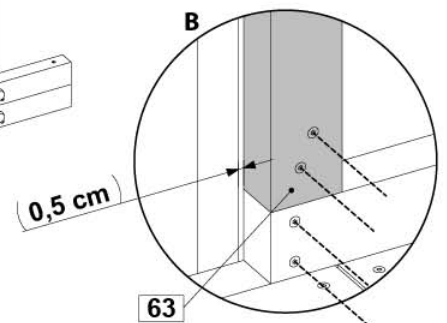
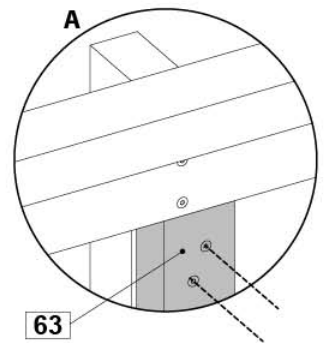
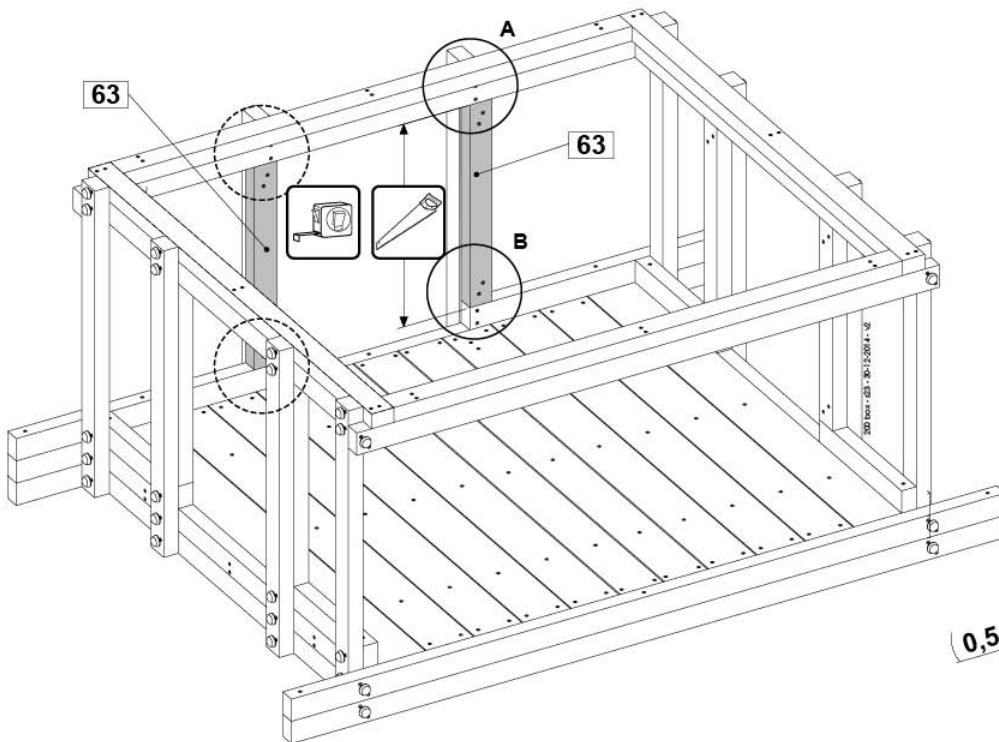
4x 80 mm



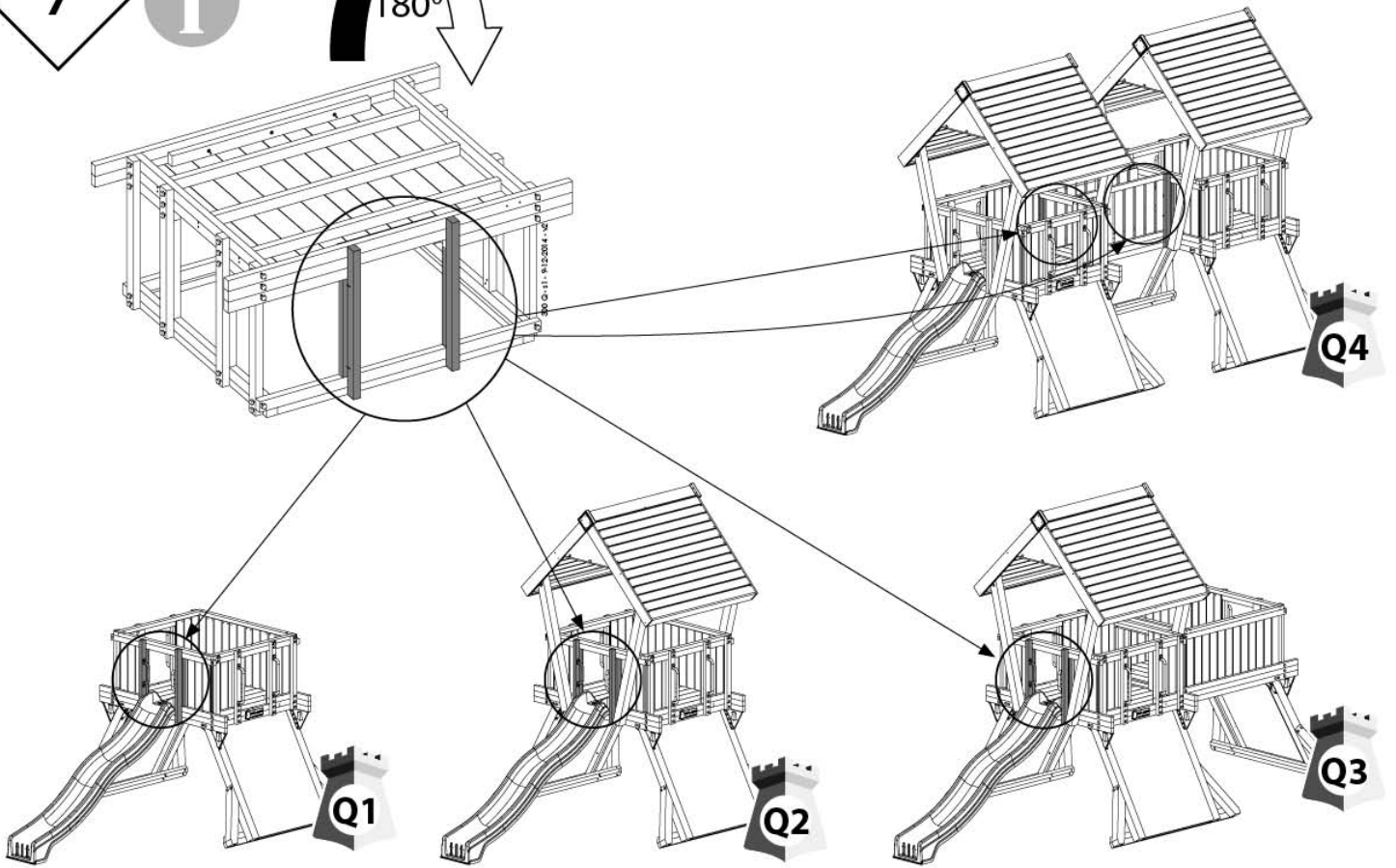
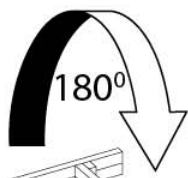
6w



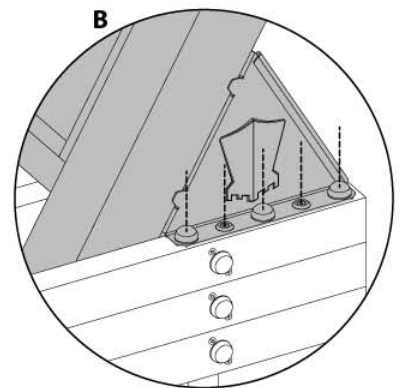
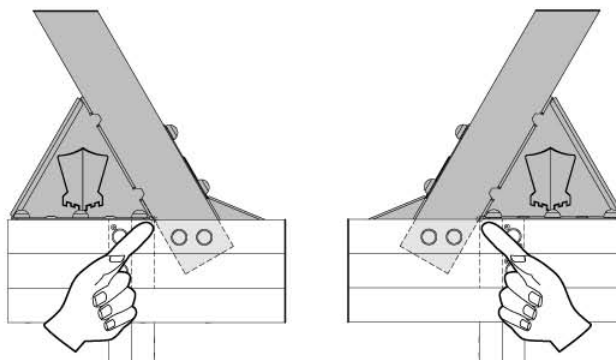
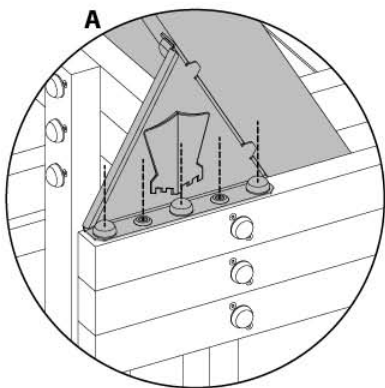
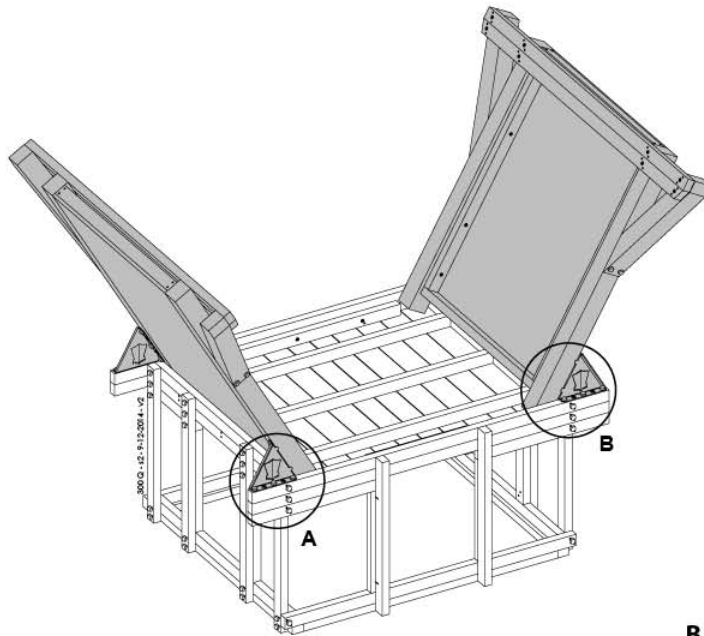
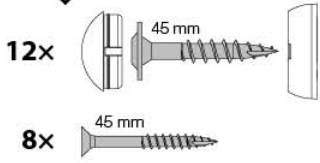
6x



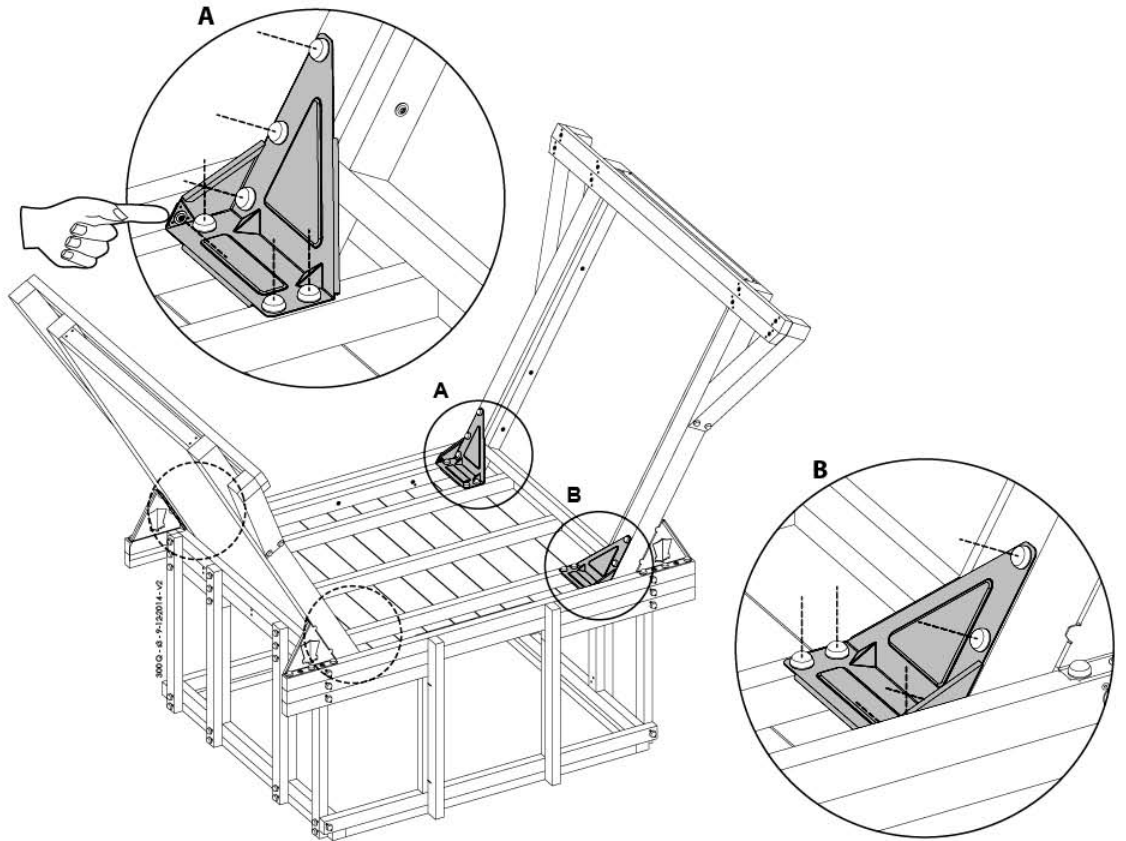
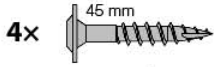
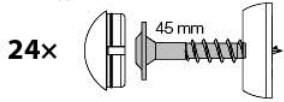
7



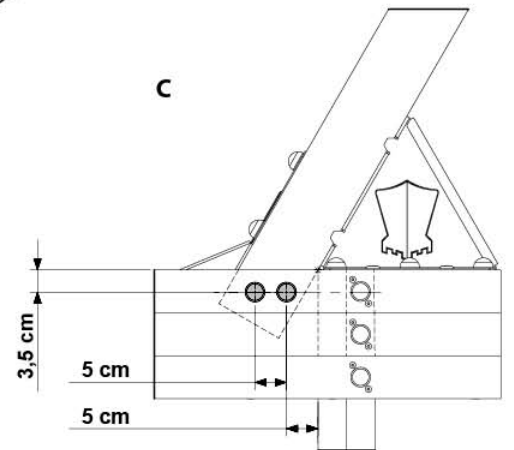
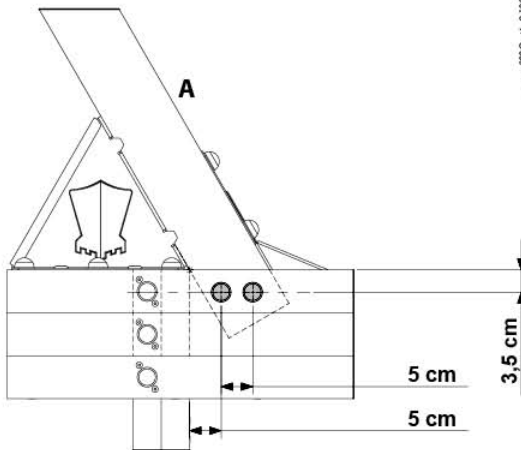
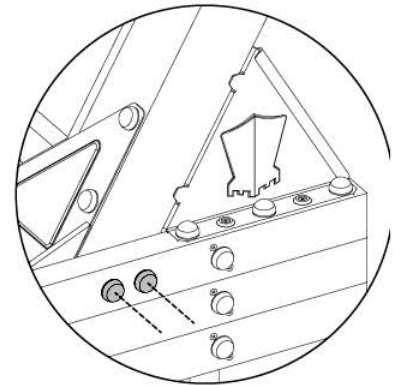
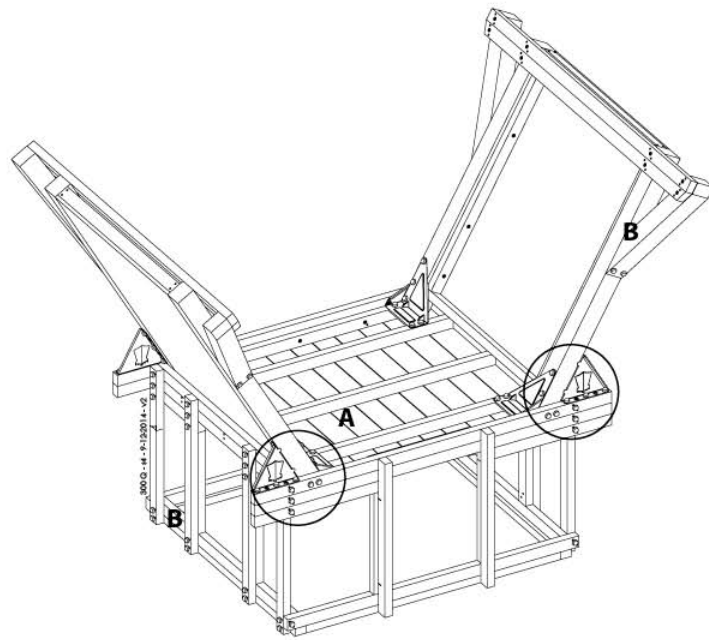
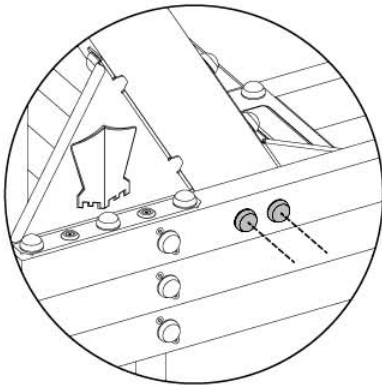
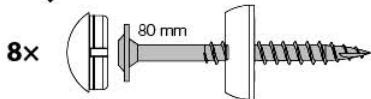
7a



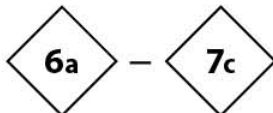
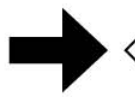
7b



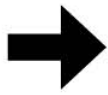
7c



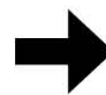
7d



7e



8

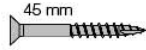


9

8a



36 - 44x



4.5 x 75

4.5 x 75

A

B

C

A

75

B

75

C

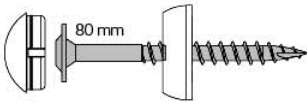
75

min. 0 cm
max. 5 cm

8b



2x



3x



4x



218

218

A

B

A

B

C

218

218

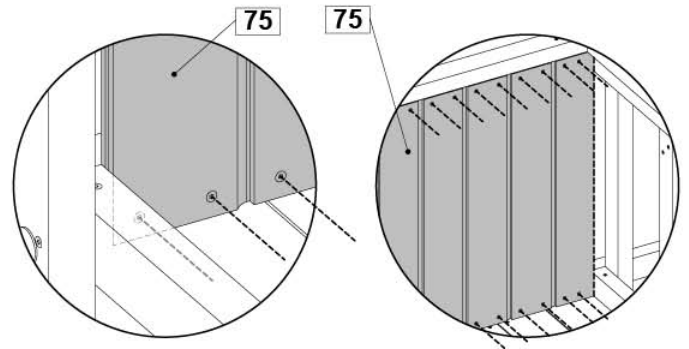
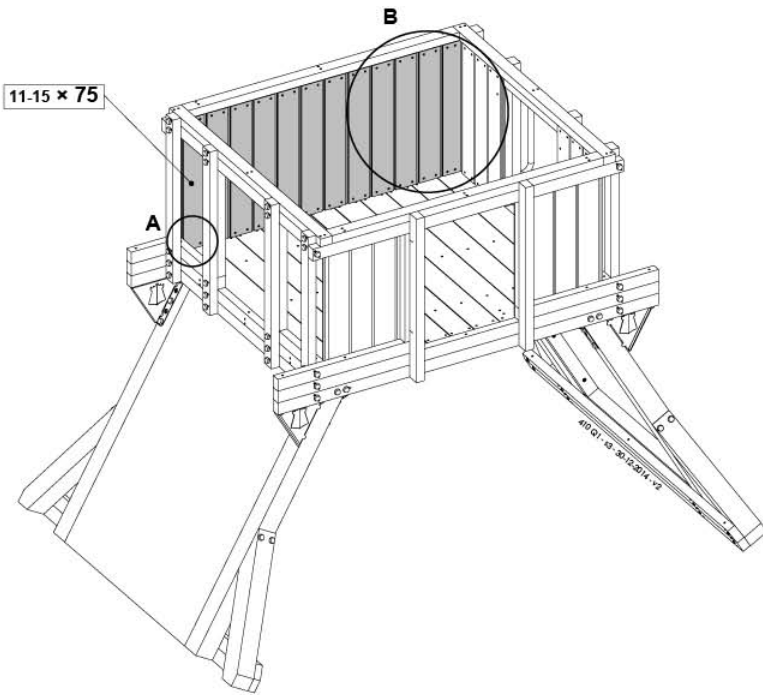
C

100 mm

8c



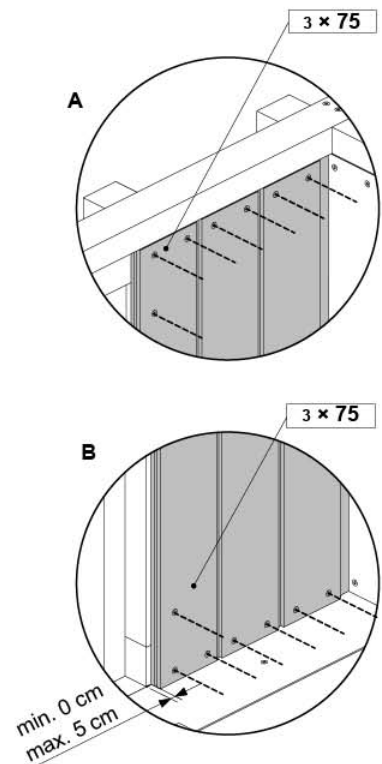
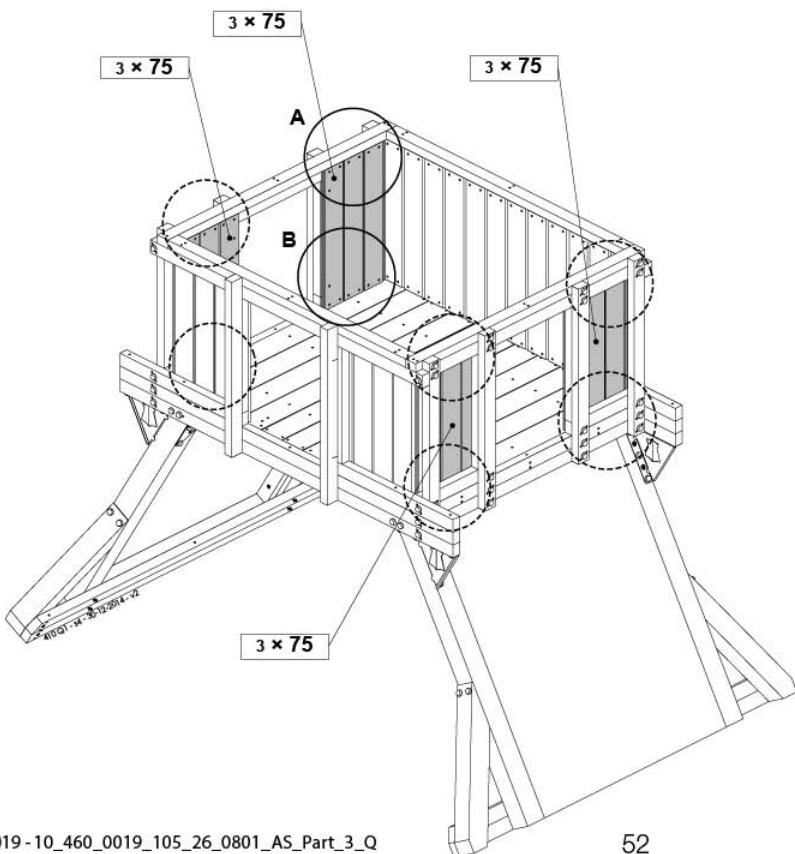
44 - 60x 45 mm




8d



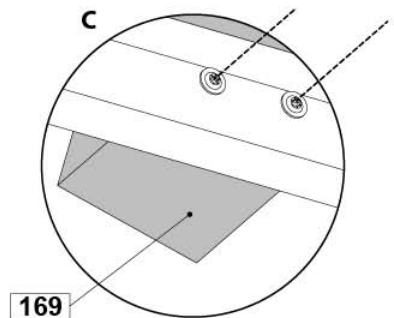
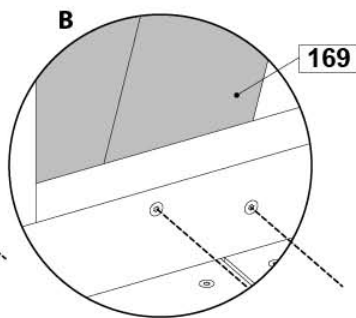
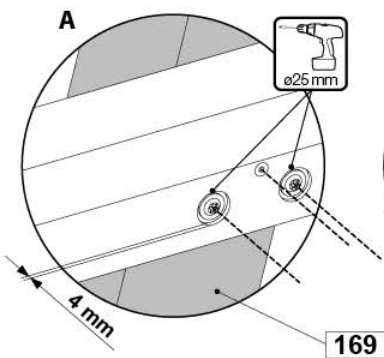
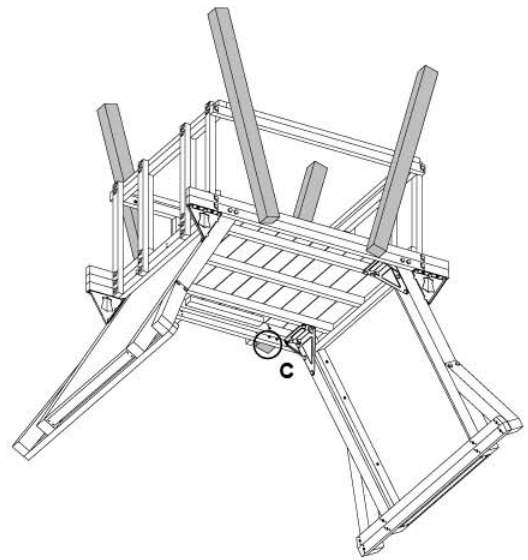
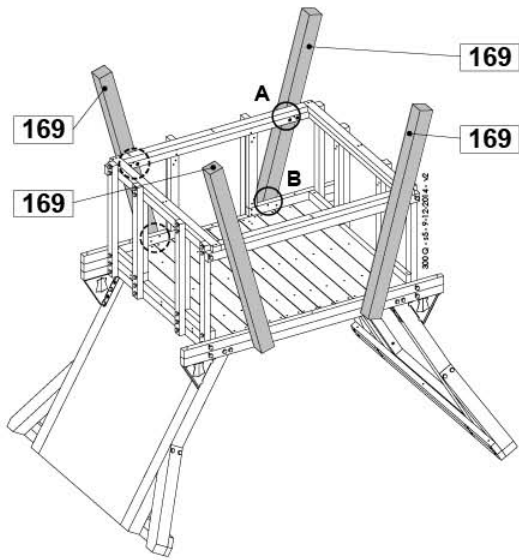
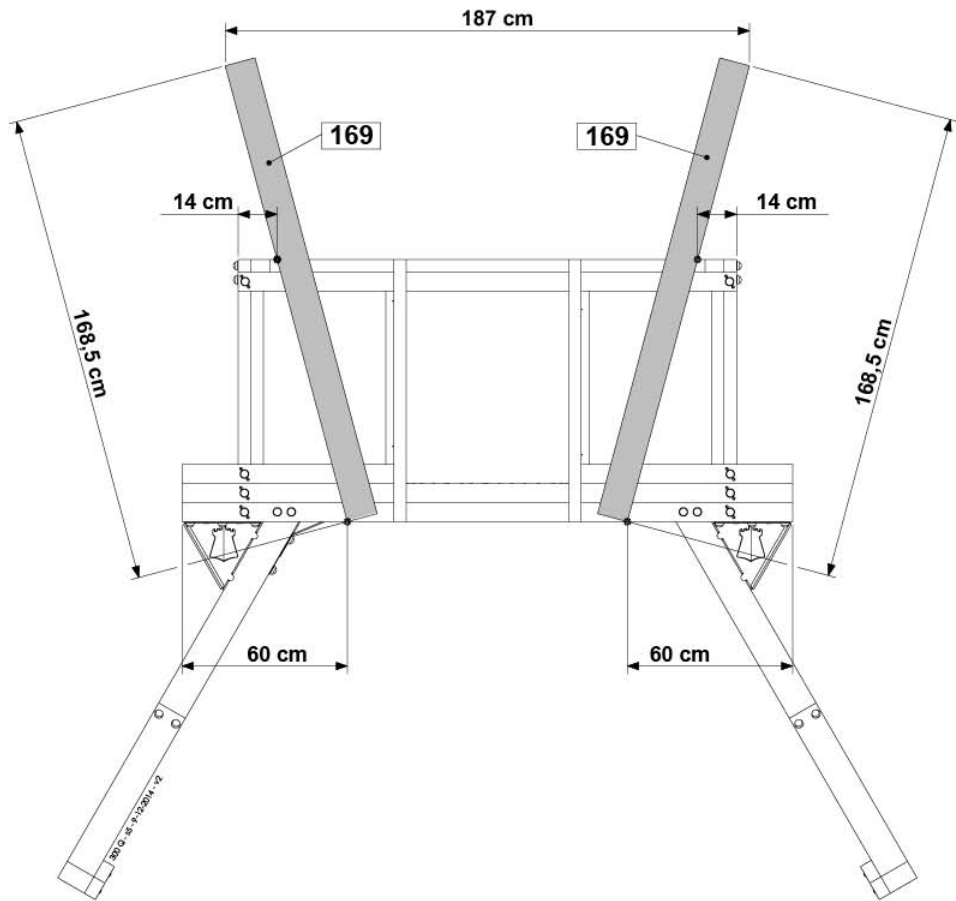
56x 45 mm



9a

16x 

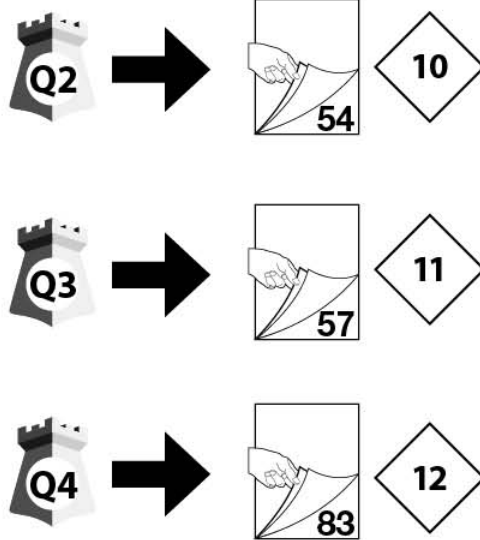
8x 



9a

2x

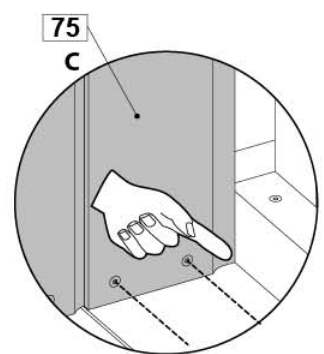
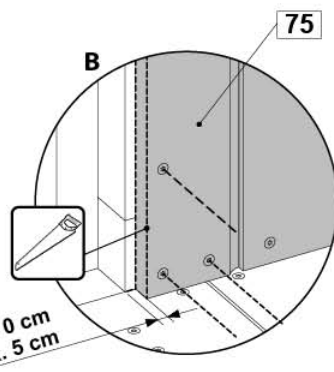
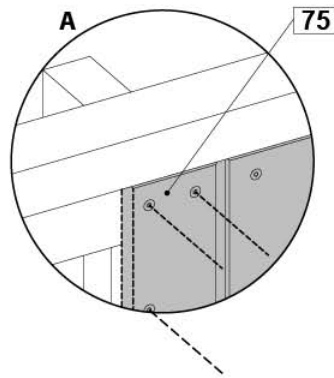
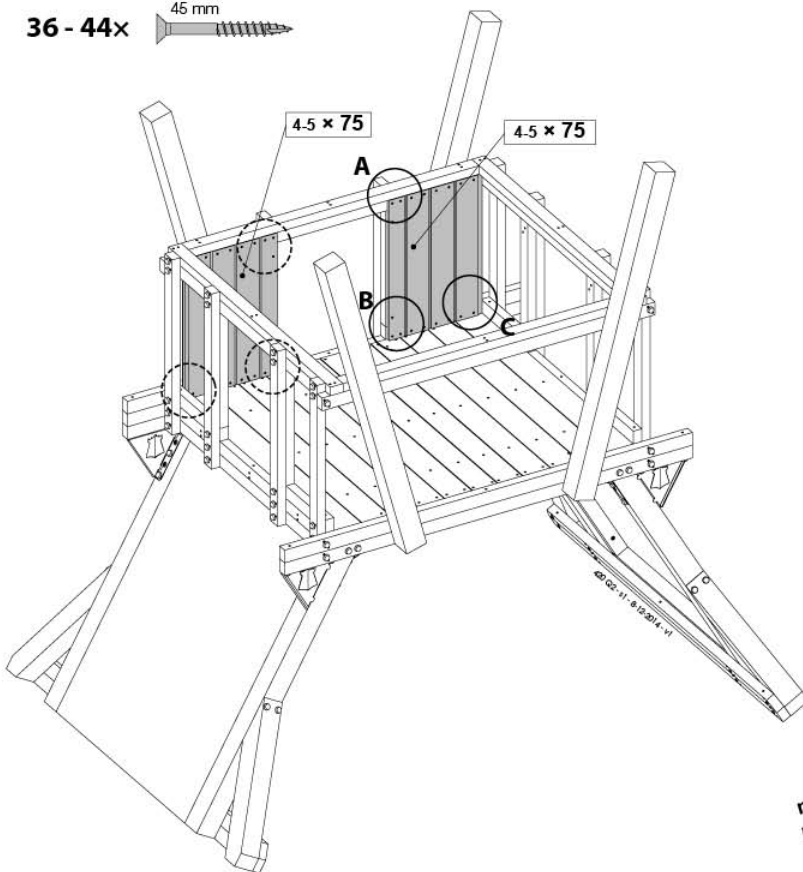
9b



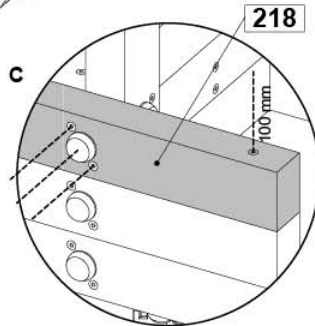
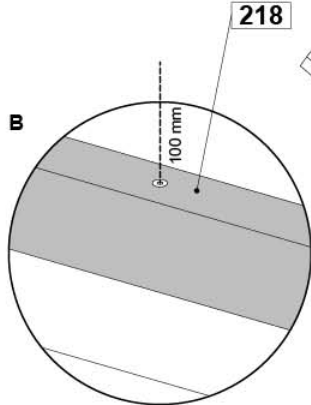
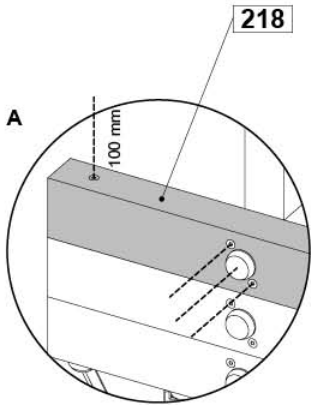
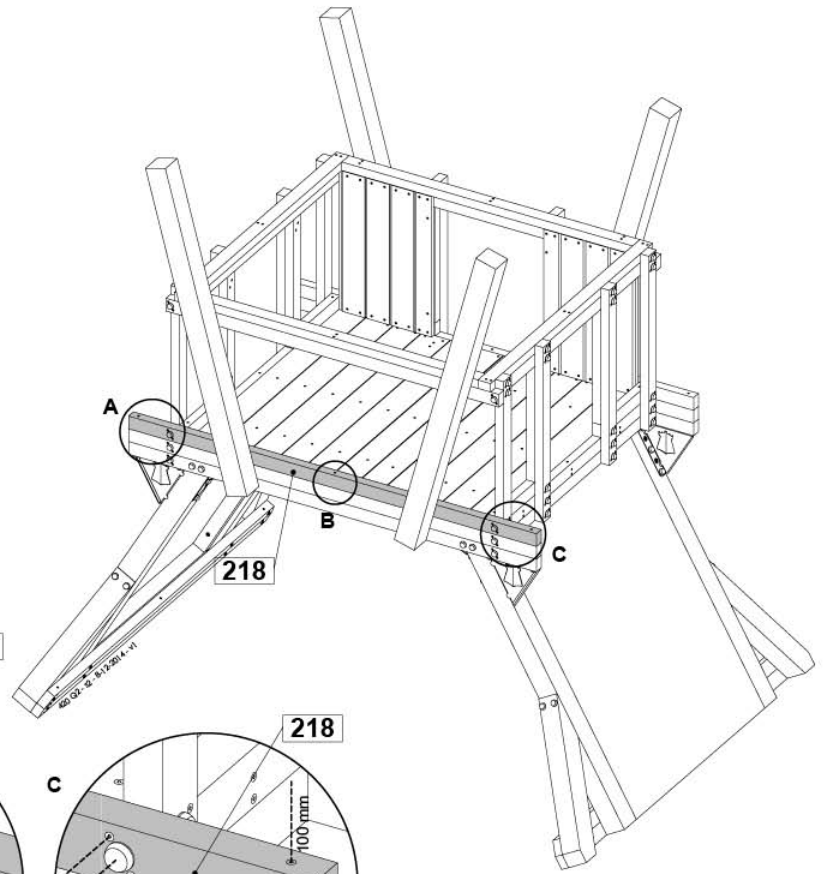
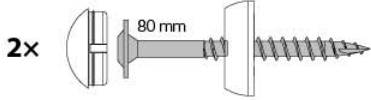
10a



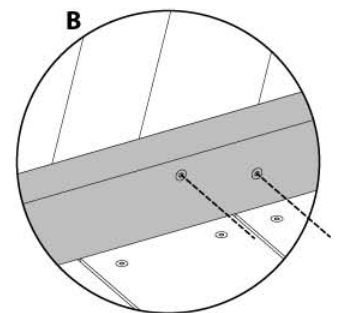
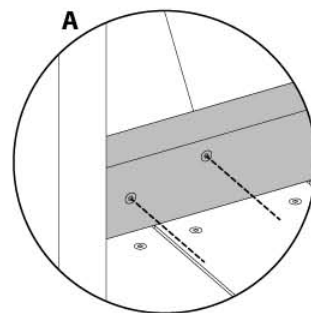
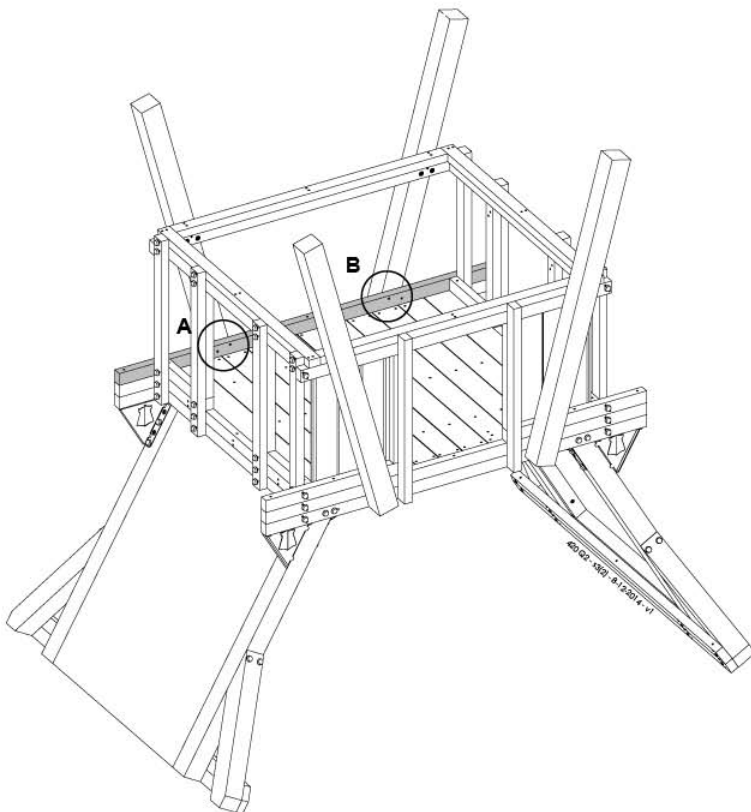
36 - 44x 45 mm



10b



10c

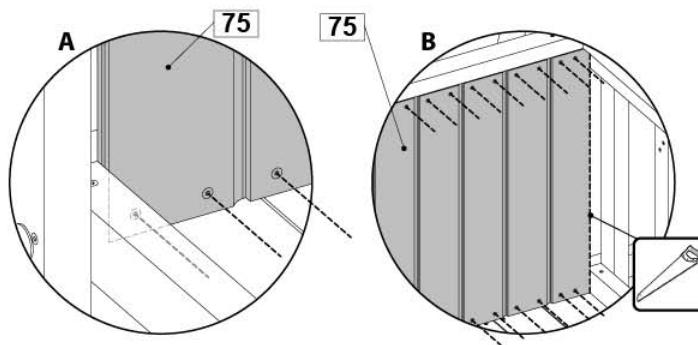
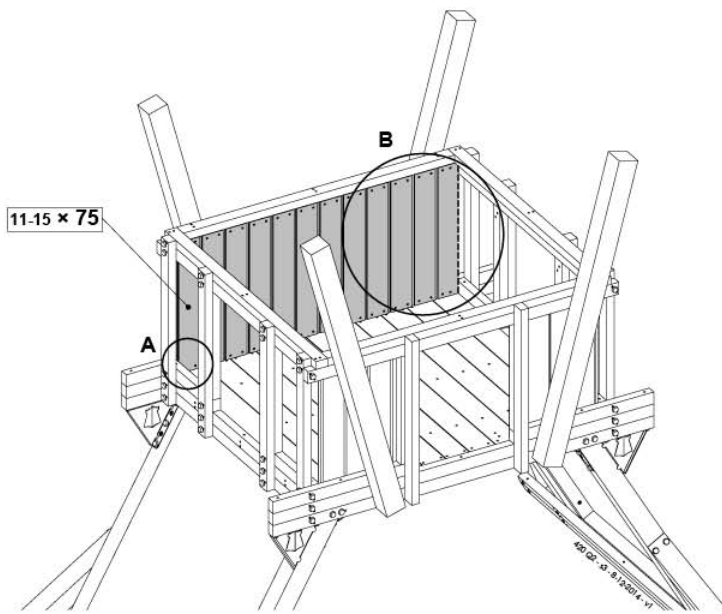
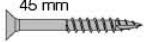


10d



44 - 60x

45 mm

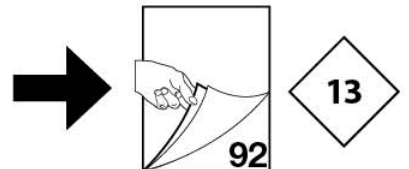
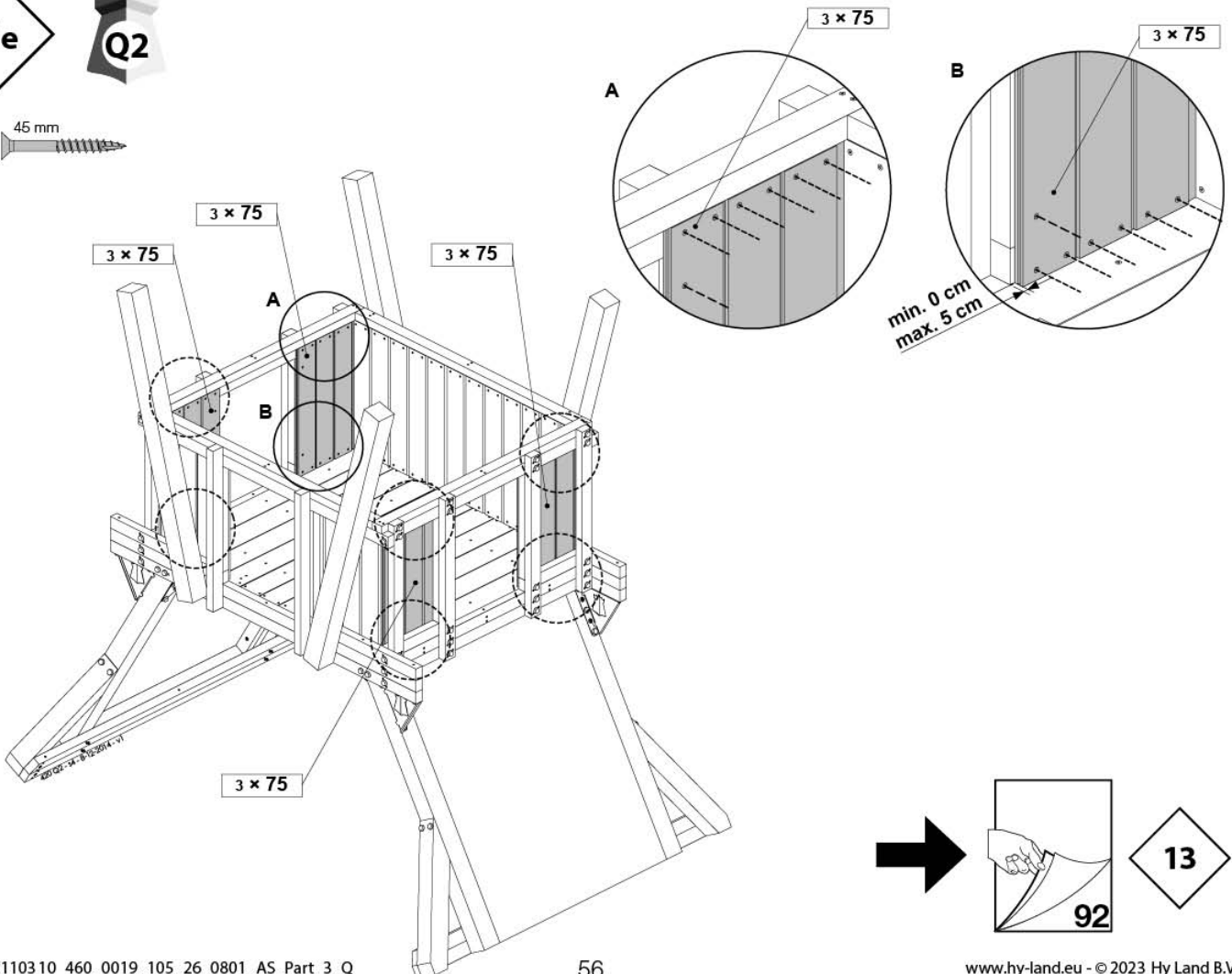


10e

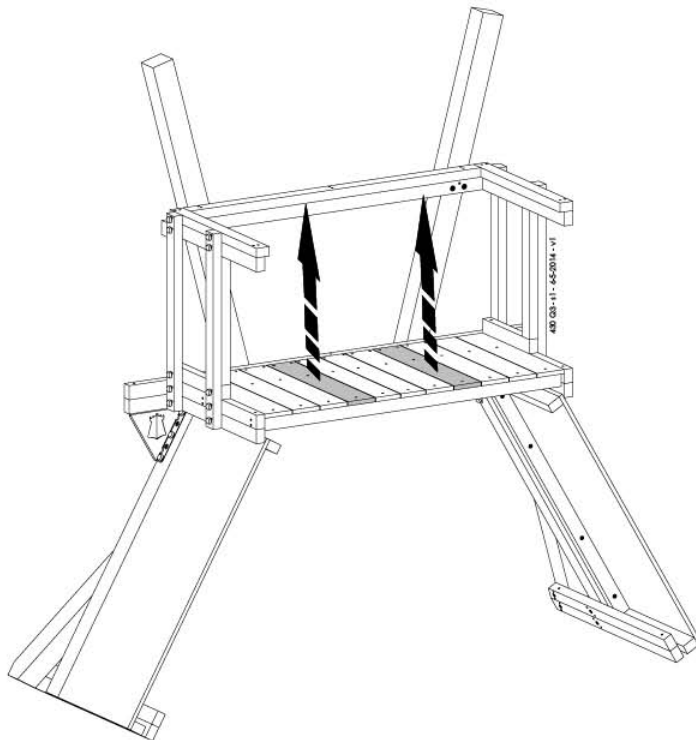
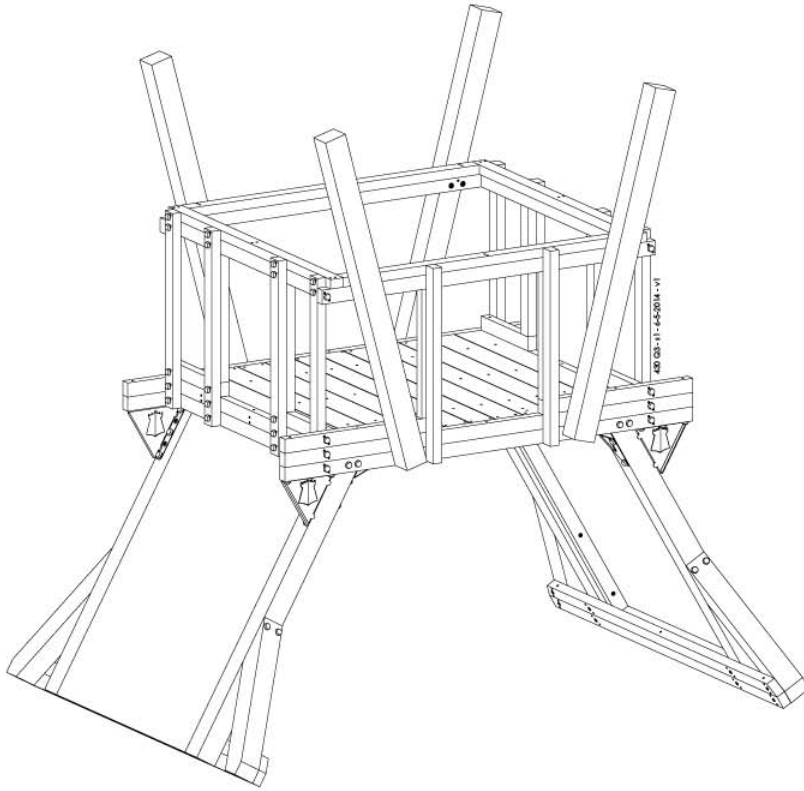


56x

45 mm



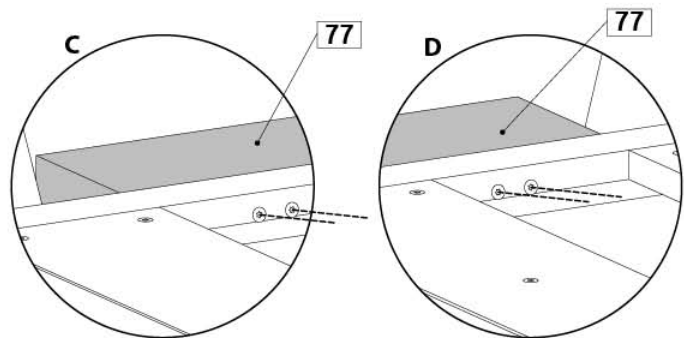
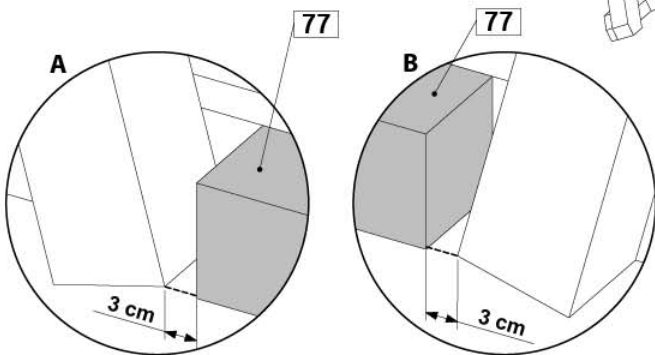
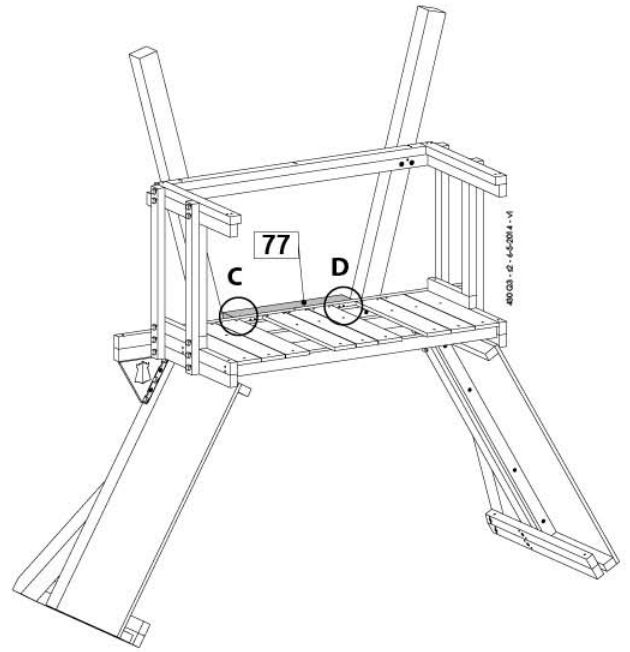
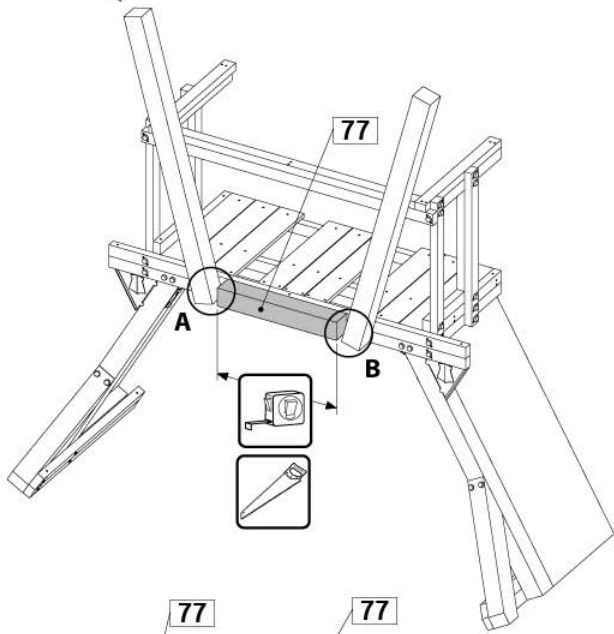
11.1a



11.1b



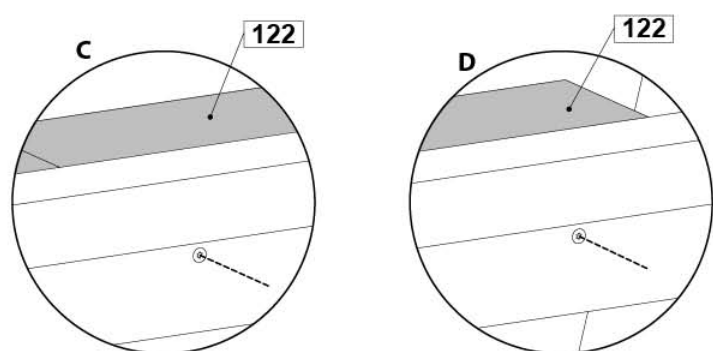
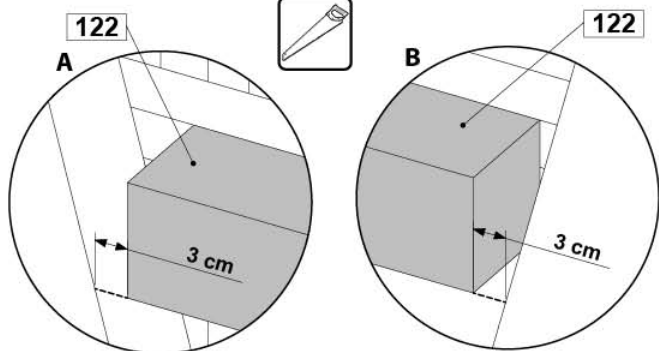
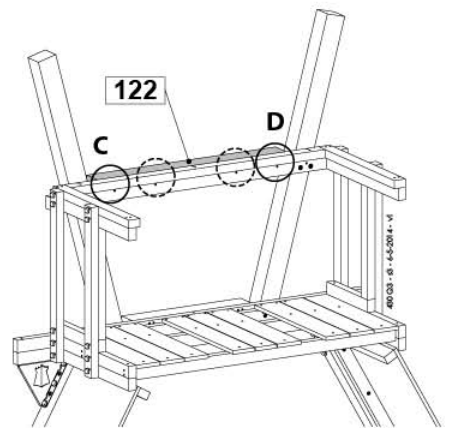
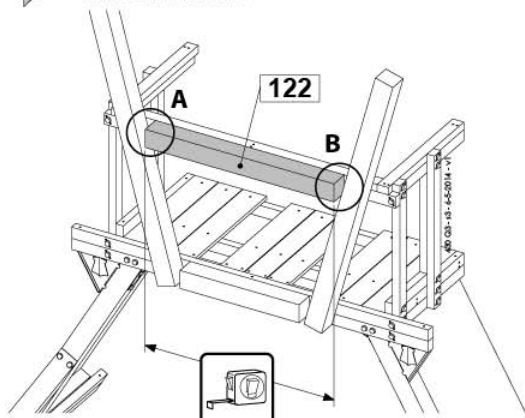
4x 80 mm



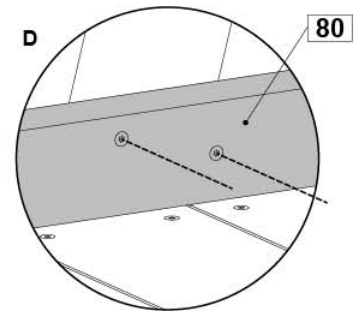
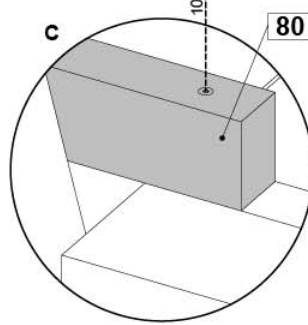
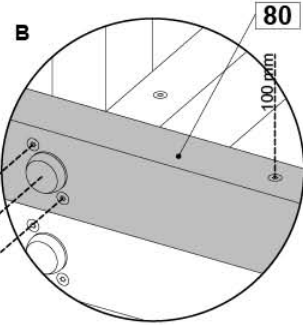
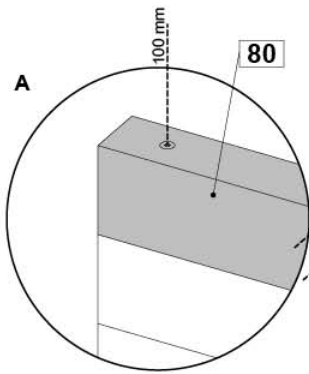
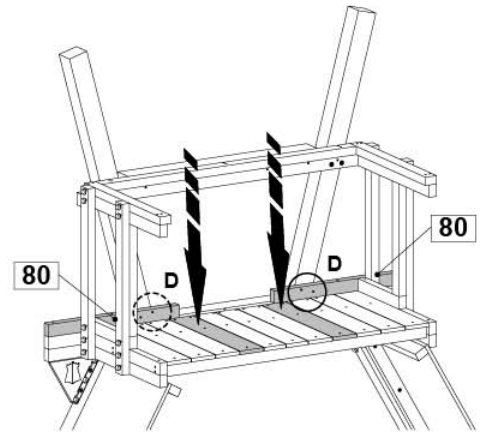
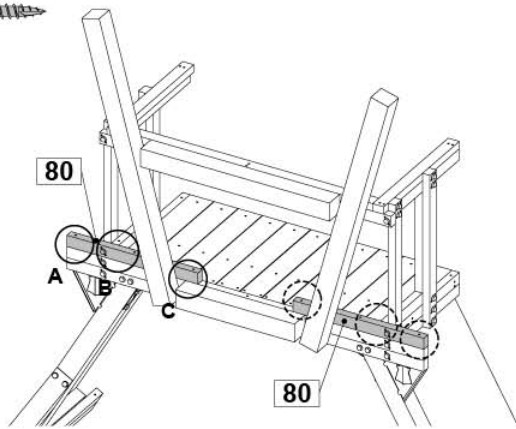
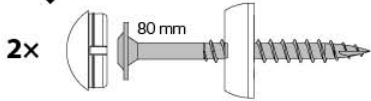
11.1c



4x 80 mm



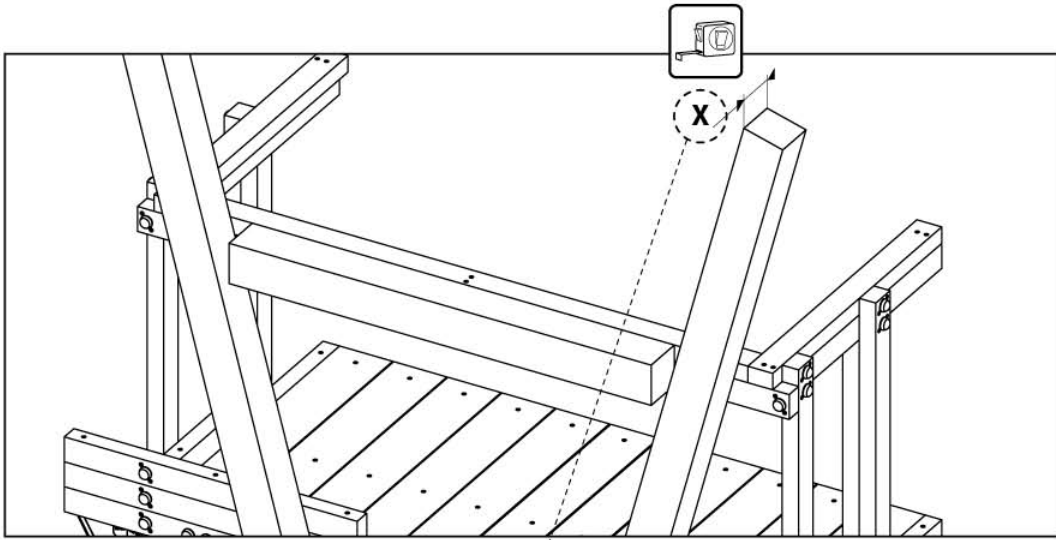
11.1d



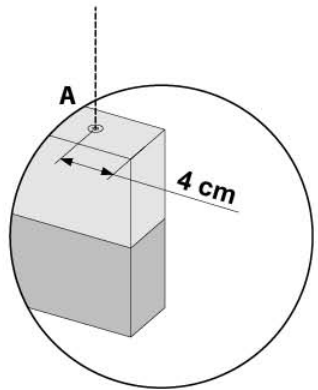
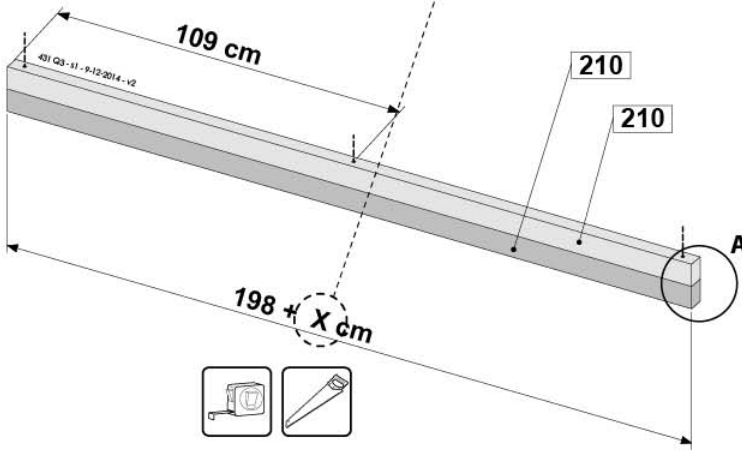
11.2a



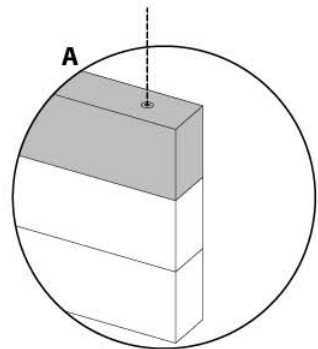
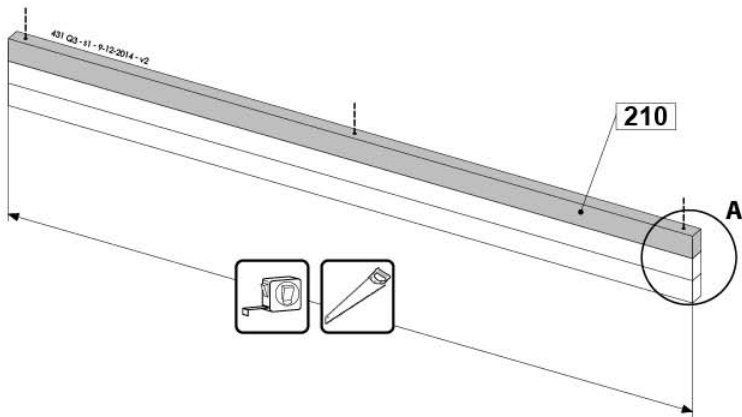
12x 100 mm



1



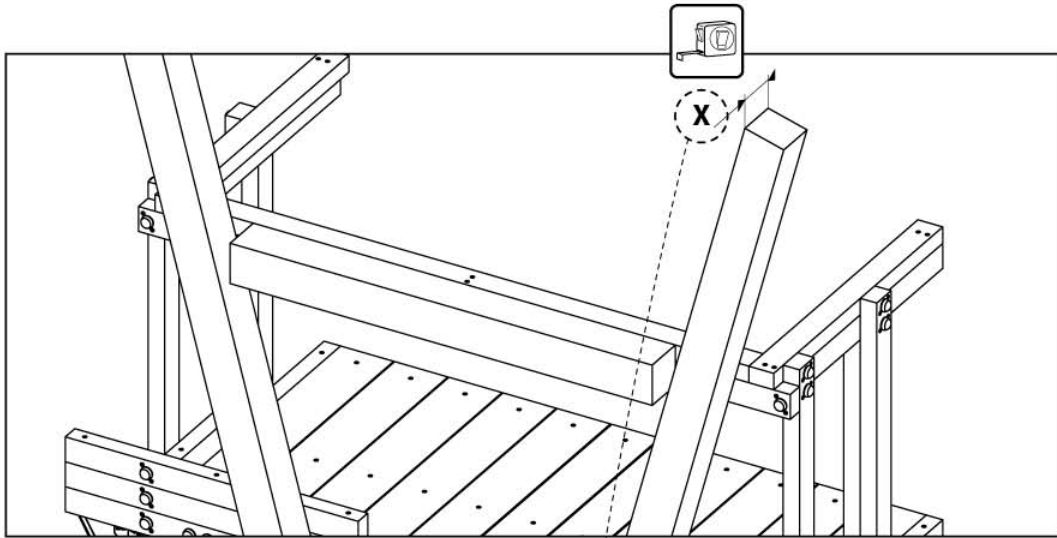
2



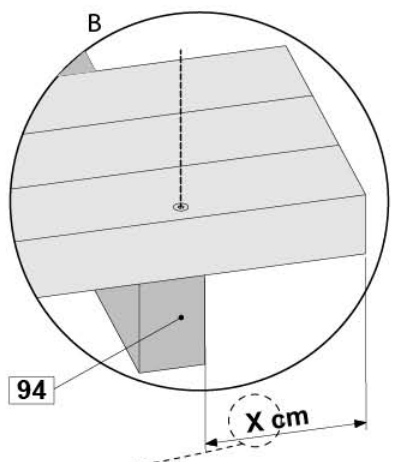
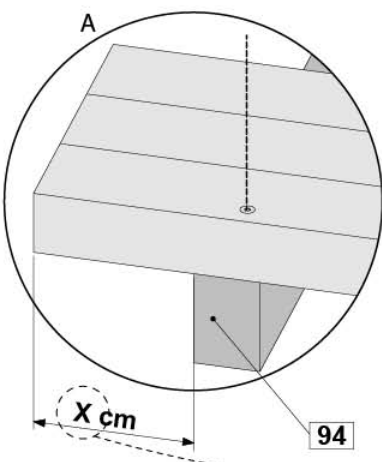
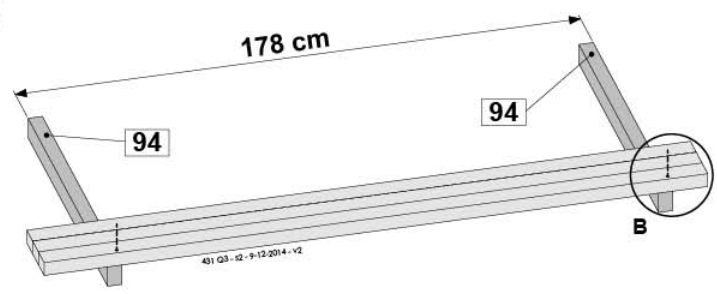
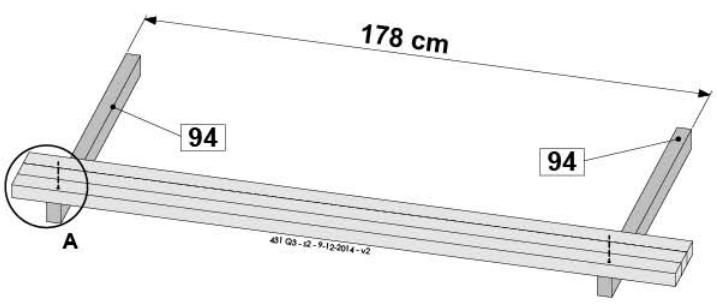
3



11.2b



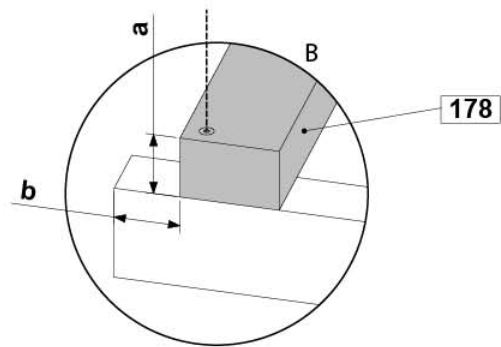
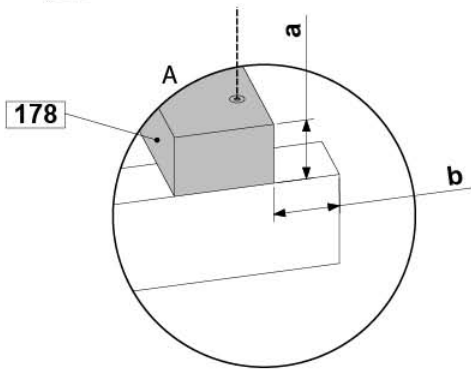
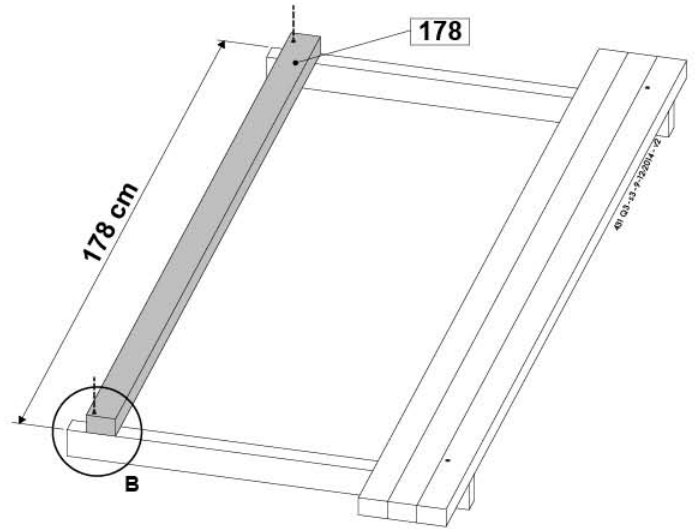
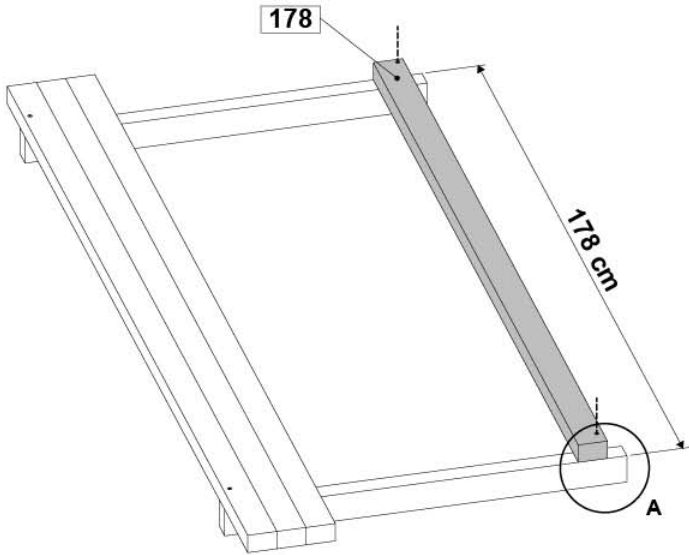
4x 80 mm



11.2c

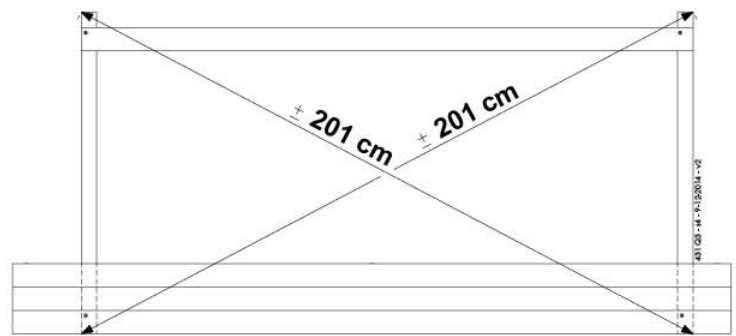
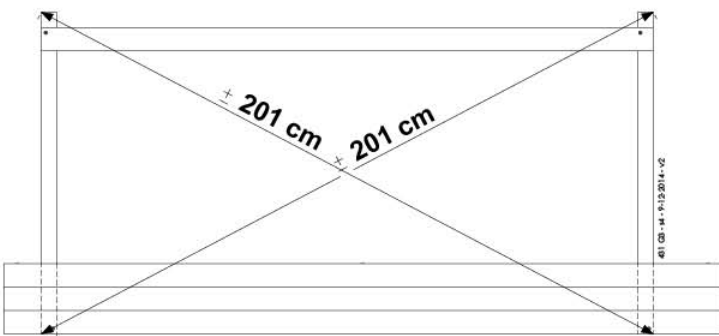


4x 80 mm

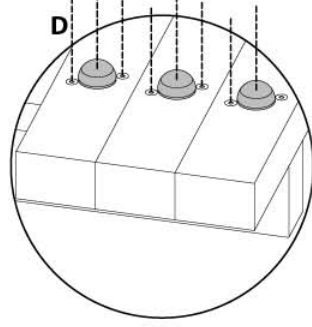
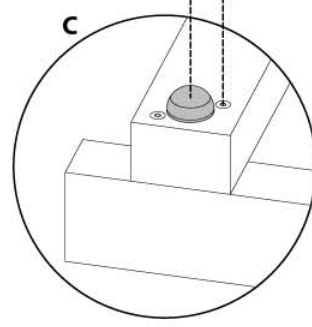
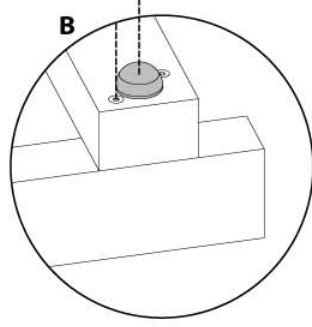
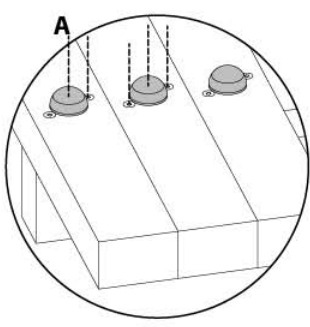
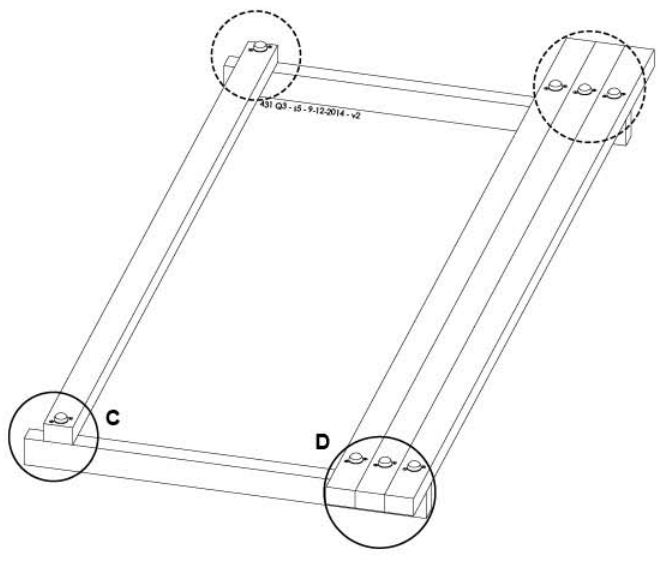
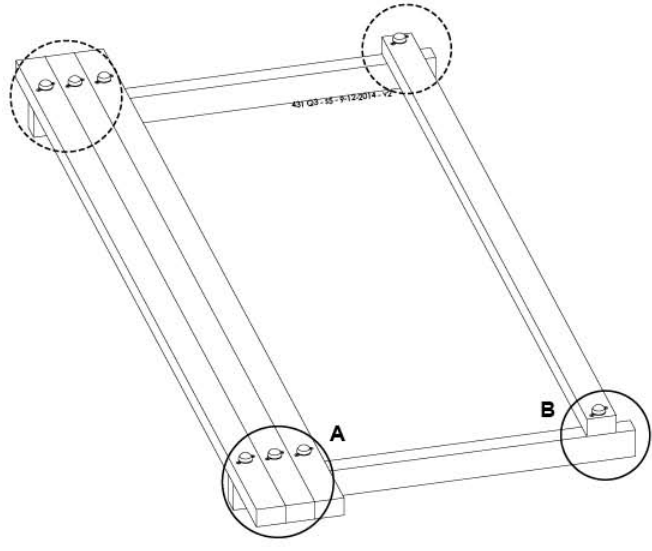
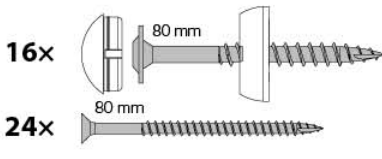


$\square \equiv \square$

11.2d



11.2e

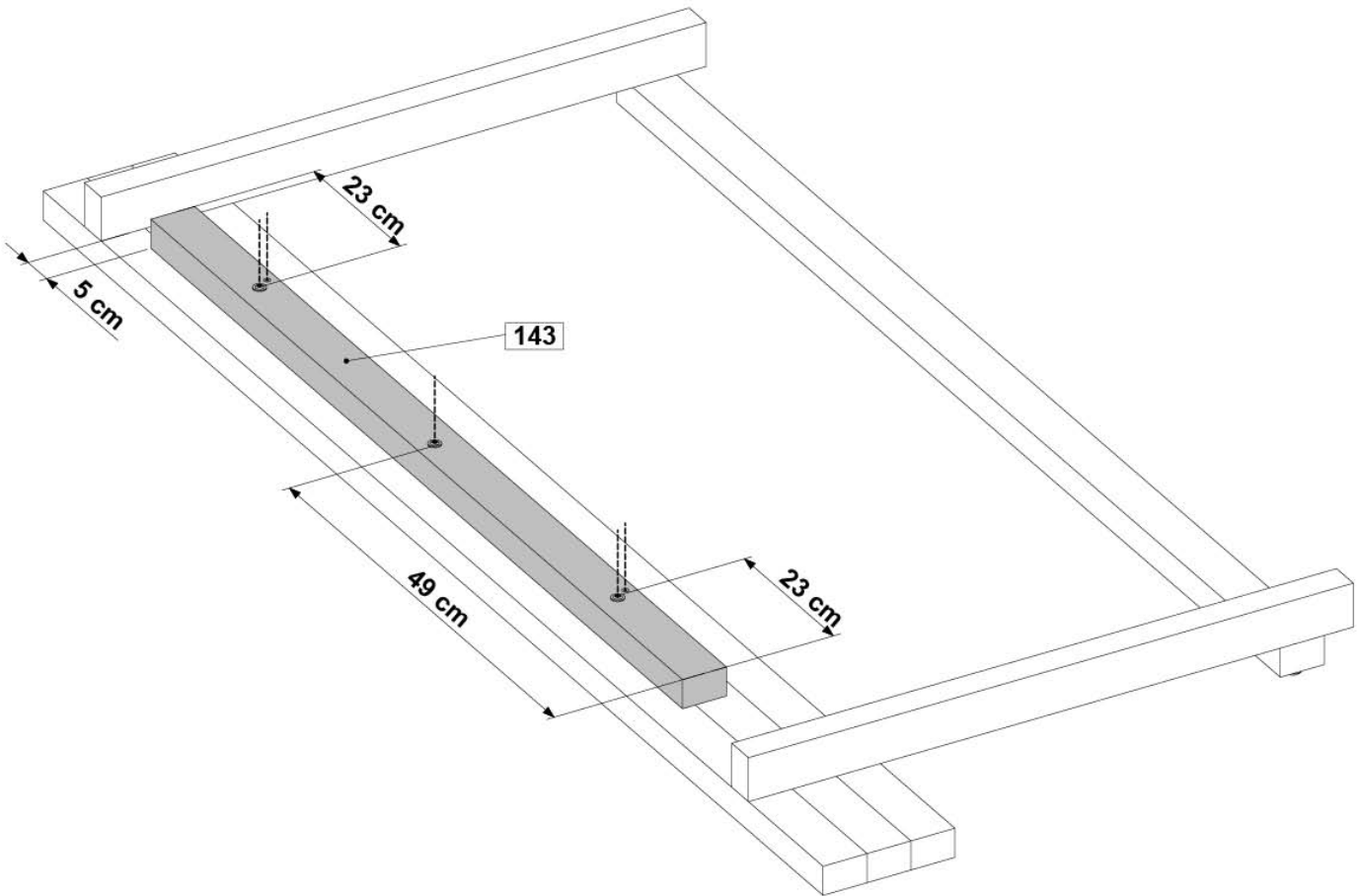
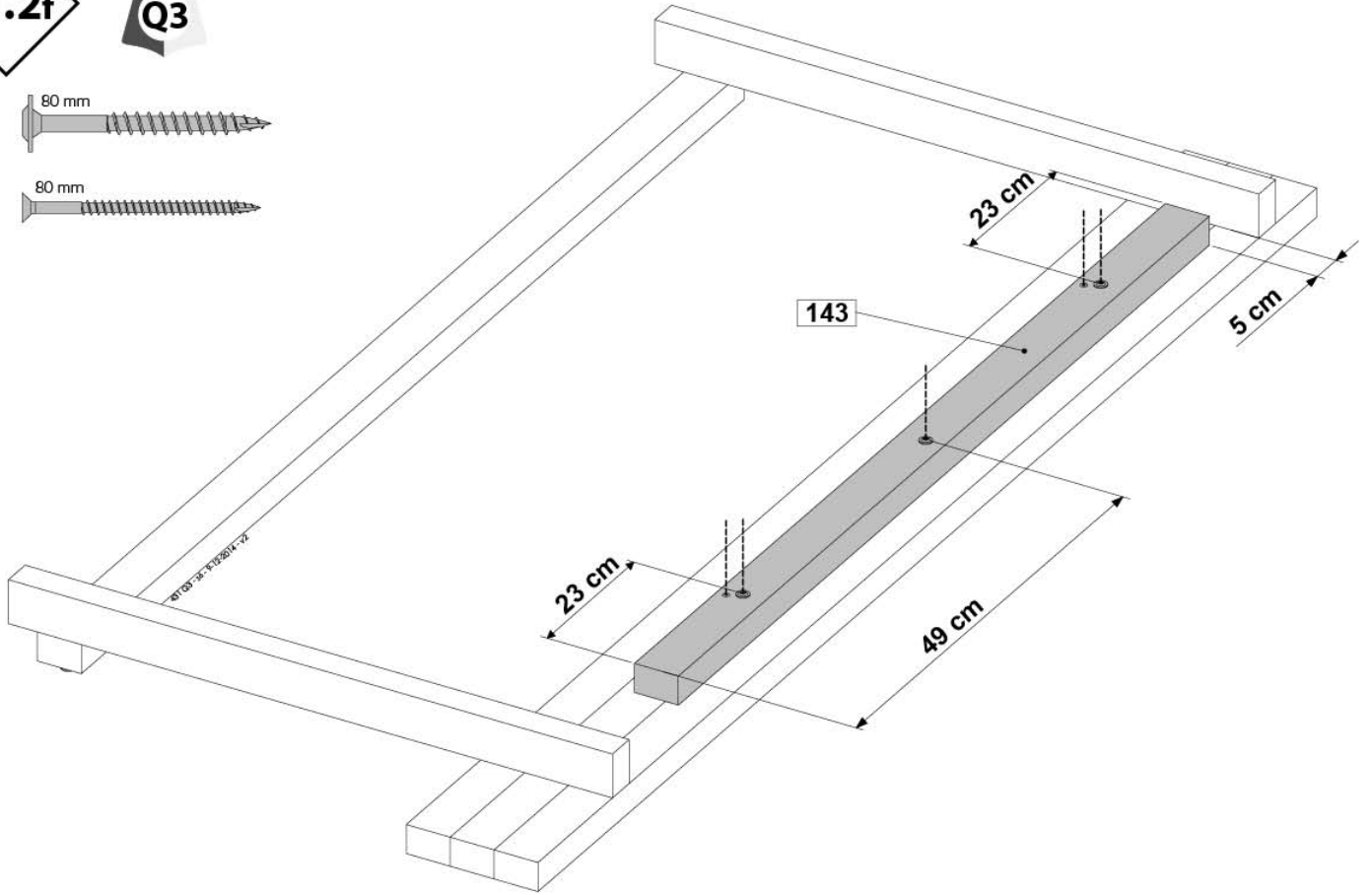


11.2f



6x 80 mm

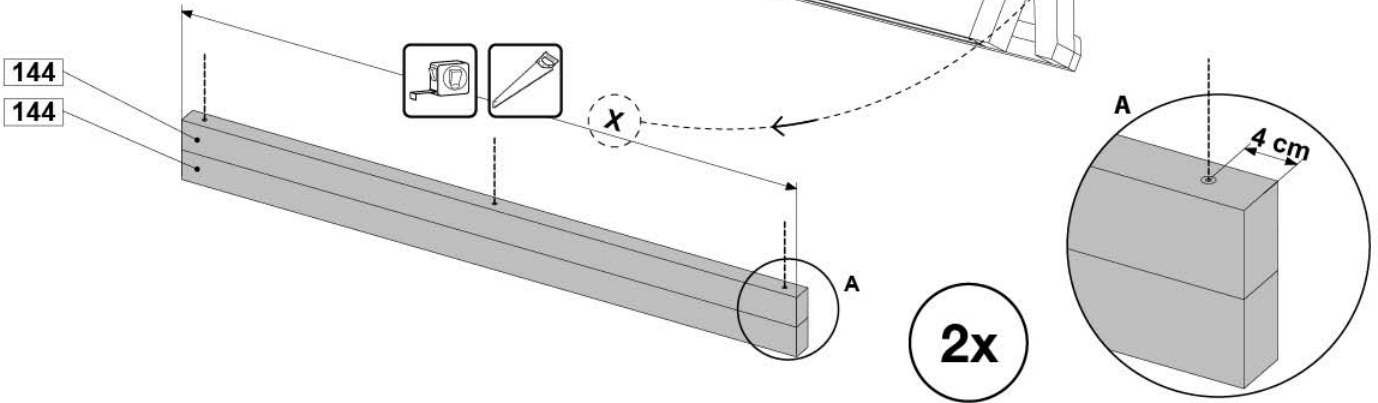
4x 80 mm



11.2g



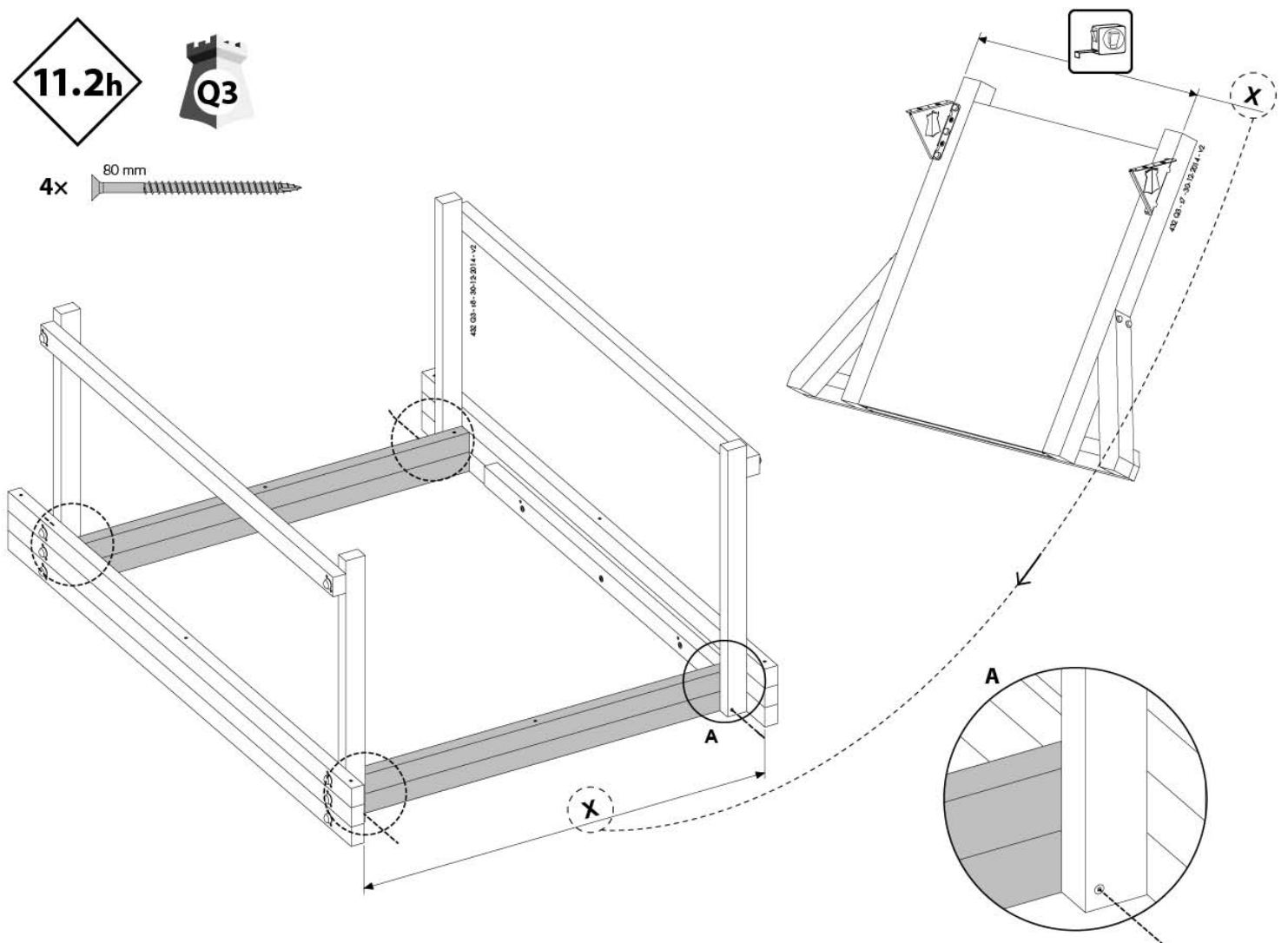
6x 100 mm



11.2h



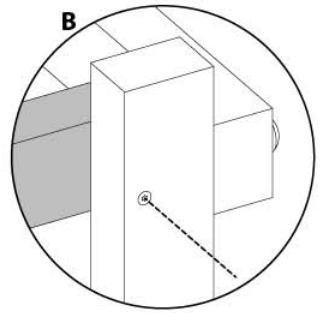
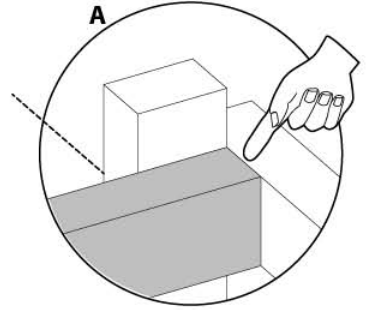
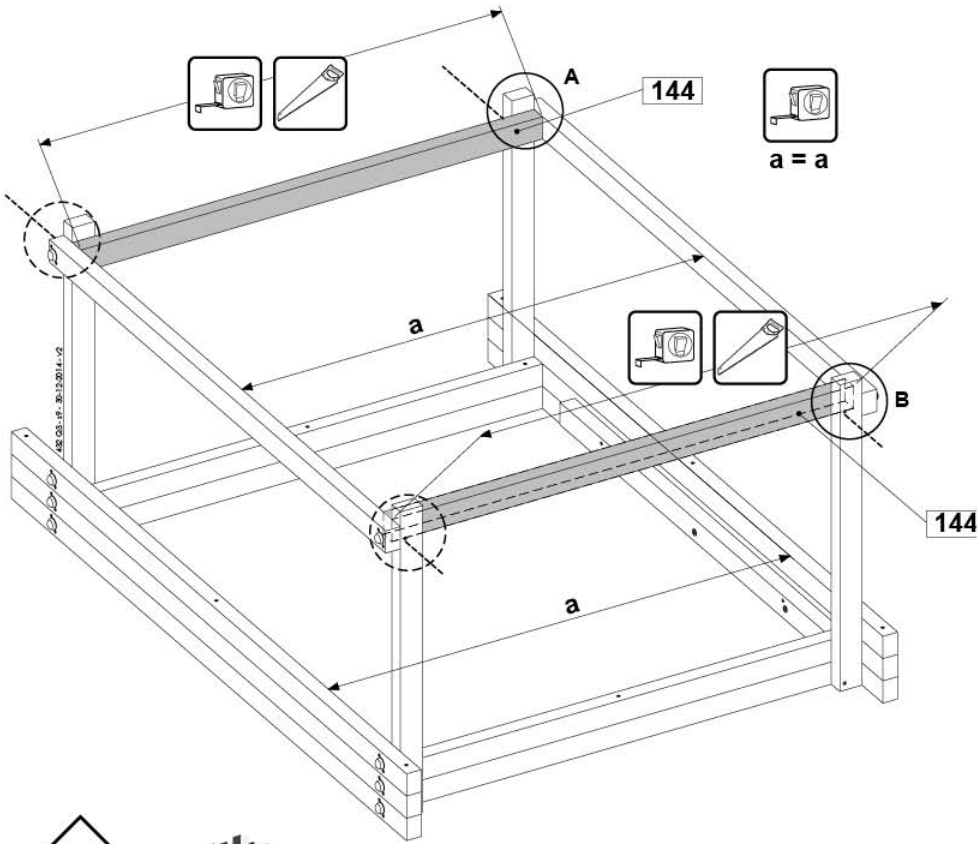
4x 80 mm



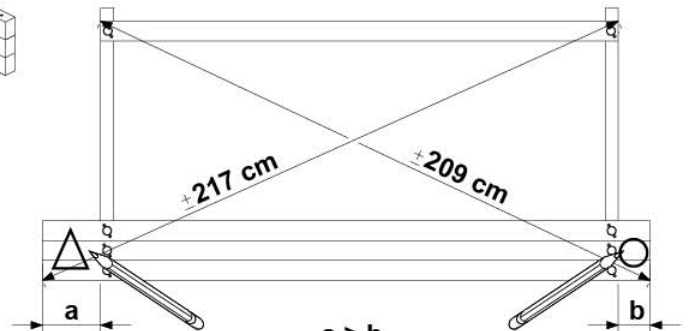
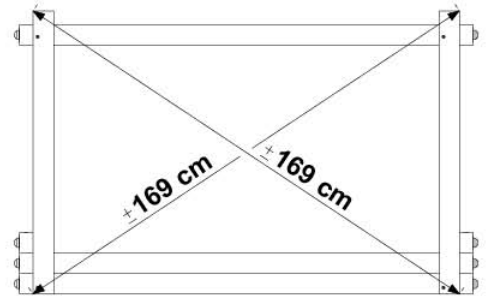
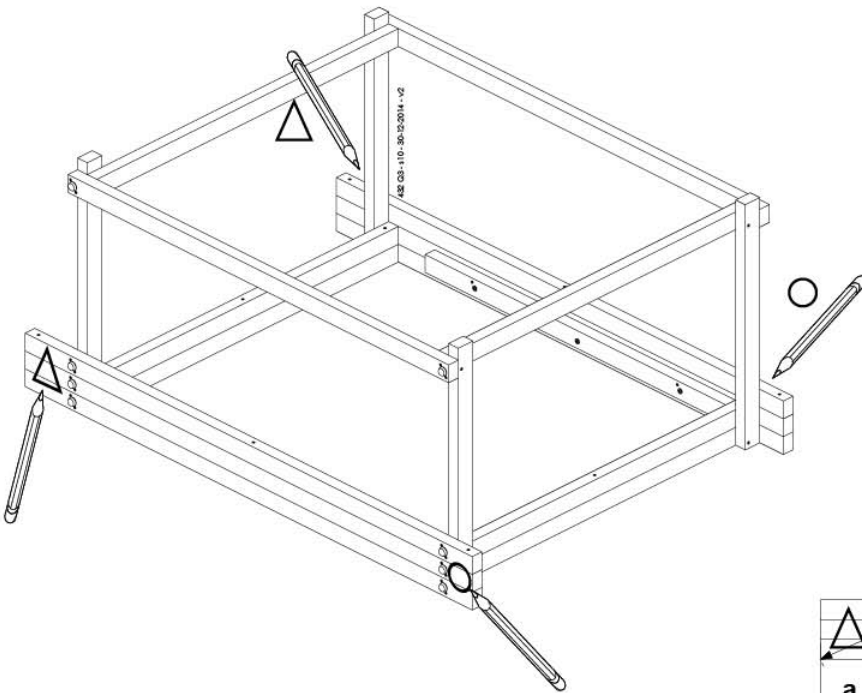
11.2i



4x 80 mm



11.2j



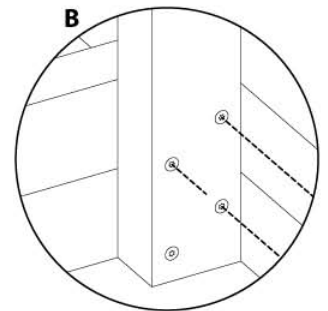
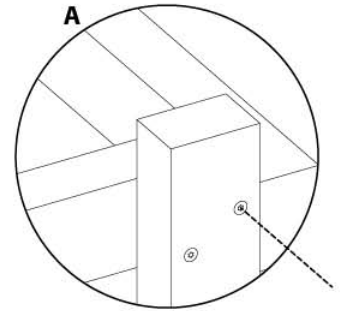
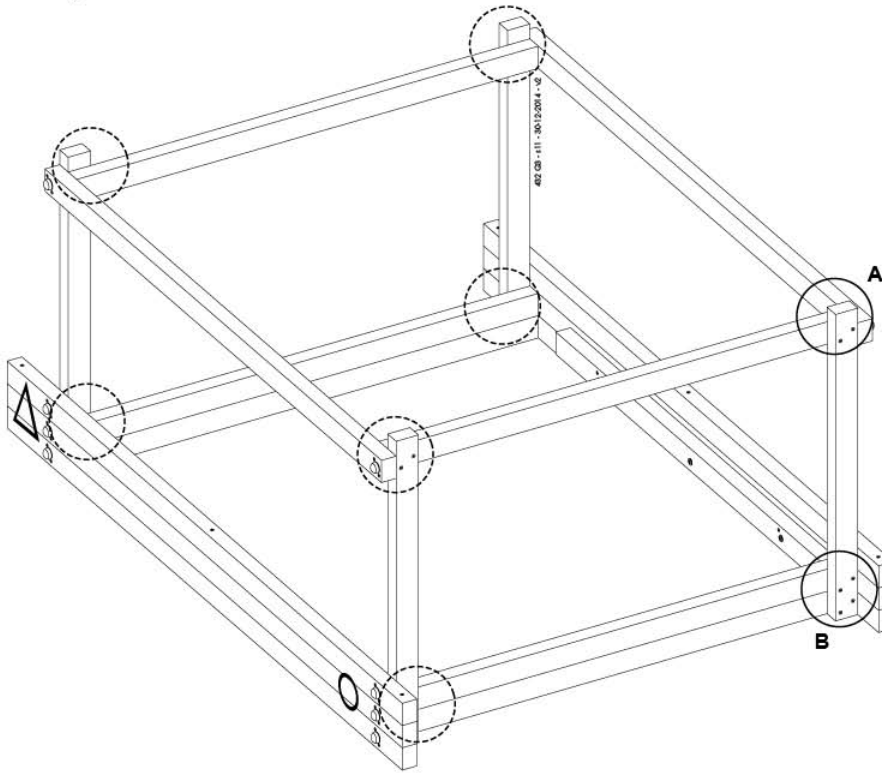
$a > b$



11.2k



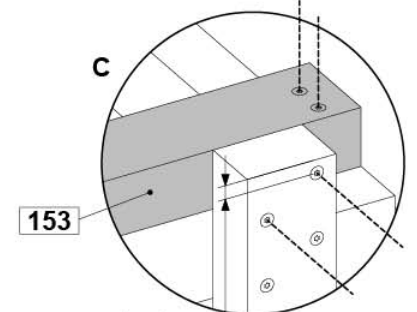
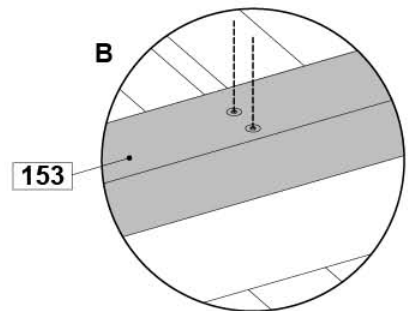
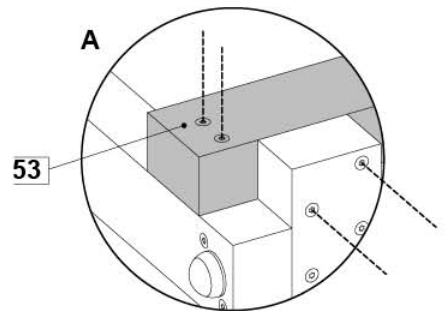
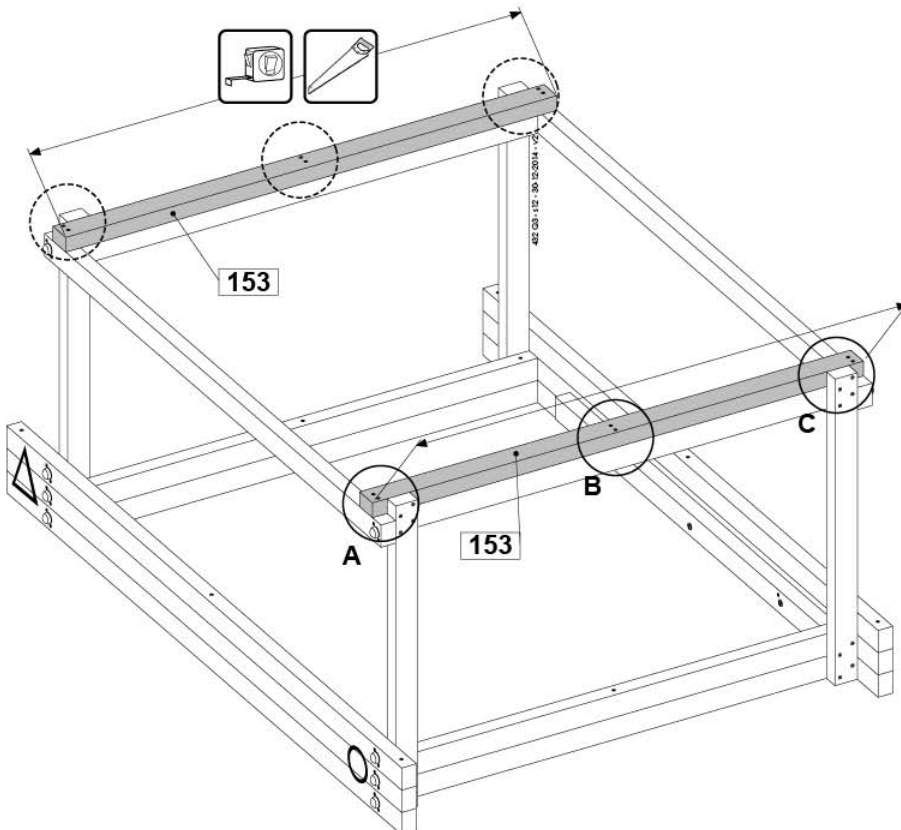
16x 80 mm



11.2L



20x 80 mm

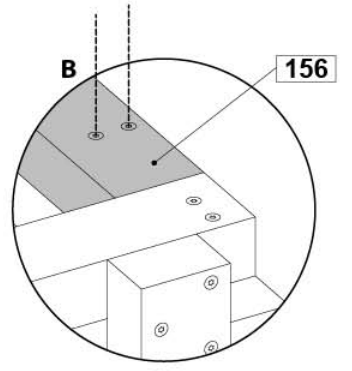
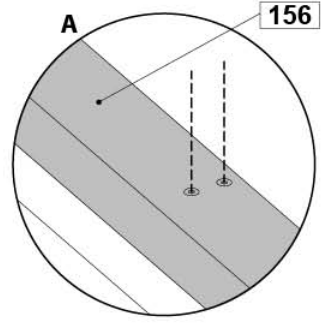
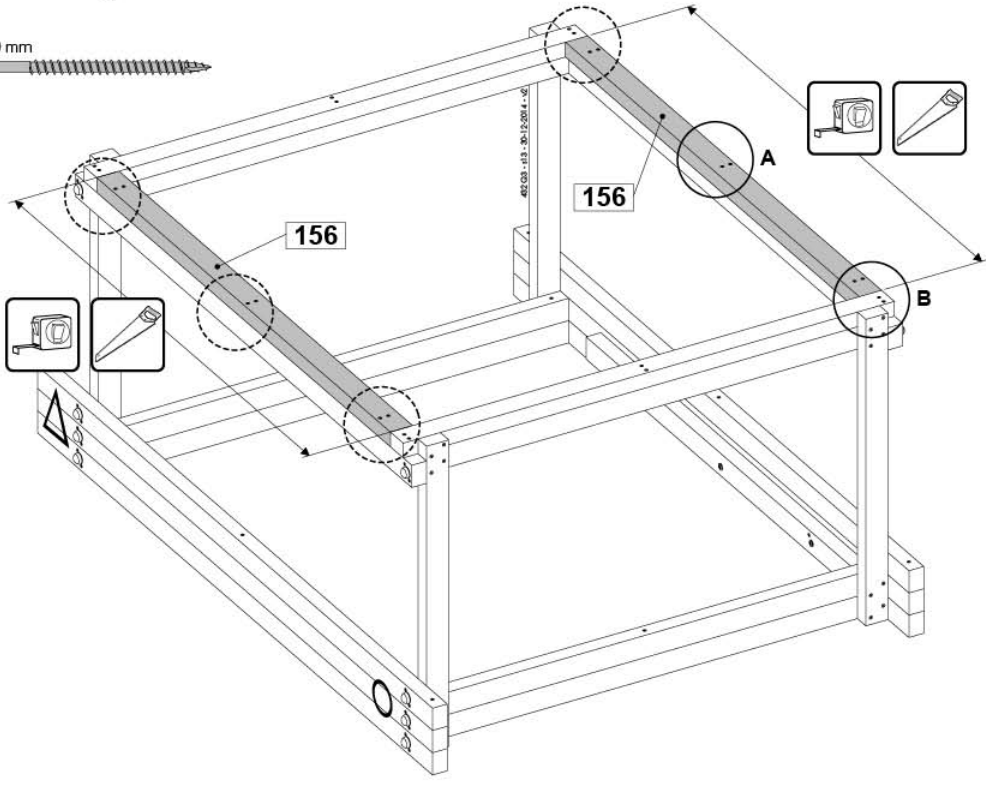


min. 1 cm

11.2m



12x 80 mm

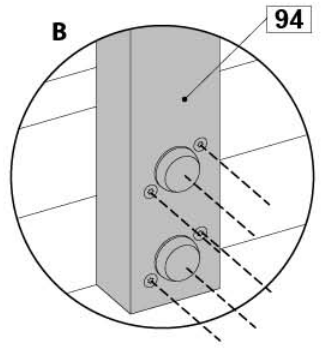
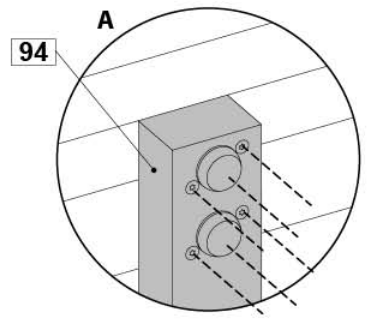
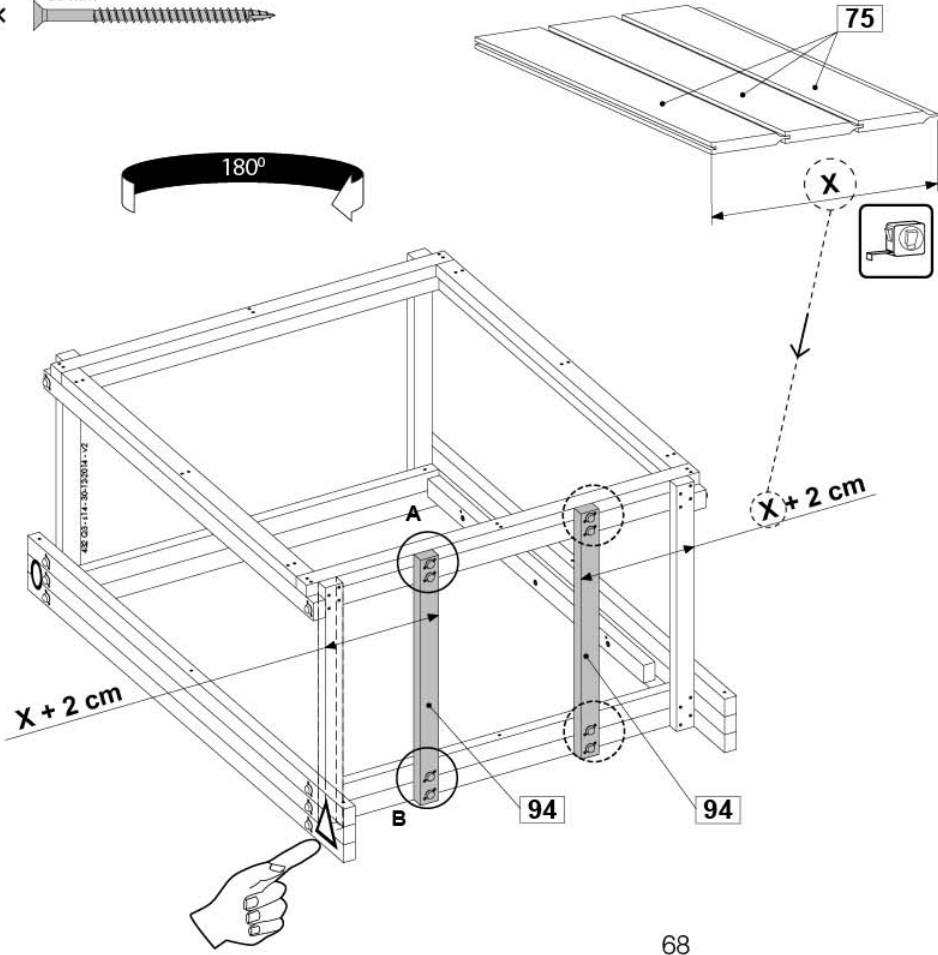


11.2n

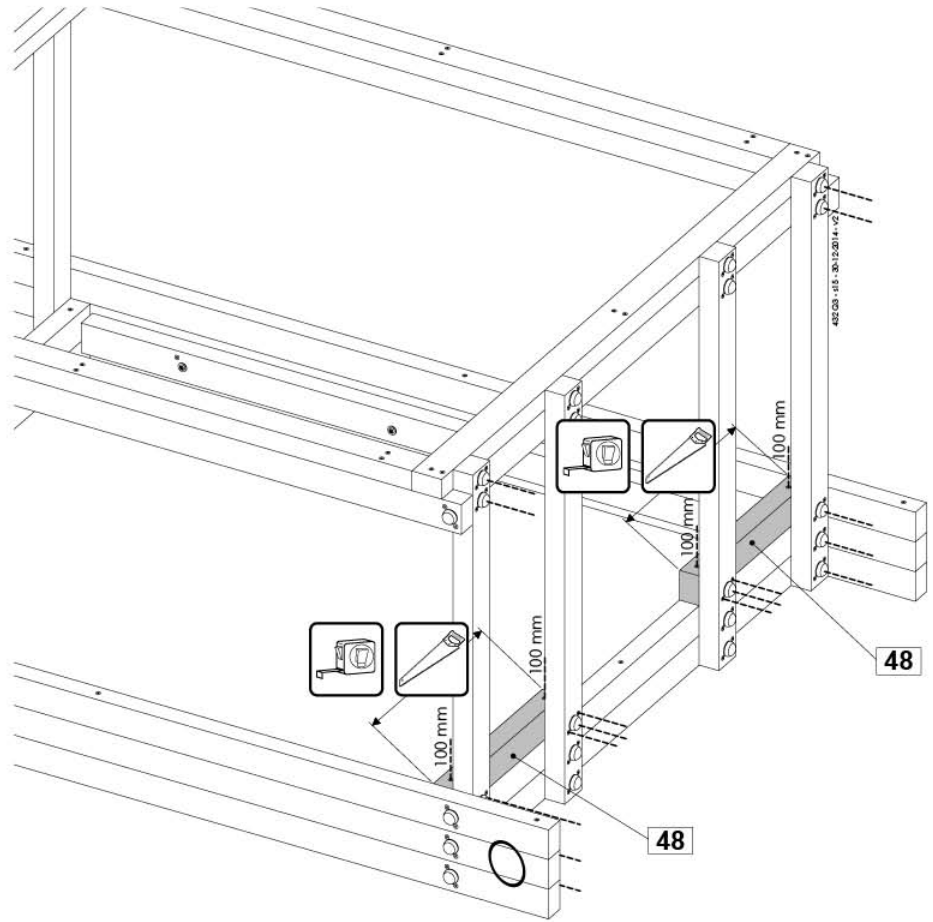
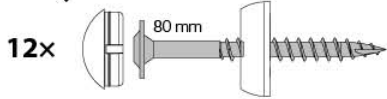


8x 80 mm

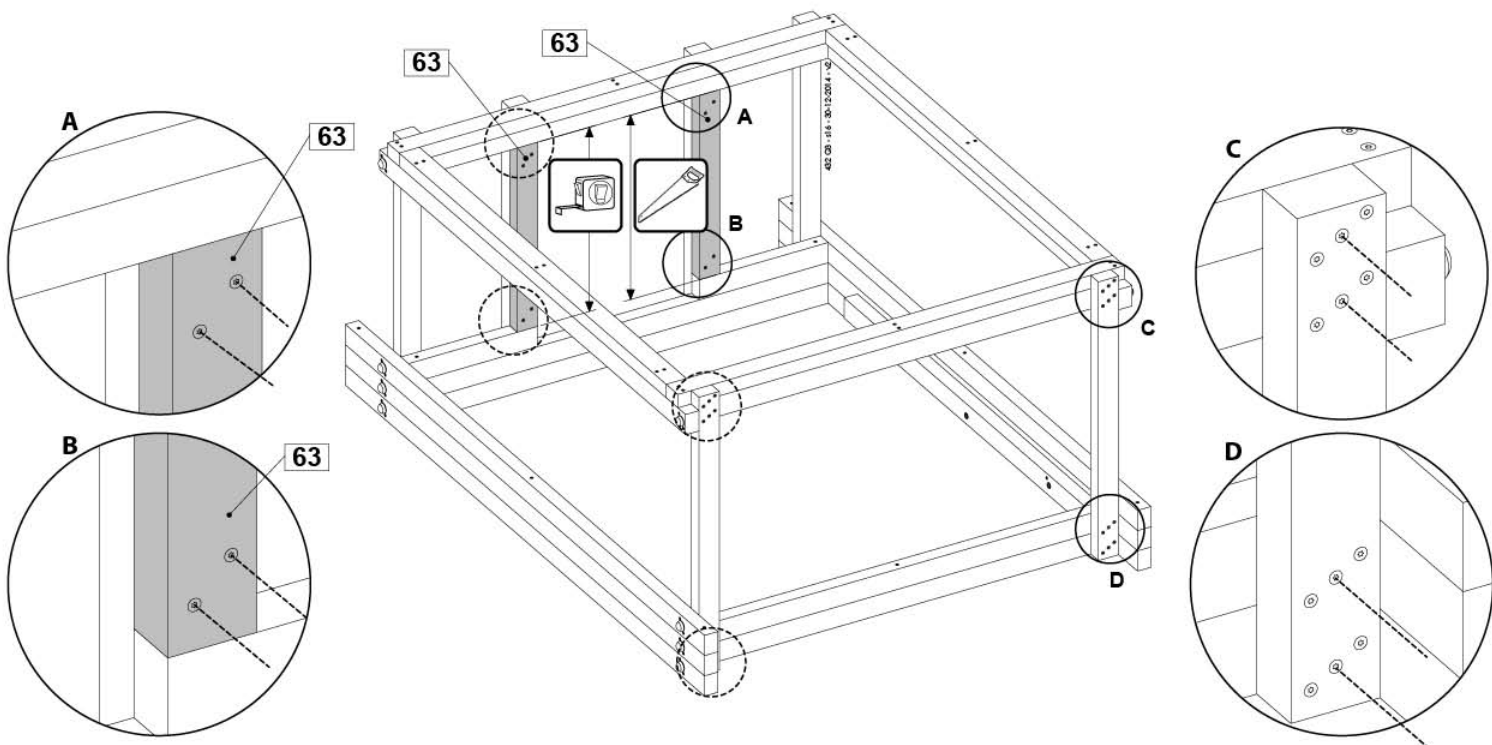
16x 80 mm



11.2o



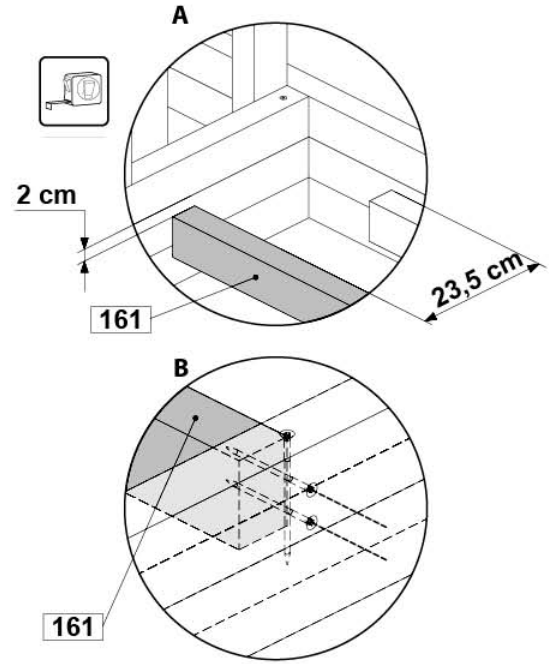
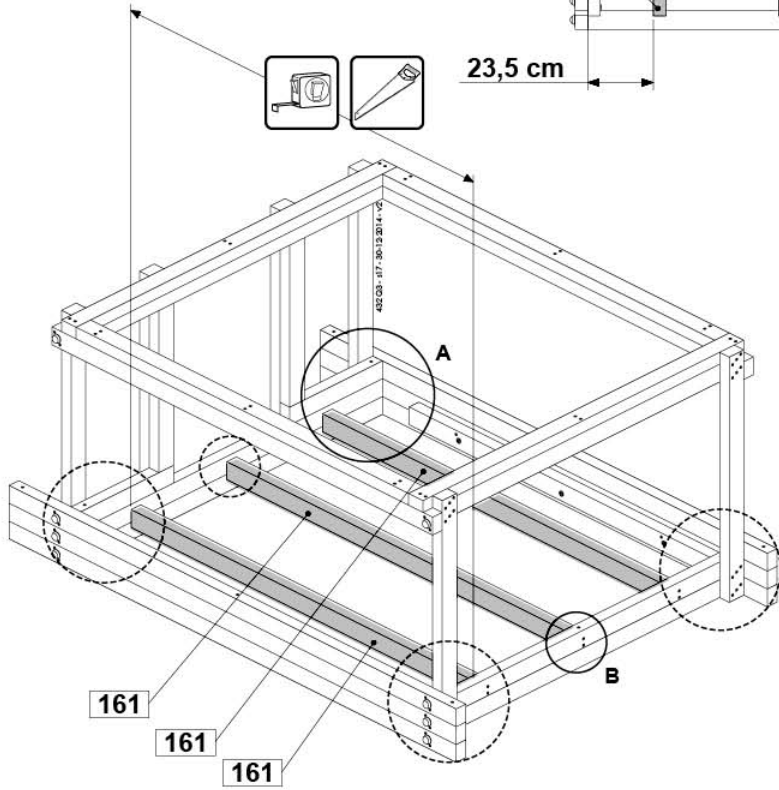
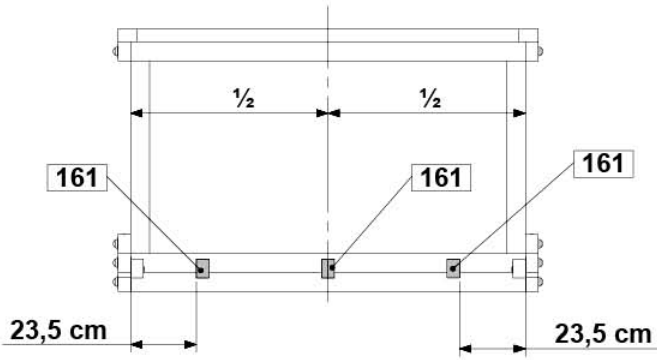
11.2p



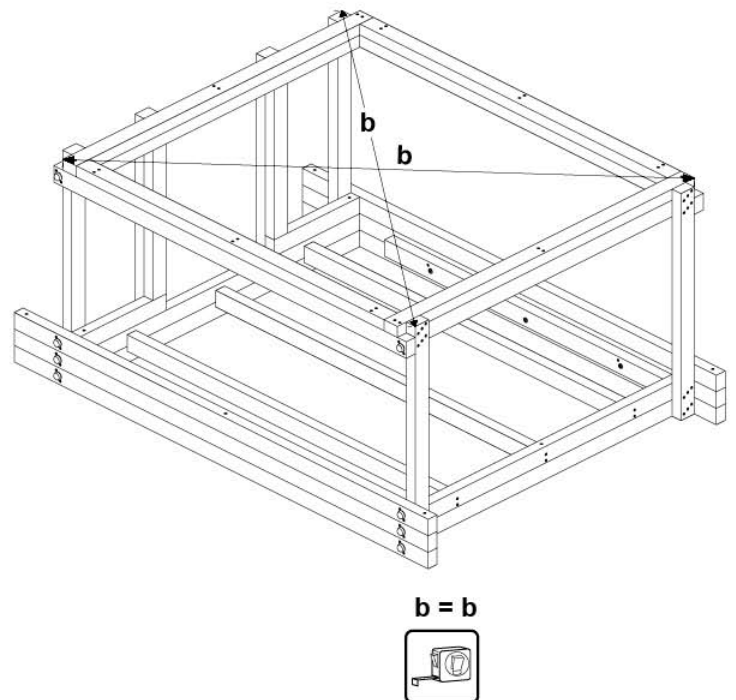
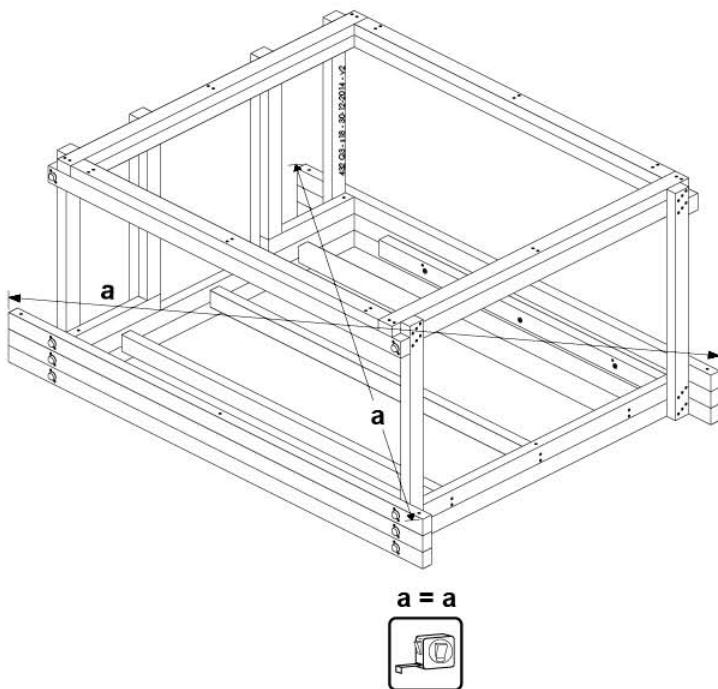
11.2q



12x 80 mm



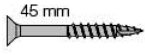
11.2r



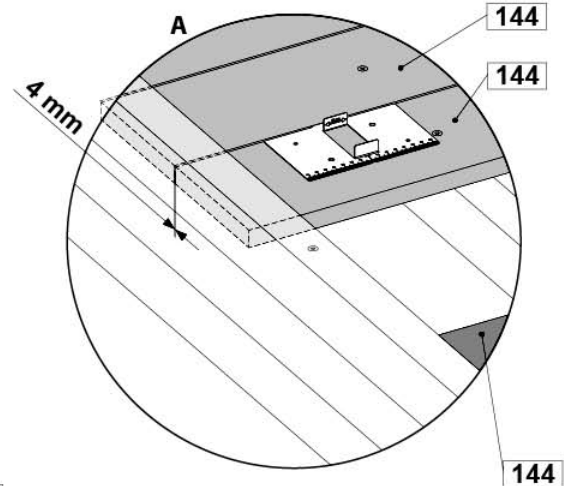
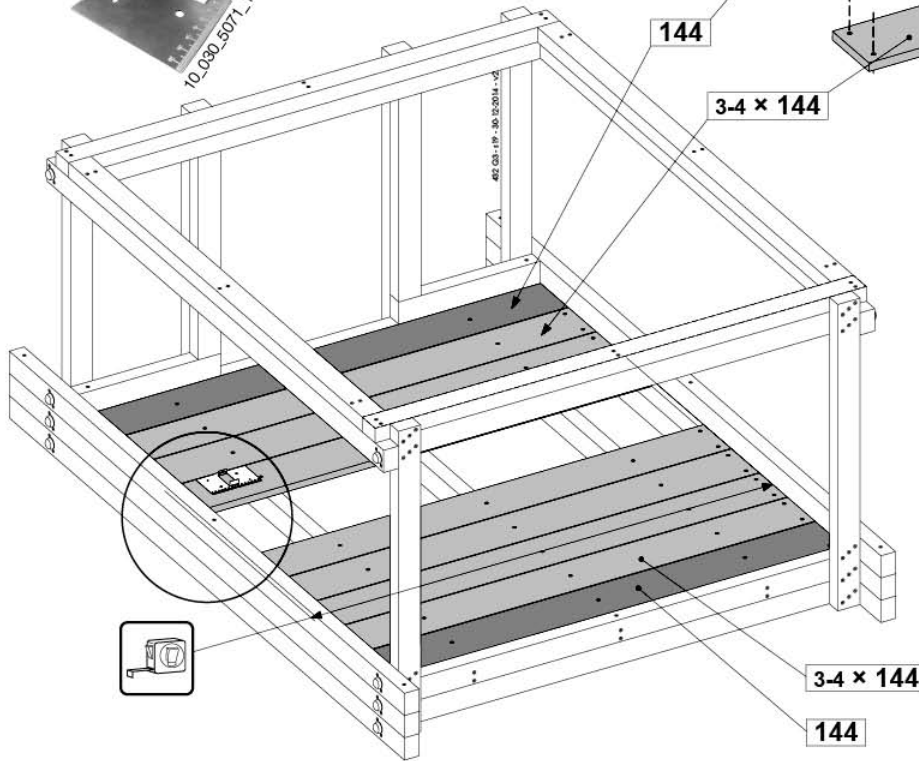
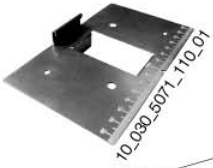
11.2s



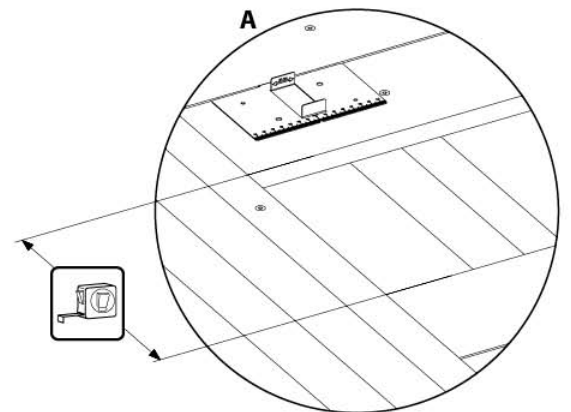
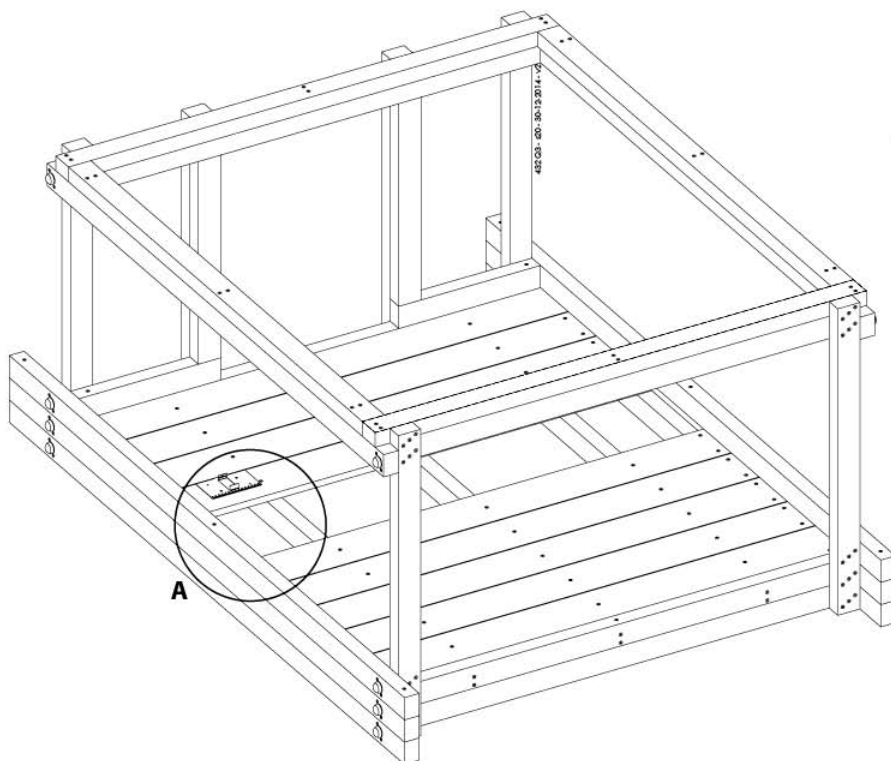
48 - 62x 45 mm



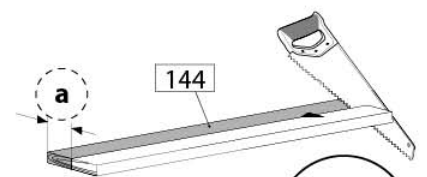
2x



11.2t



$$\frac{\text{Callout A} - 1,2 \text{ cm}}{2} = a$$

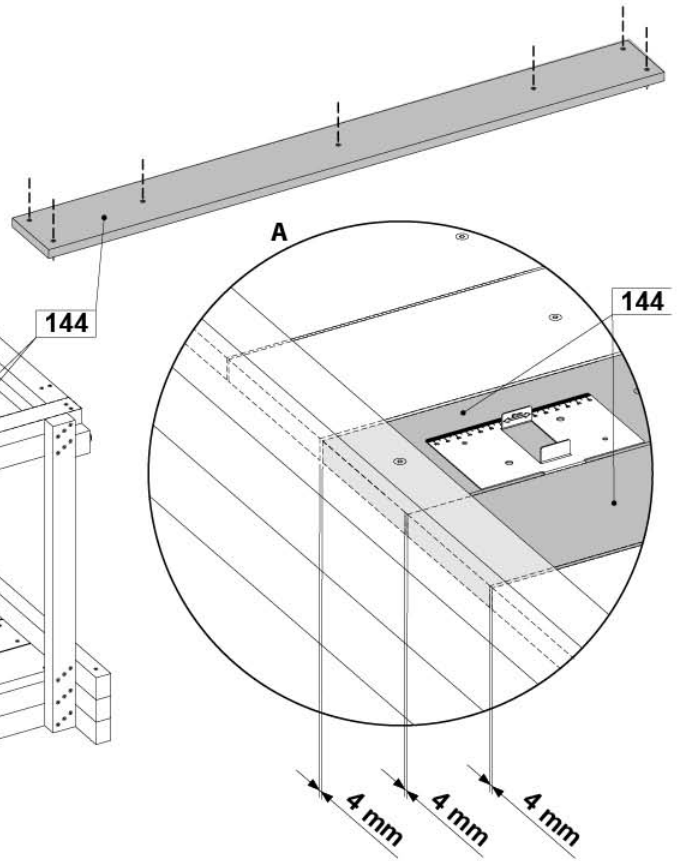
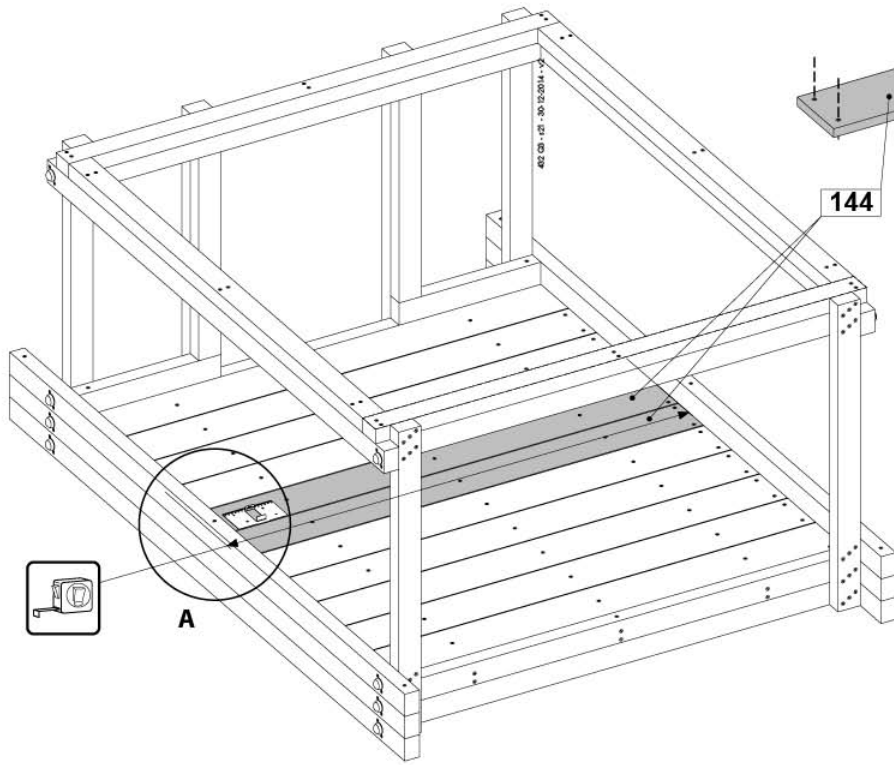


2x

11.2u



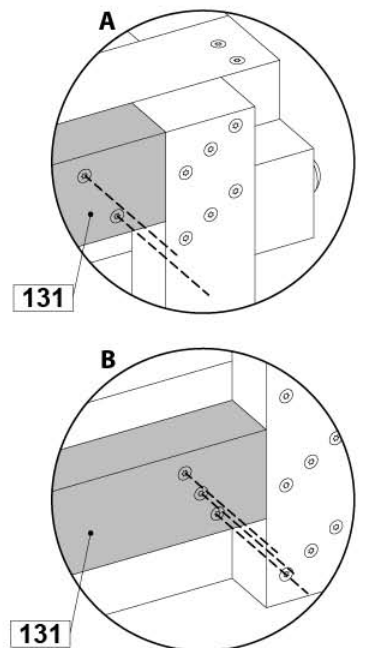
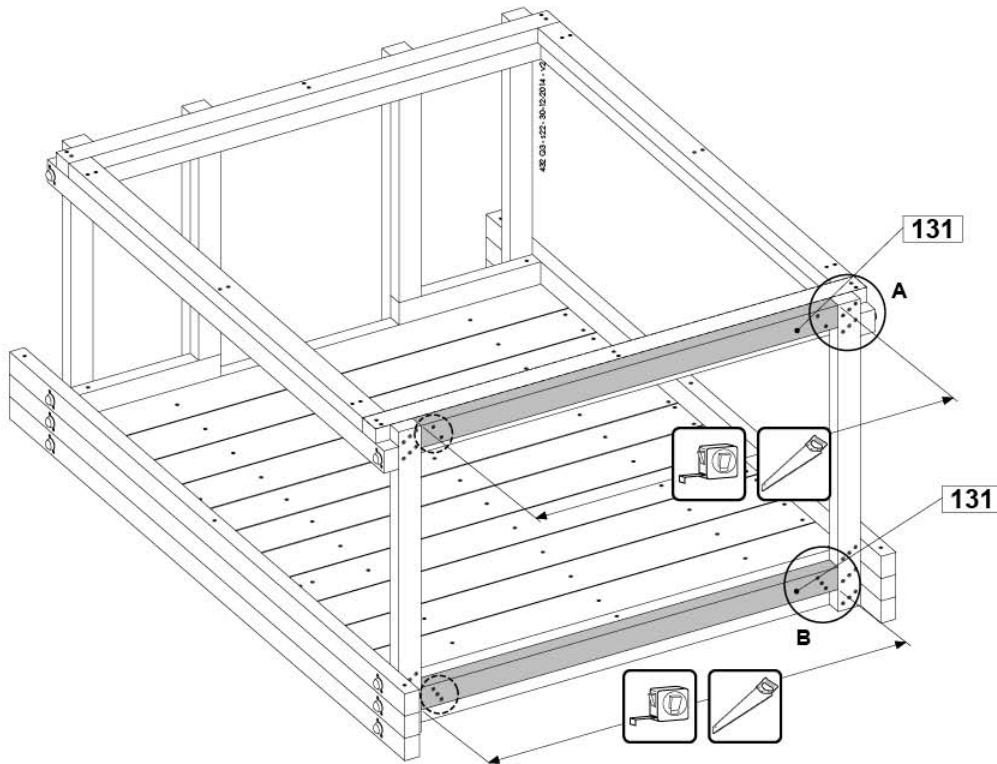
14x 45 mm



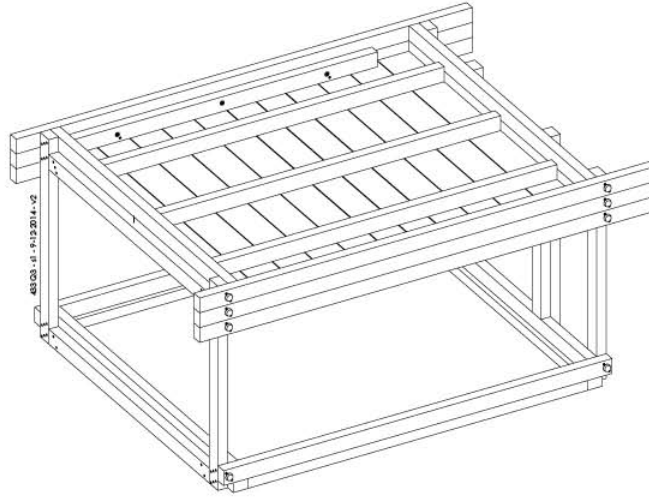
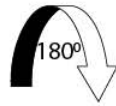
11.2v



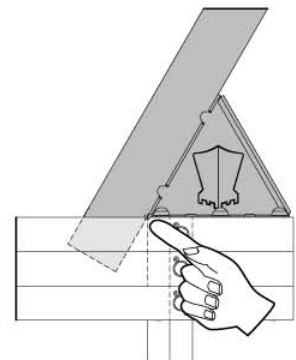
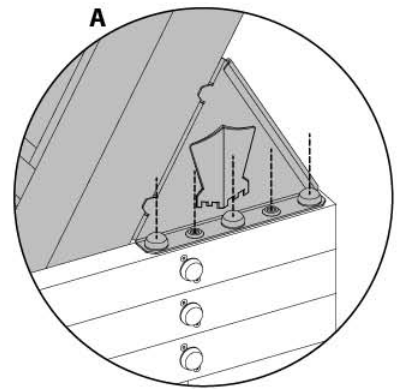
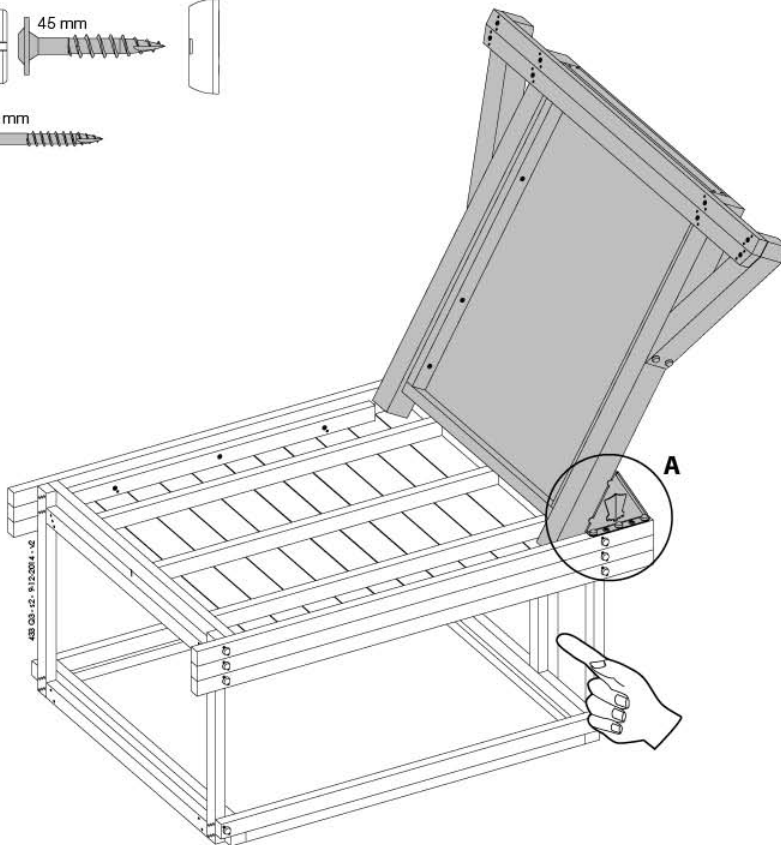
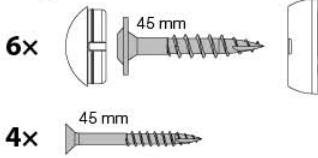
10x 80 mm



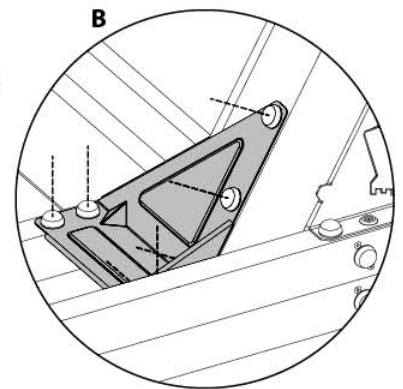
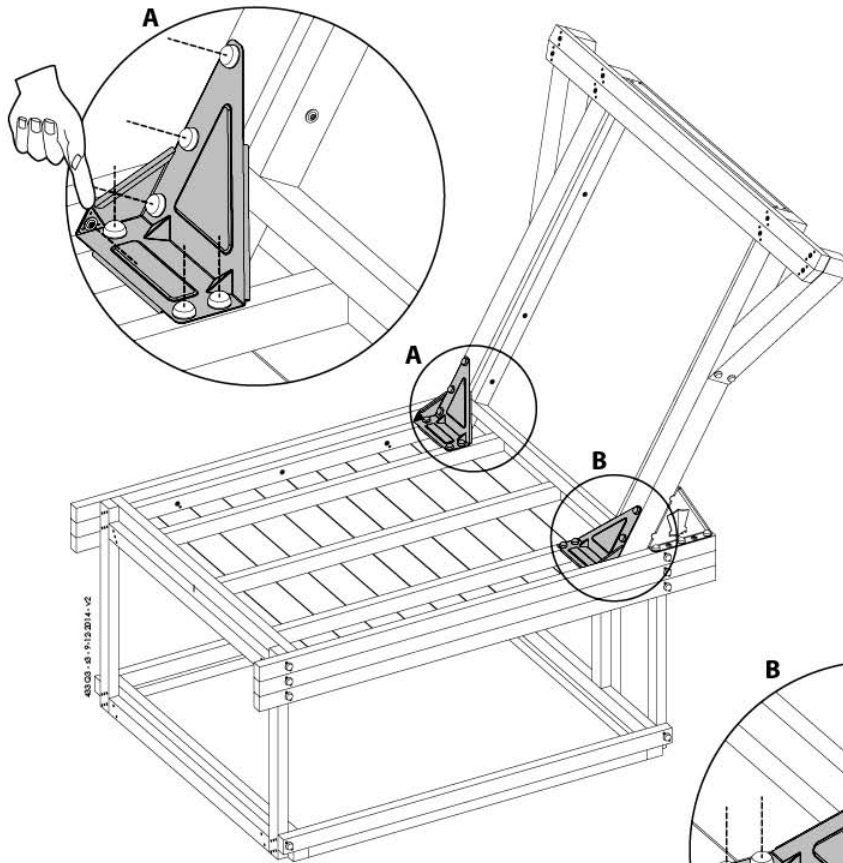
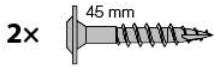
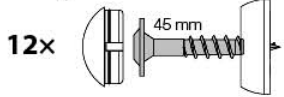
11.3a



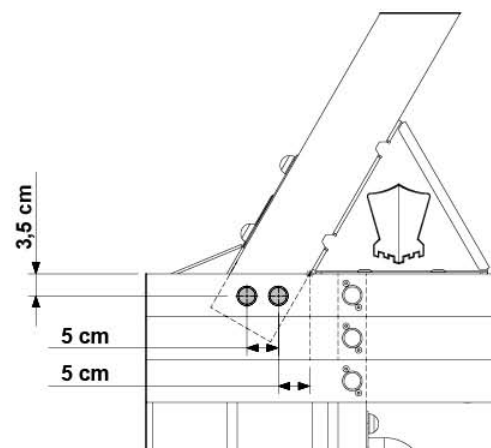
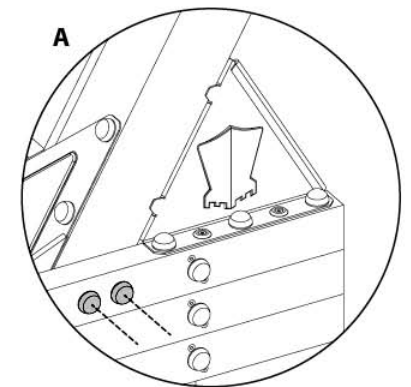
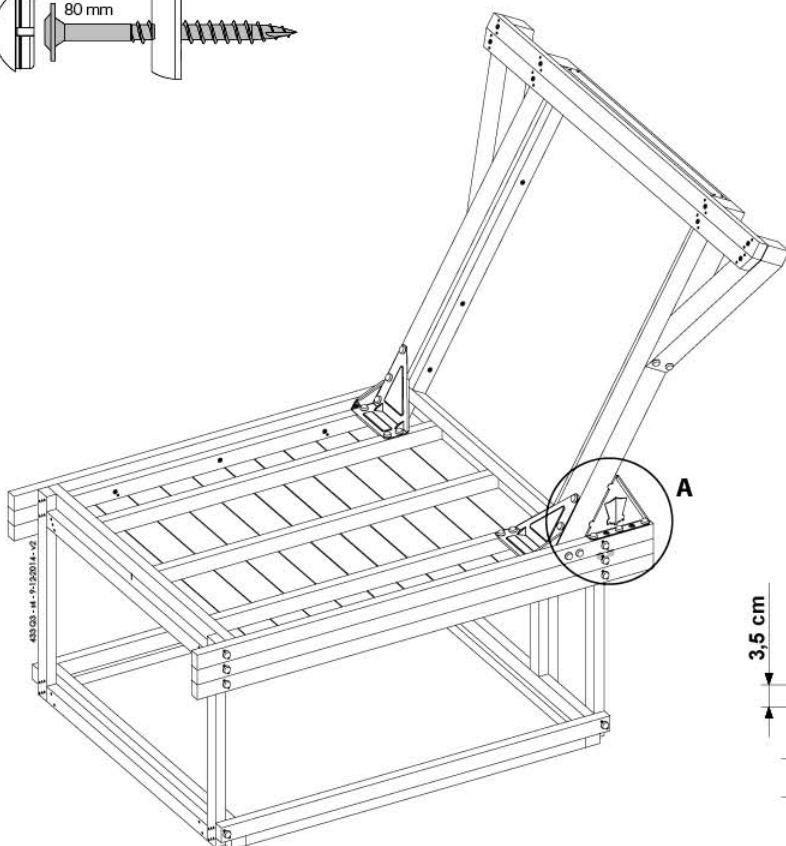
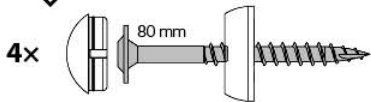
11.3b



11.3c



11.3d

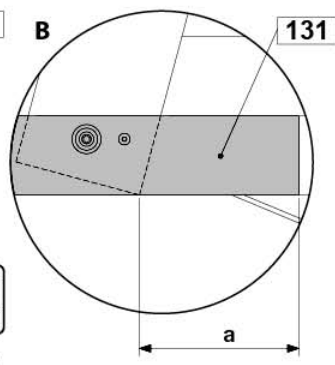
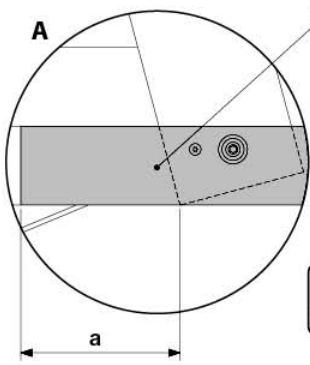
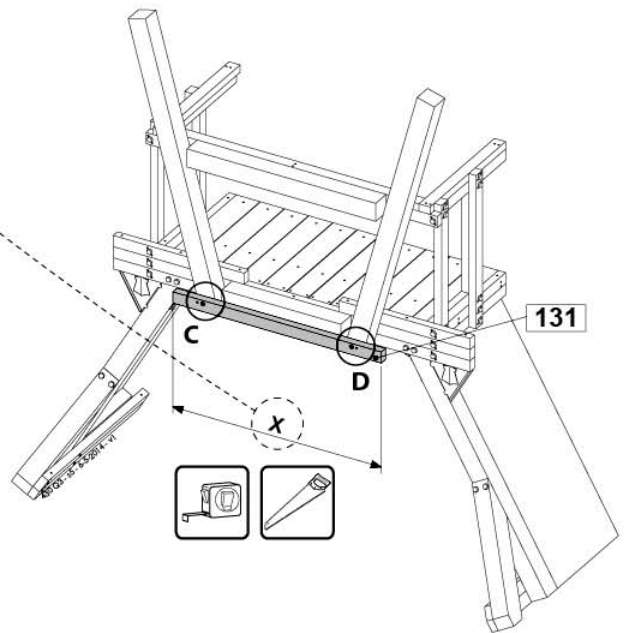
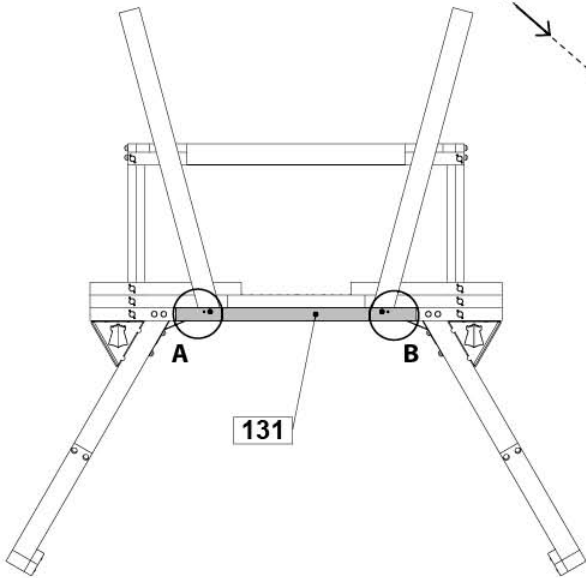
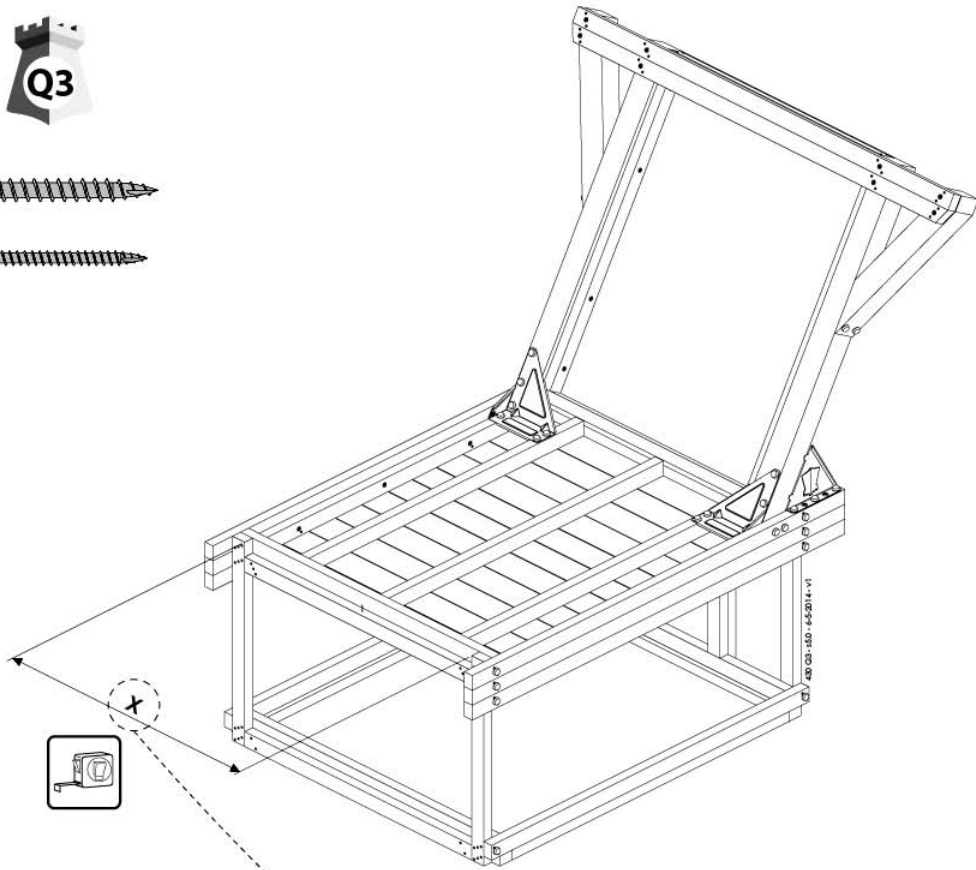


11.3e

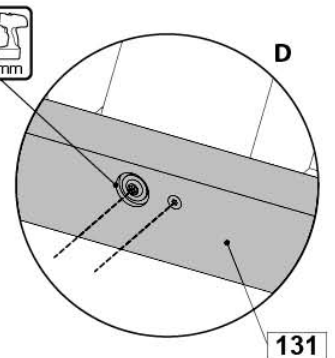
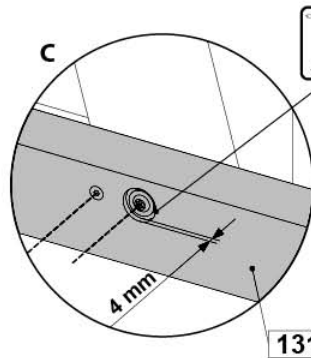


2x 80 mm

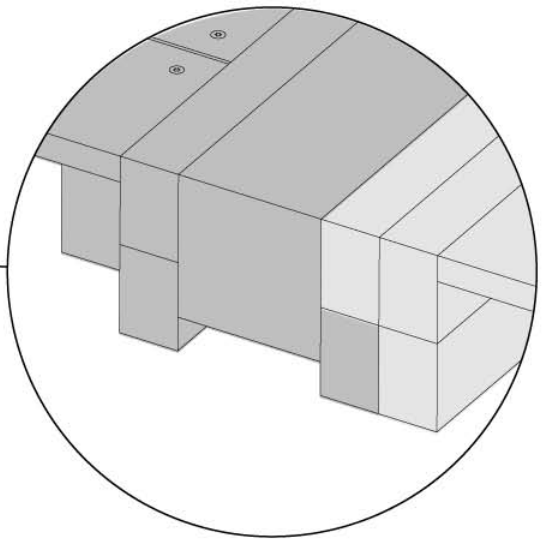
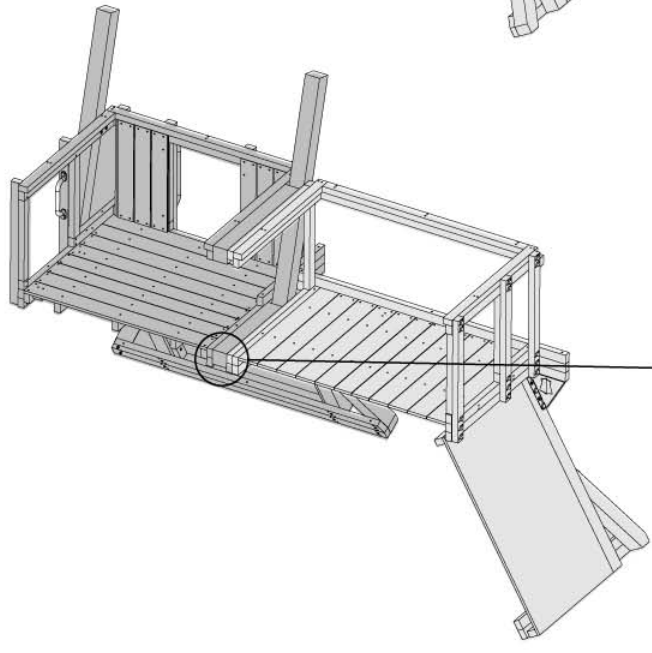
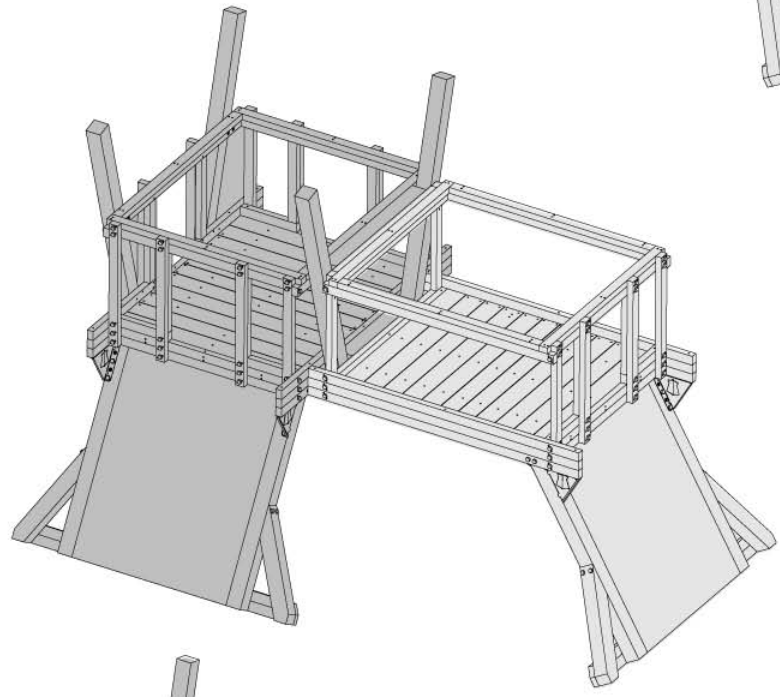
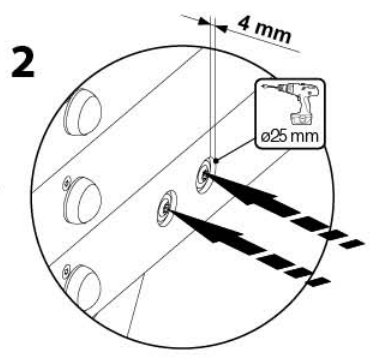
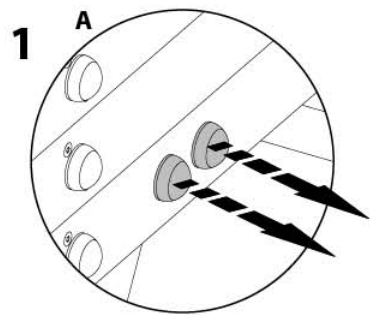
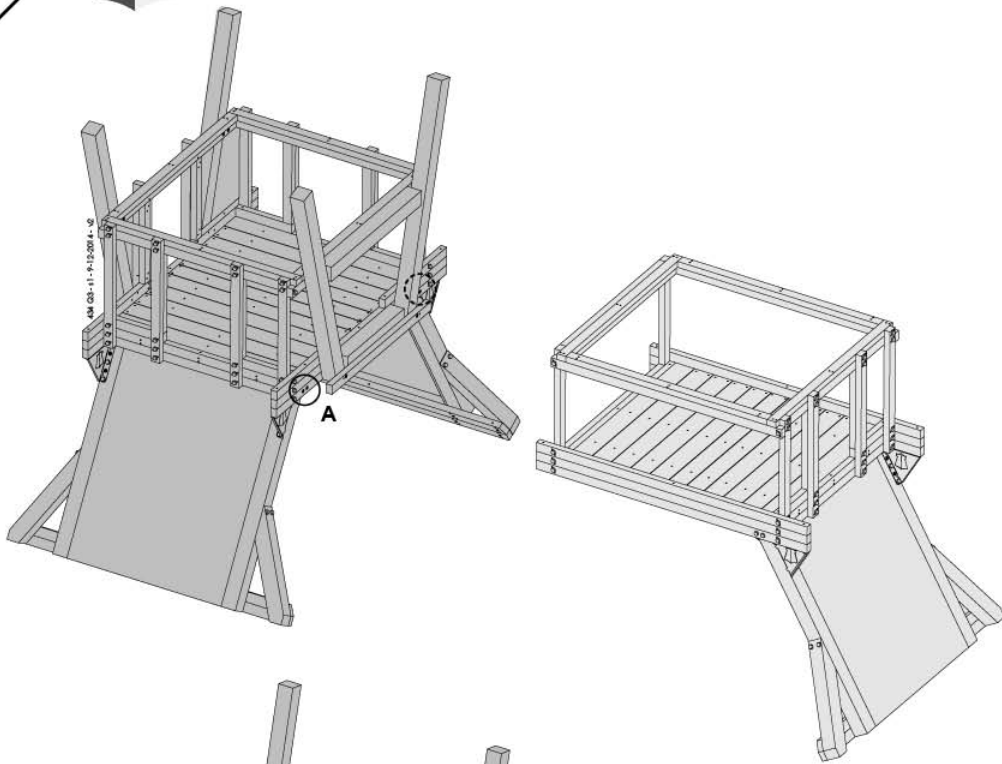
2x 80 mm



a = a



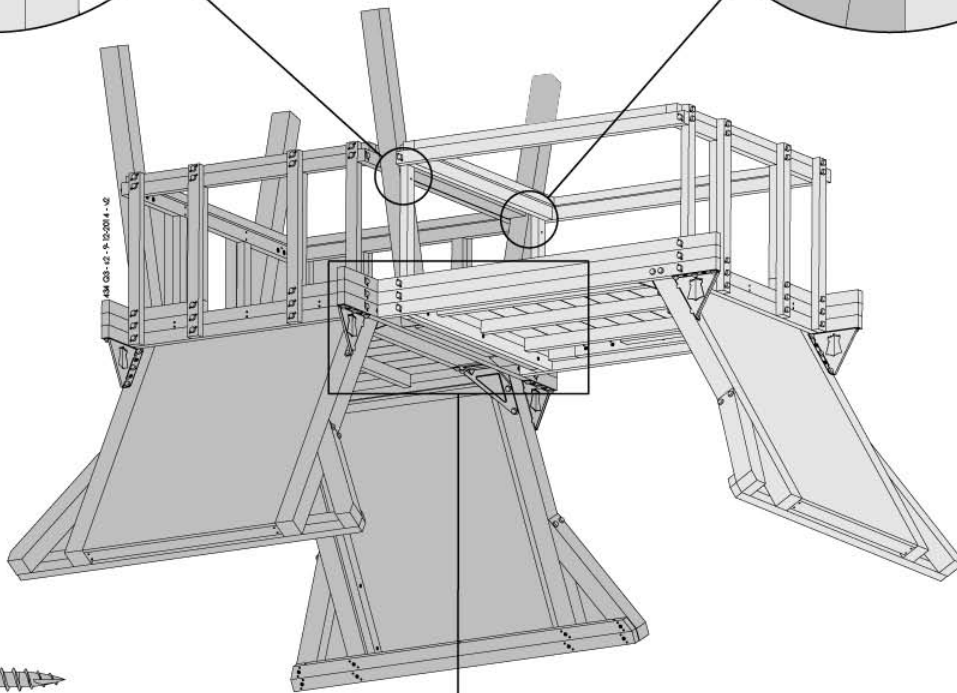
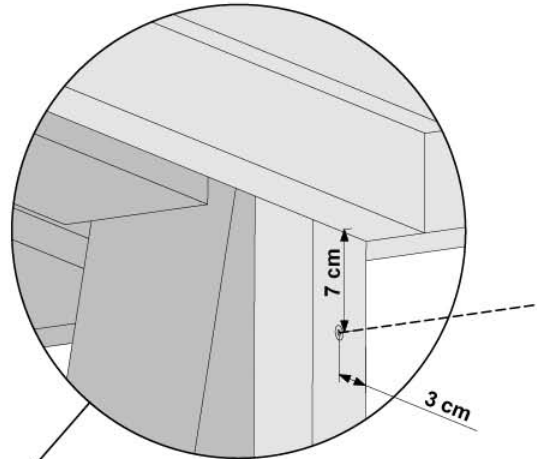
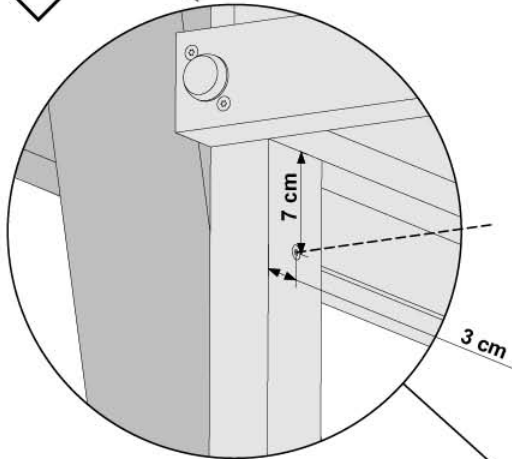
11.4a



11.4b

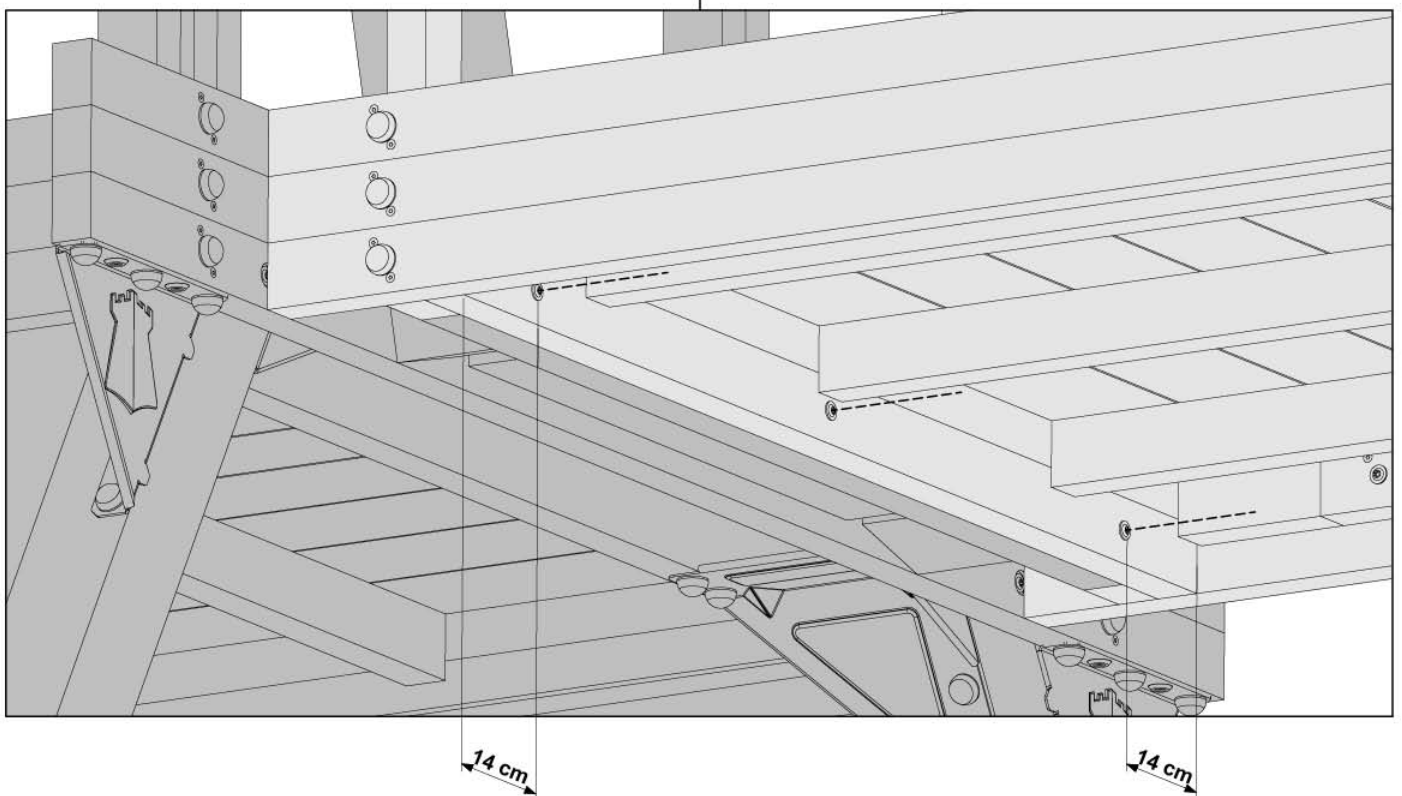


2x



11.4c

3x



11.4d



2x



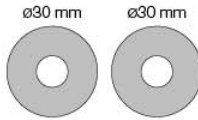
180 mm

ø30 mm

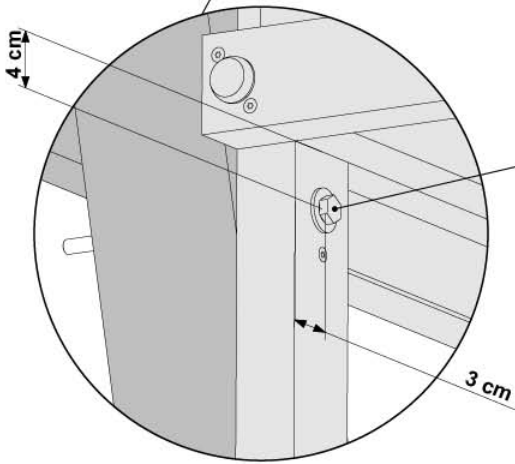
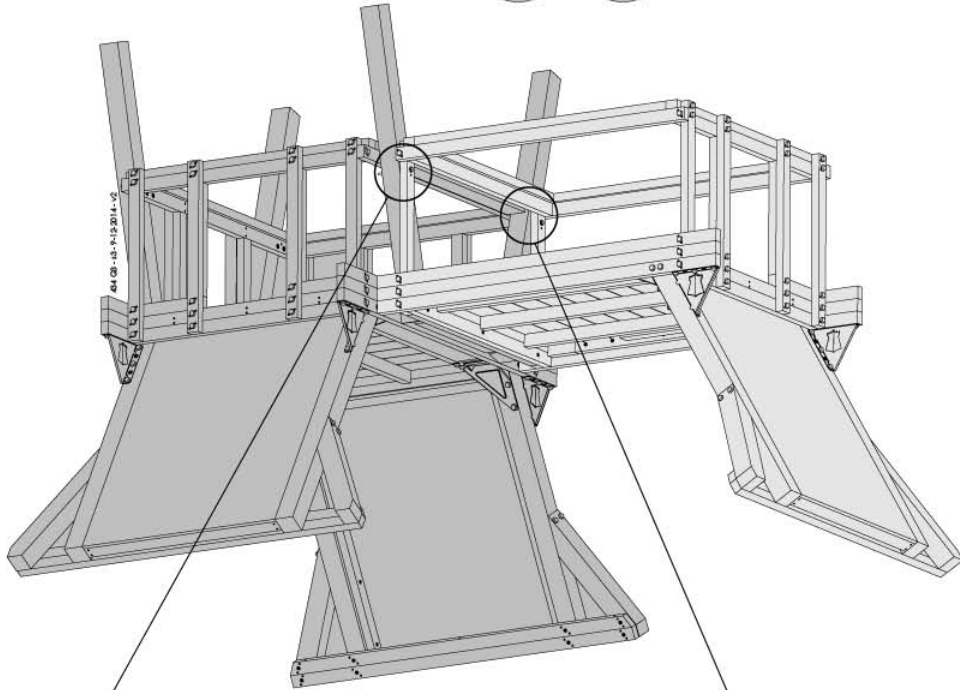
ø30 mm

M10

M10



ø11 mm

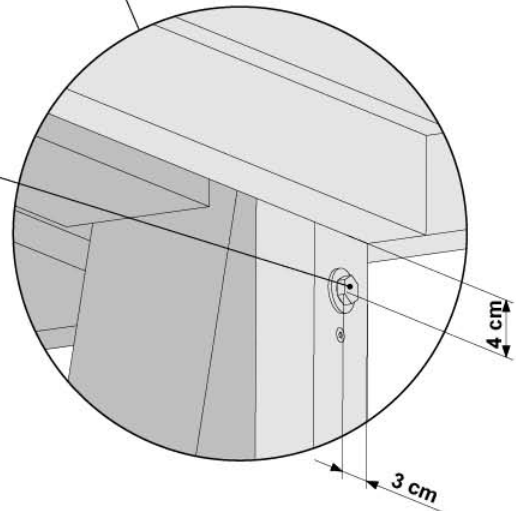


4 cm

3 cm



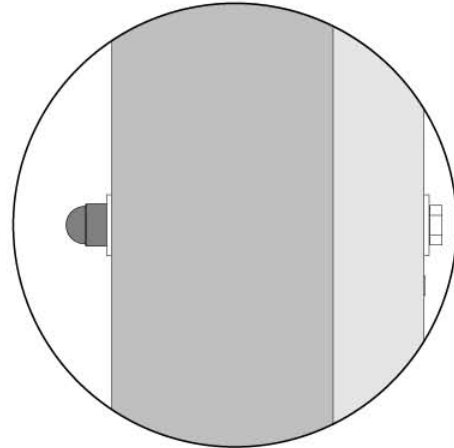
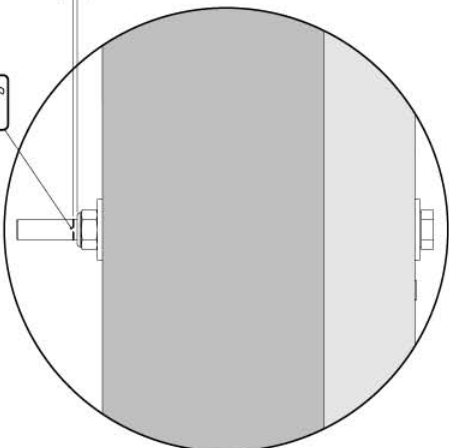
ø11 mm



4 cm

3 cm

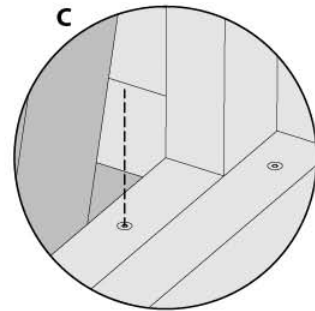
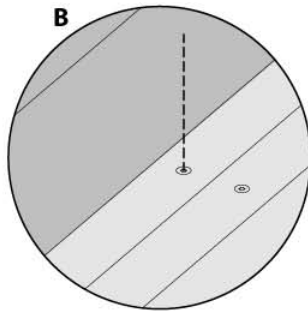
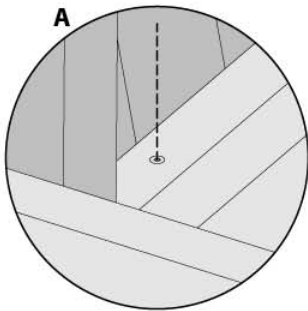
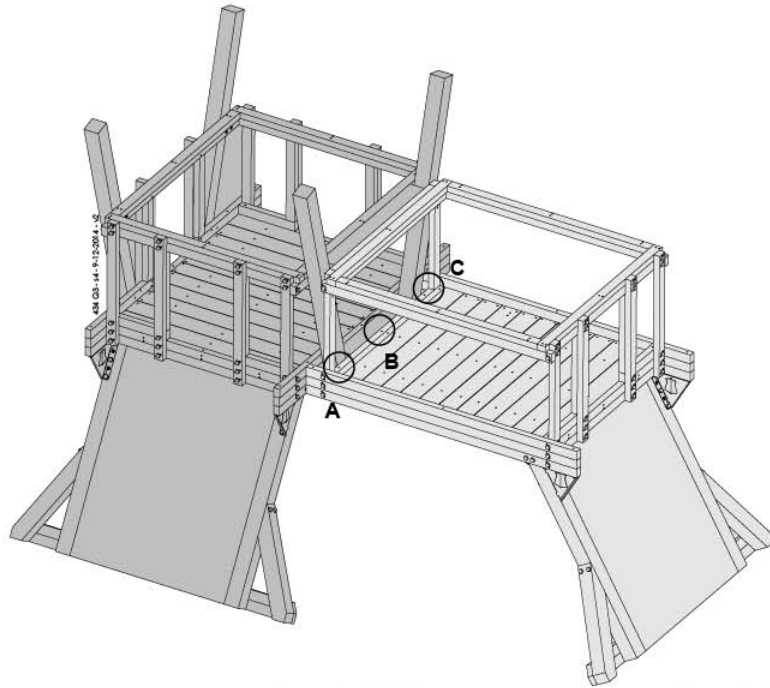
min. 0 mm
max. 4 mm



11.4e



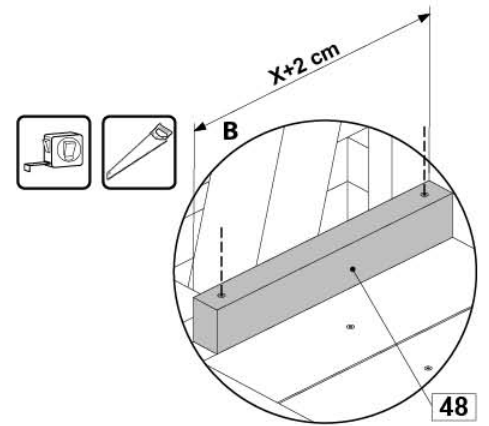
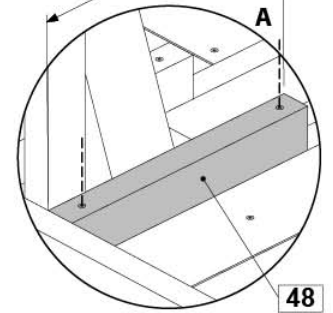
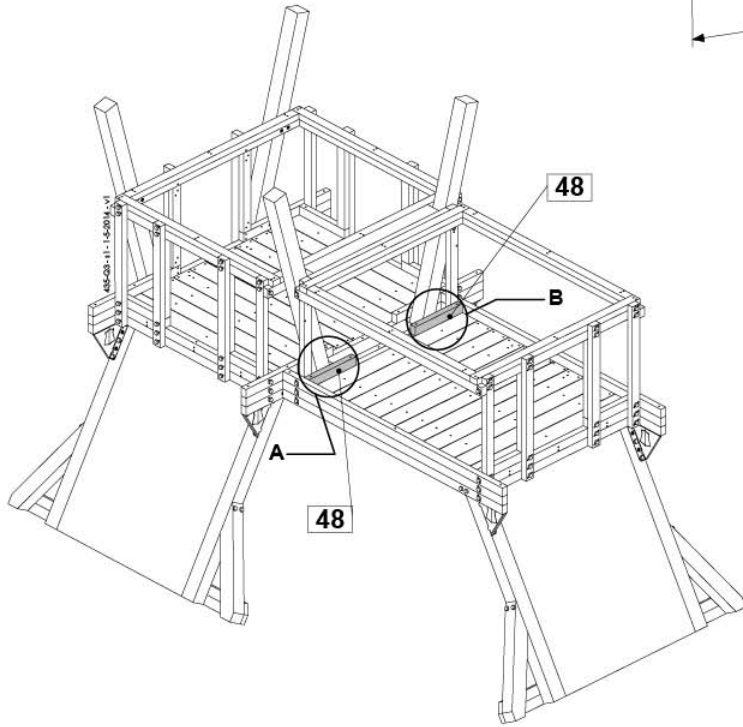
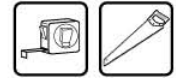
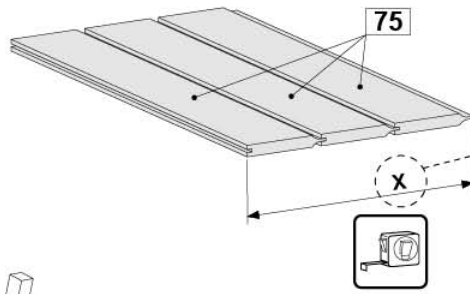
3x 100 mm 



11.4f



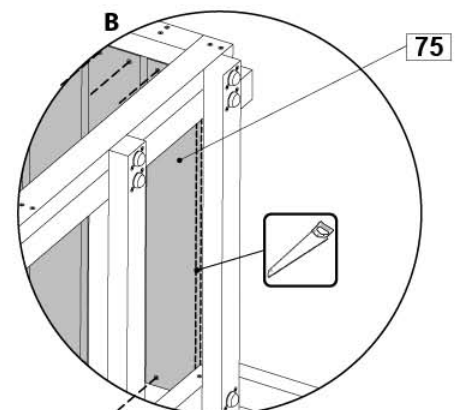
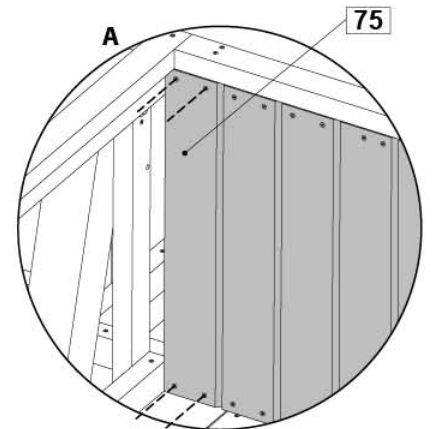
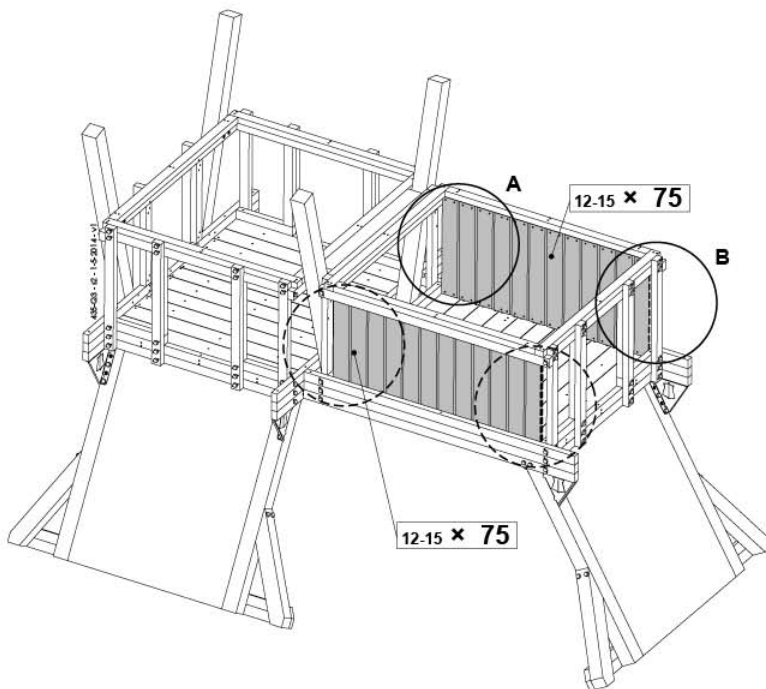
4x 100 mm



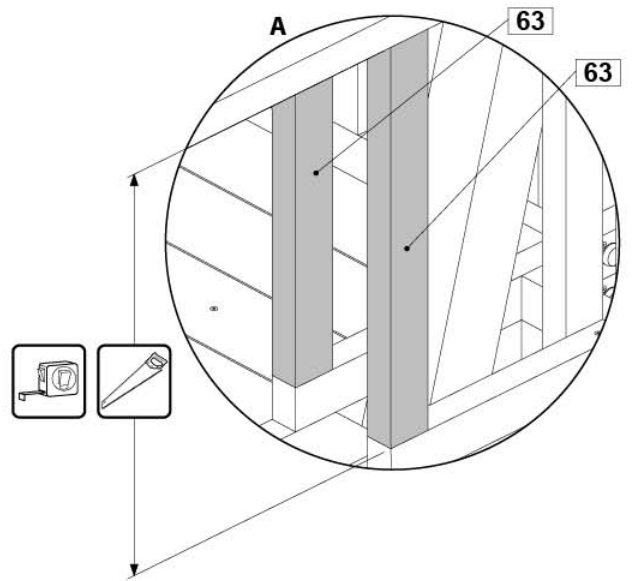
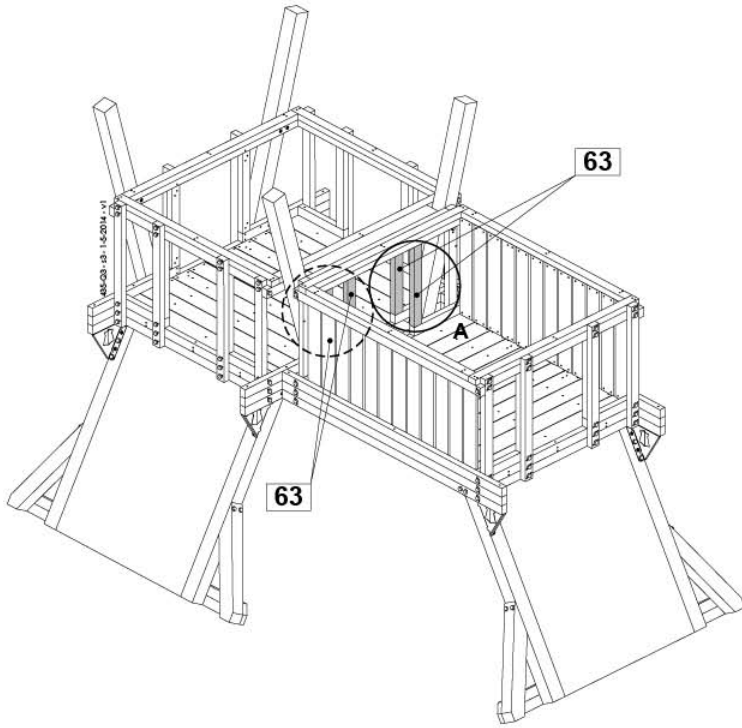
11.4g



96 - 120x 45 mm



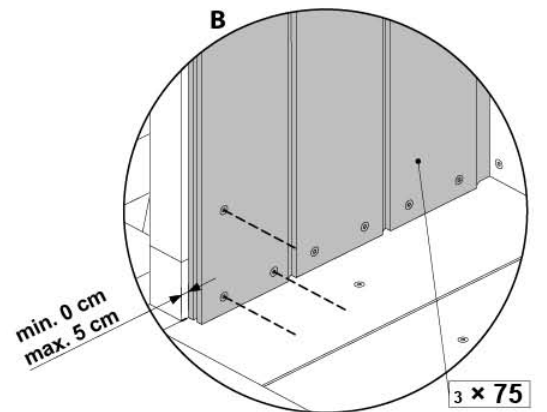
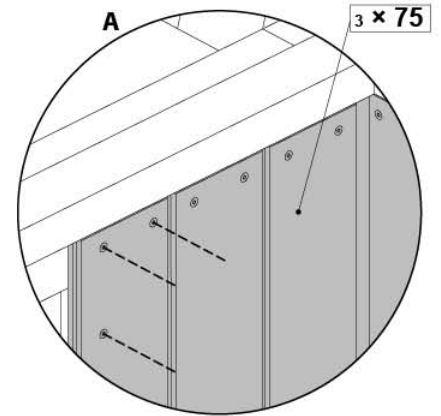
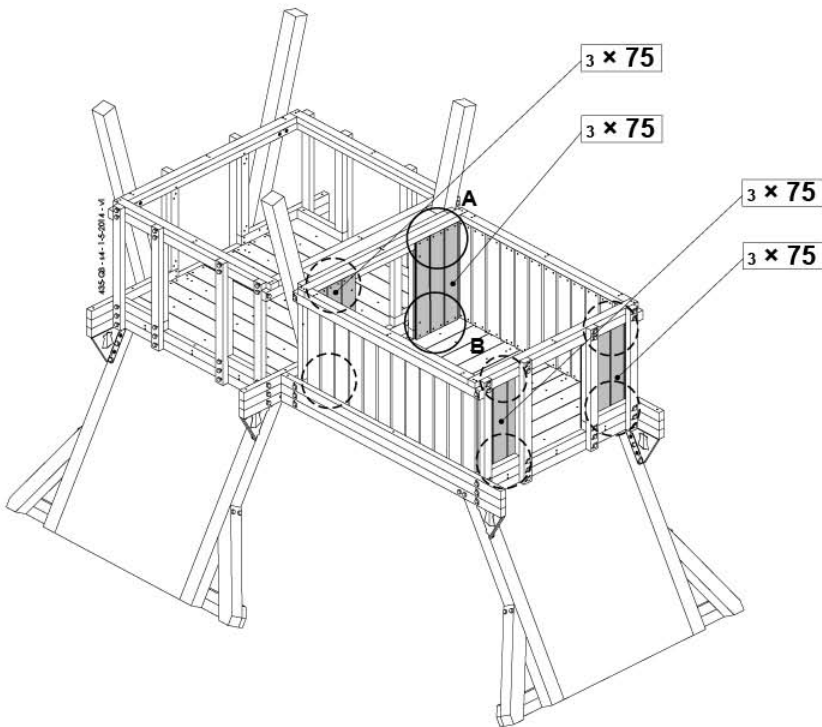
11.4h



11.4i



56x 45 mm

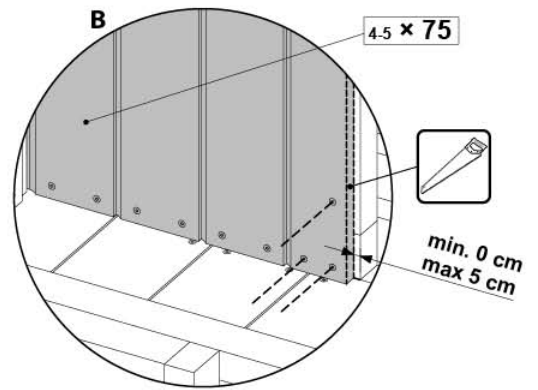
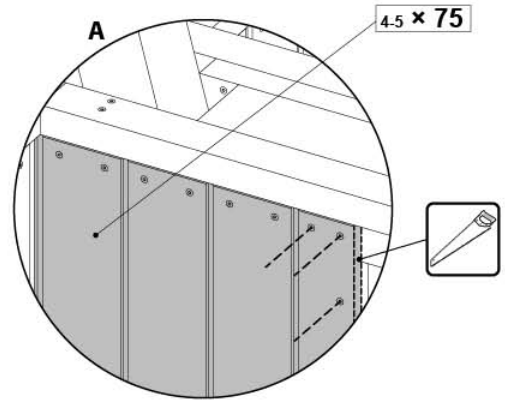
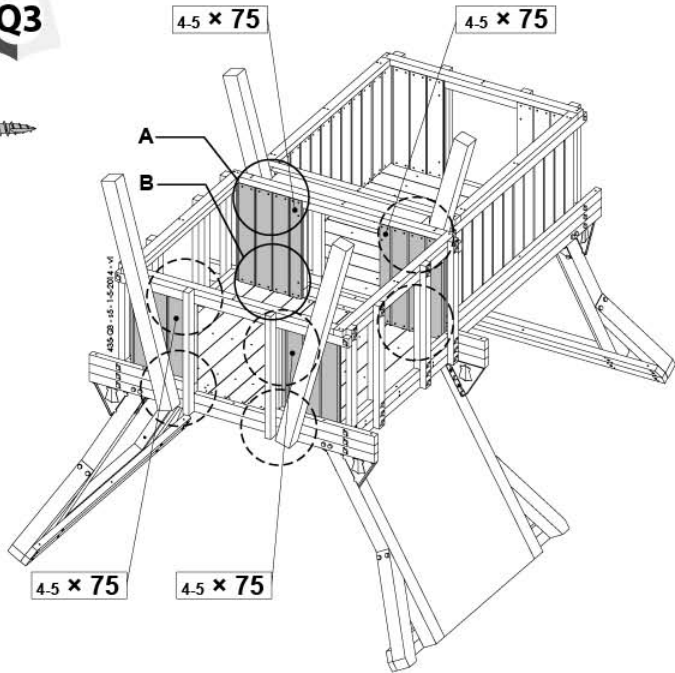
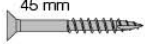


11.4j



72 - 88x

45 mm

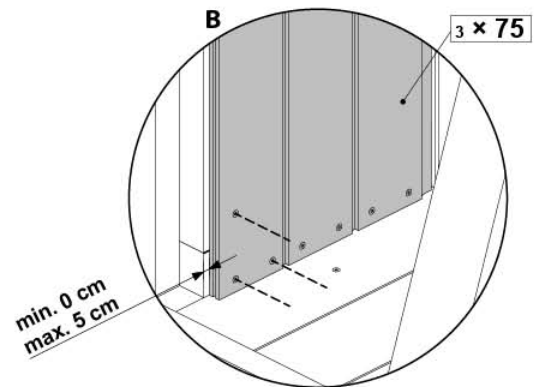
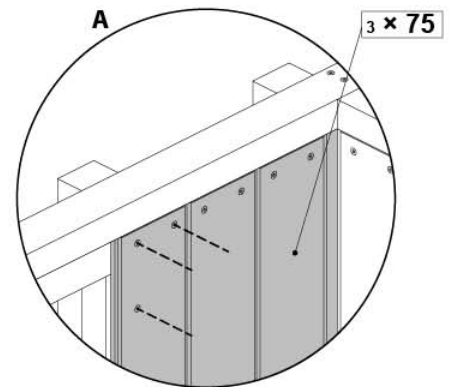
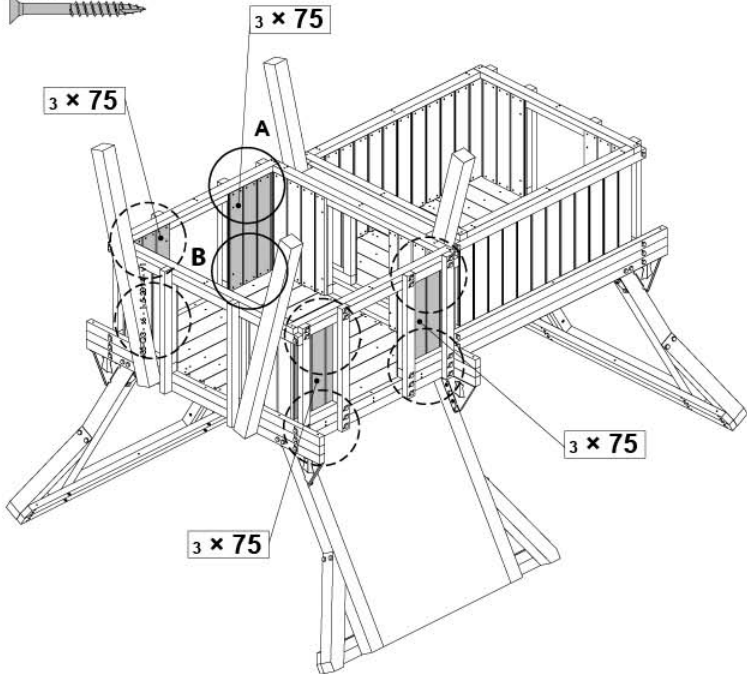


11.4k

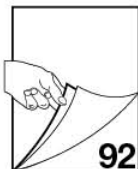
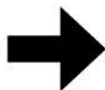


56x

45 mm

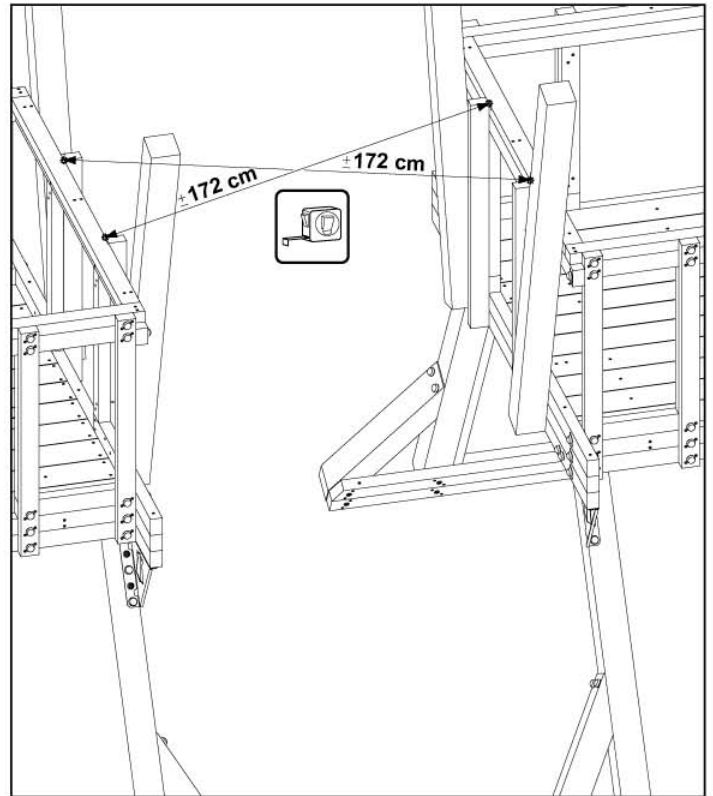
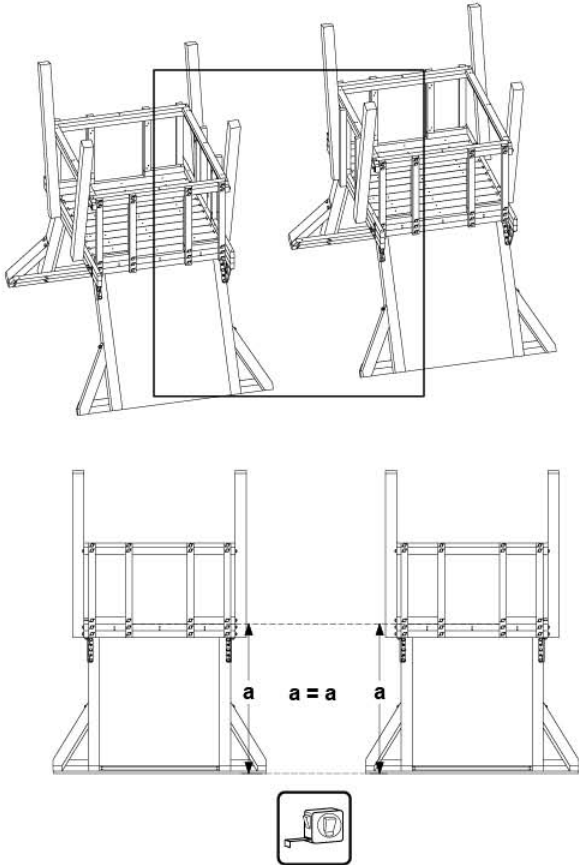


11.4L



13

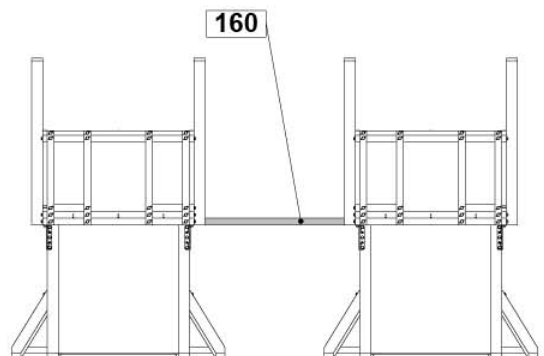
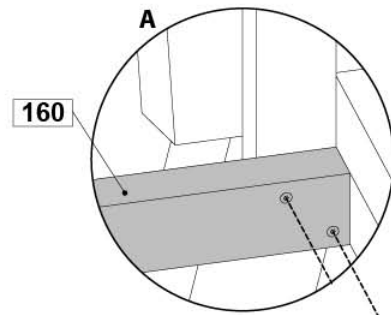
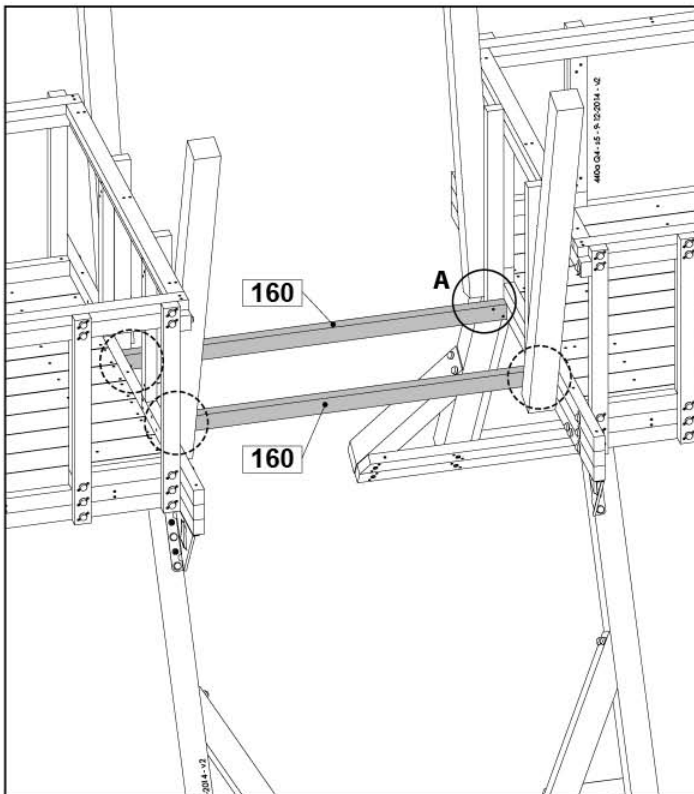
12.1a



12.1b



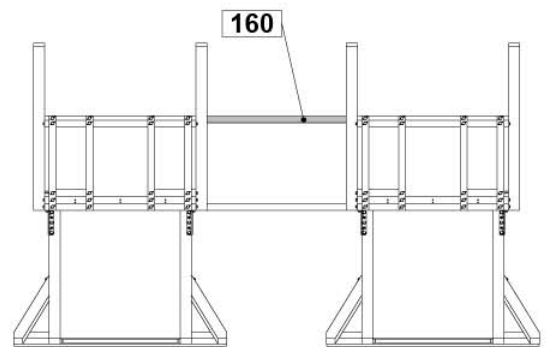
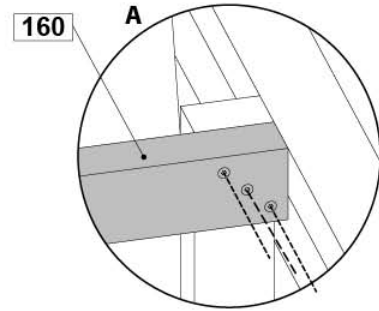
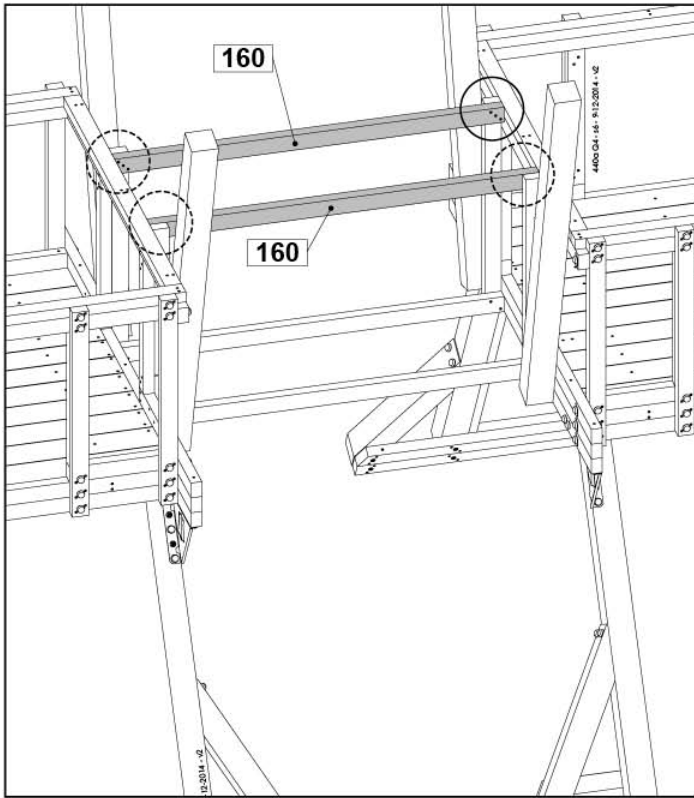
8x 80 mm



12.1c



12x



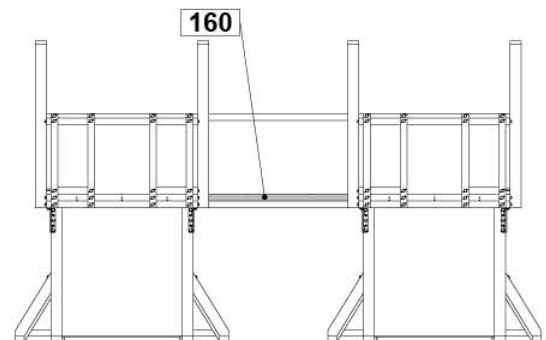
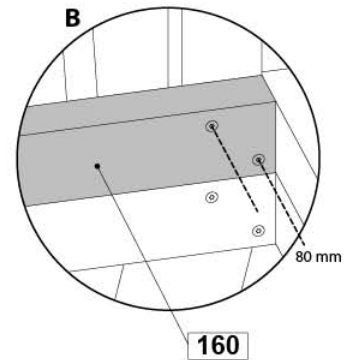
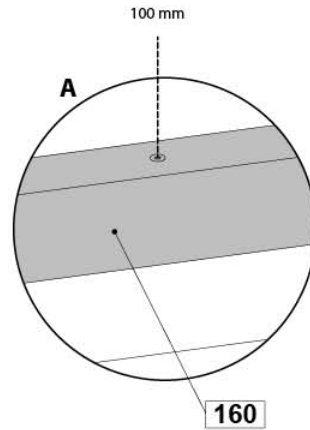
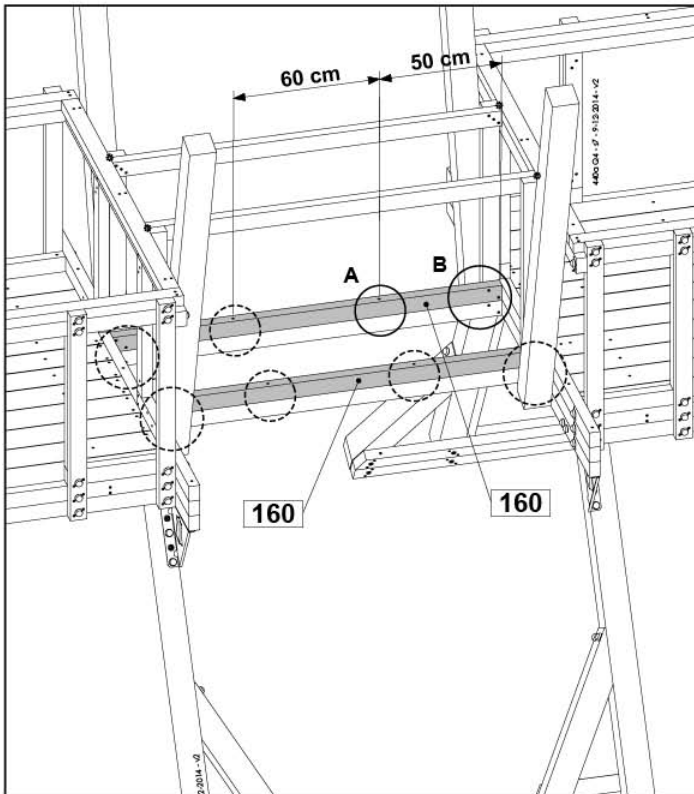
12.1d



4x



8x

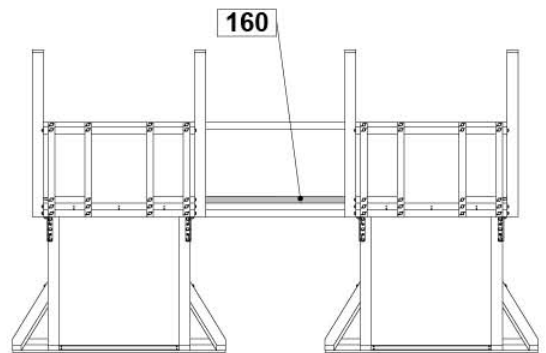
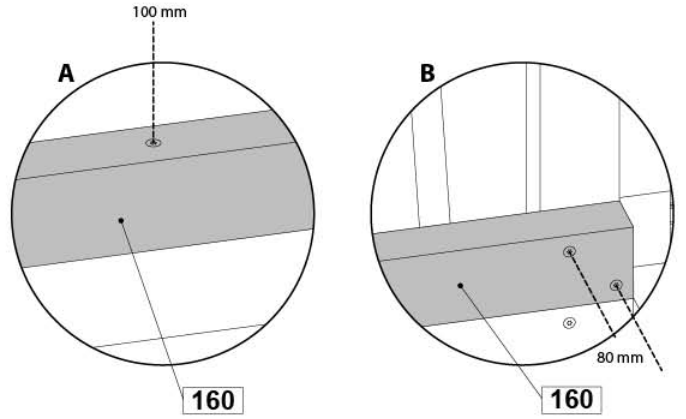
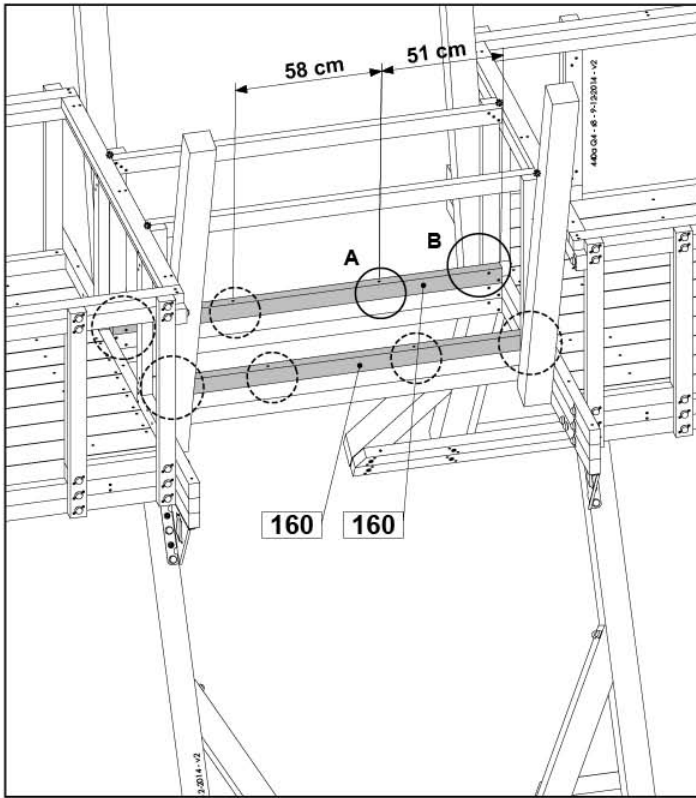


12.1e



4x 100 mm

8x 80 mm

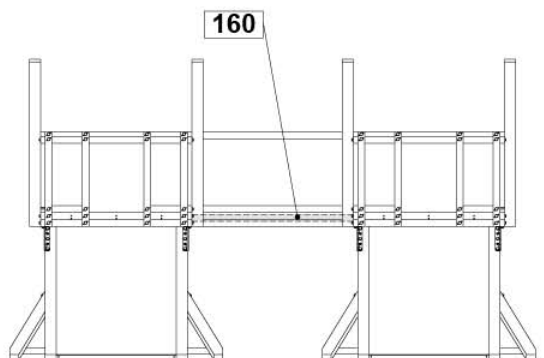
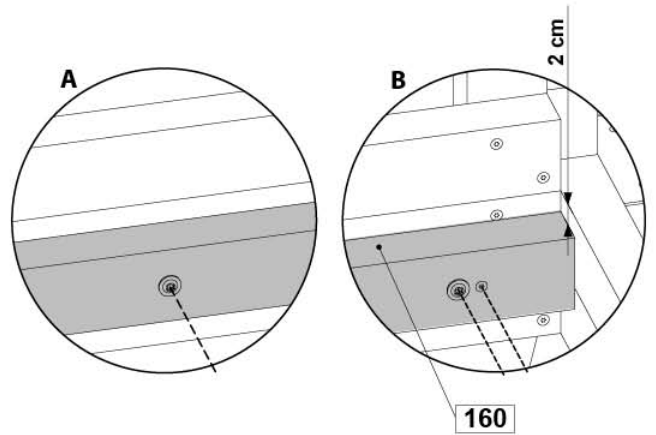
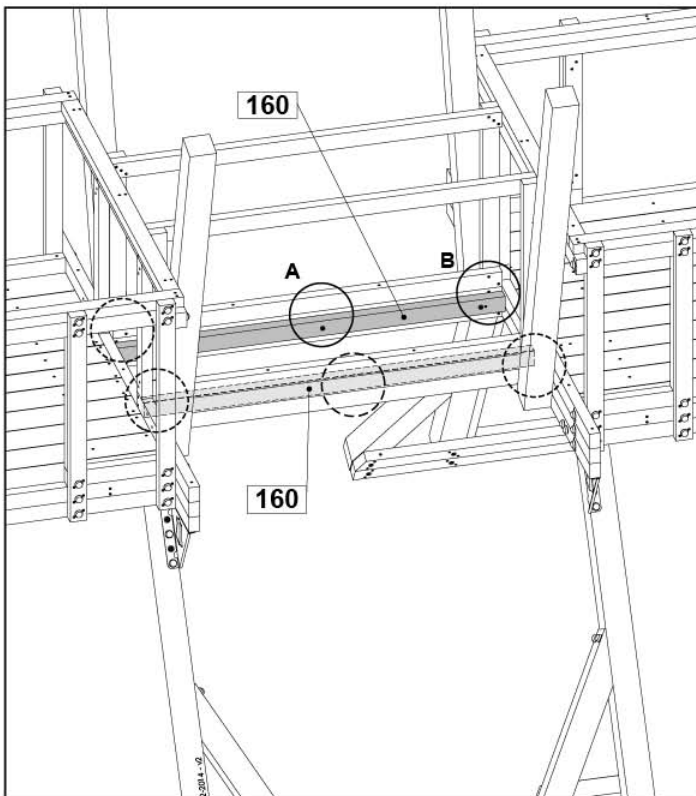


12.1f



6x 80 mm

4x 80 mm

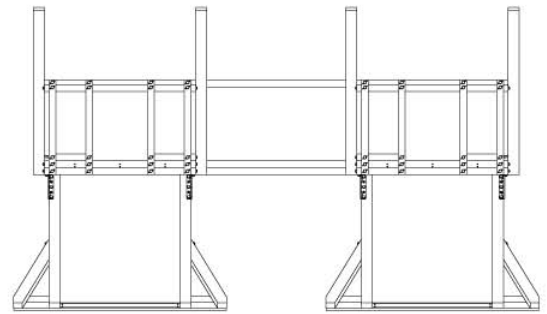
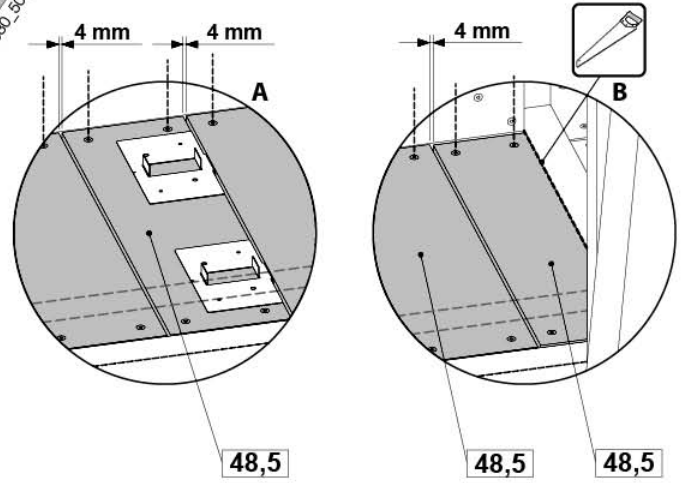
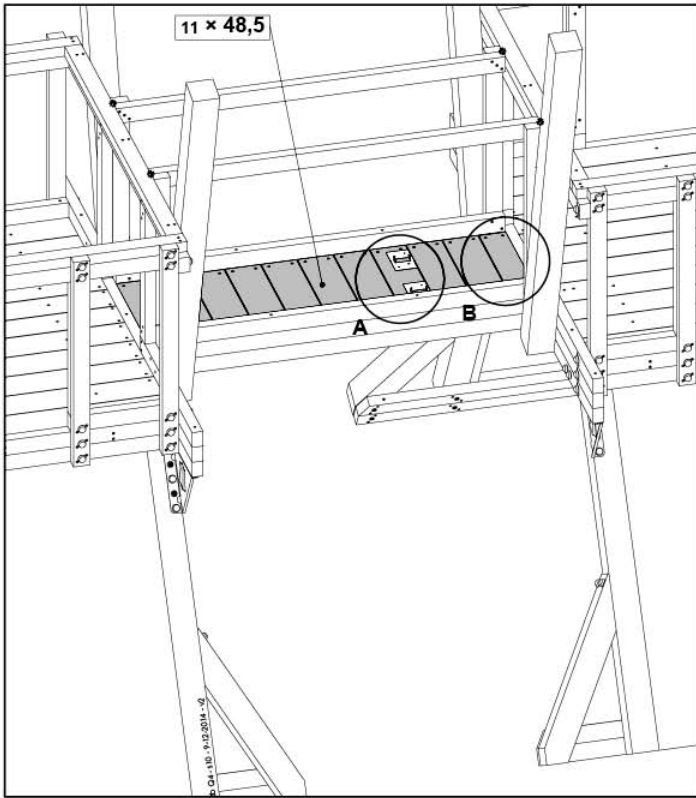
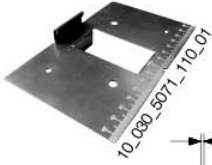


12.1g



44x 45 mm

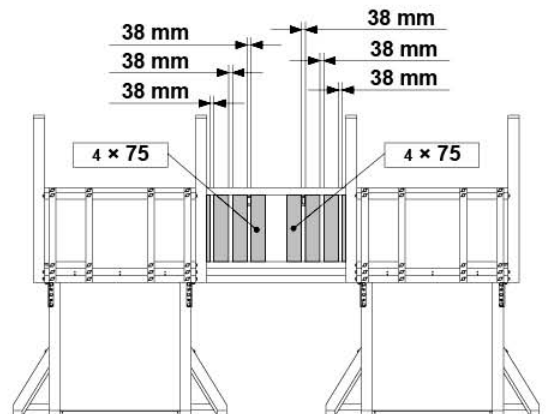
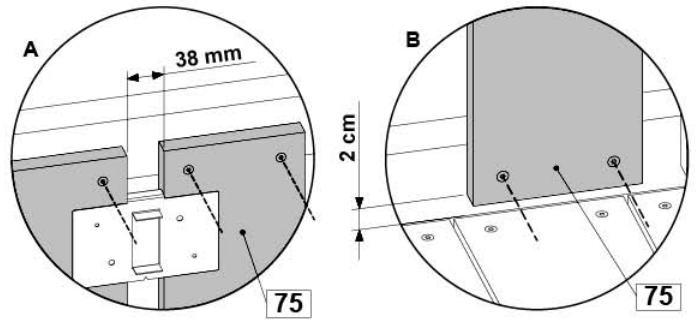
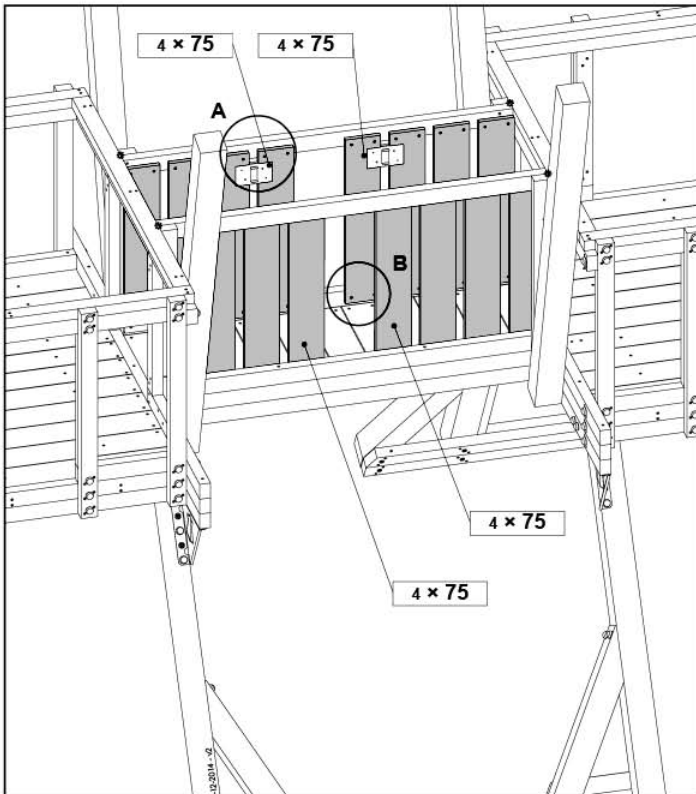
2x



12.1h



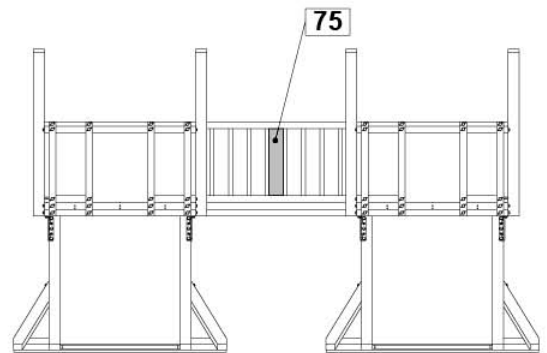
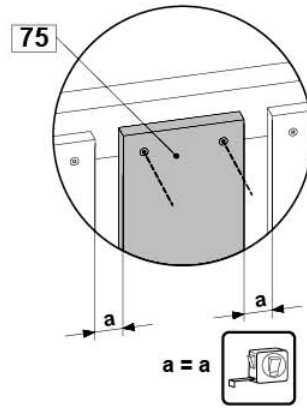
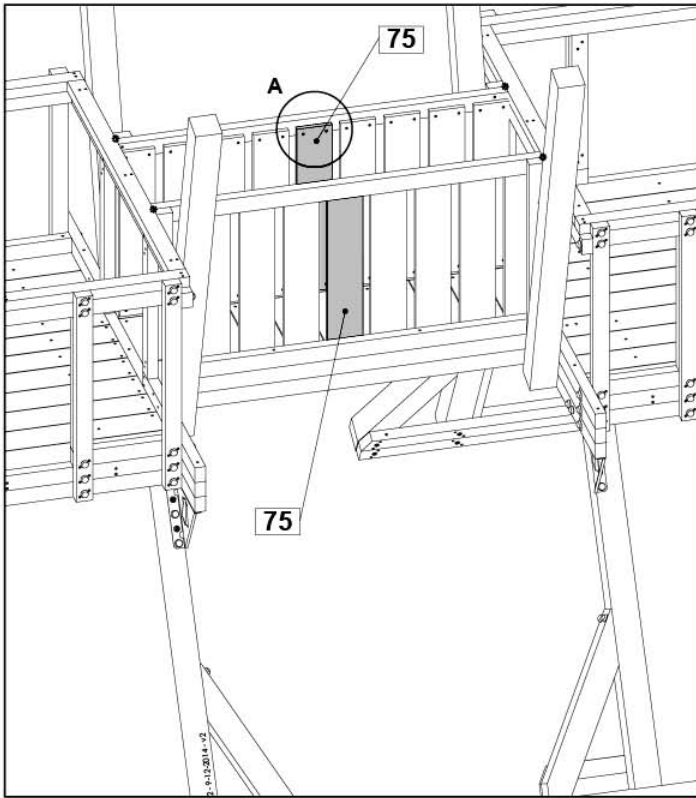
64x 45 mm



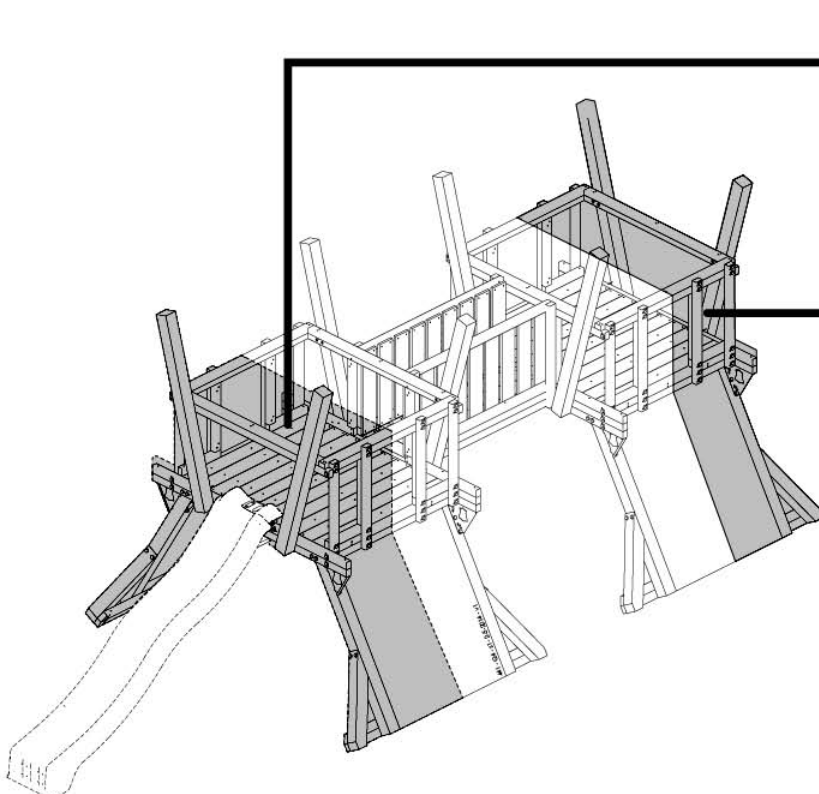
12.1i



8x 45 mm



12.2a



12.2b 12.2c 12.2d 12.2e

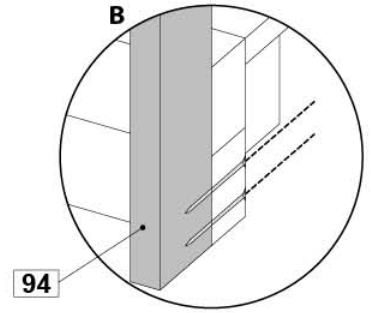
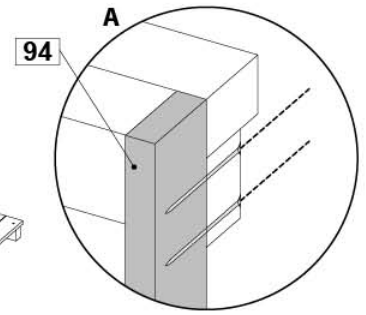
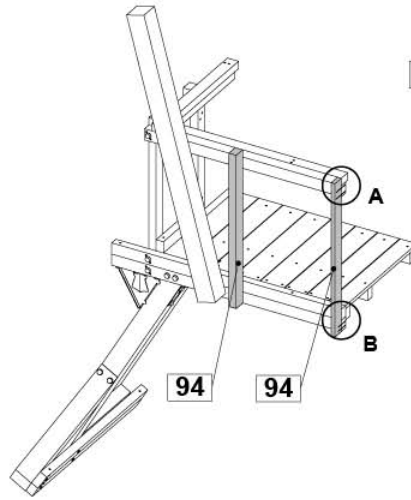
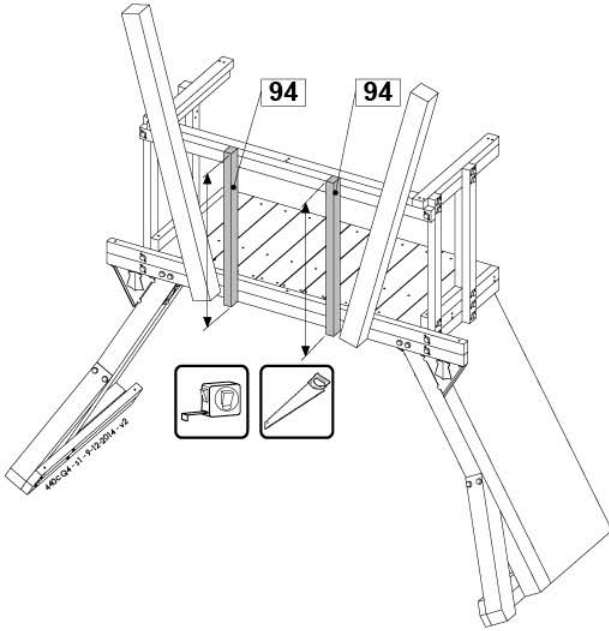


12.2f 12.2g

12.2b



8x 80 mm



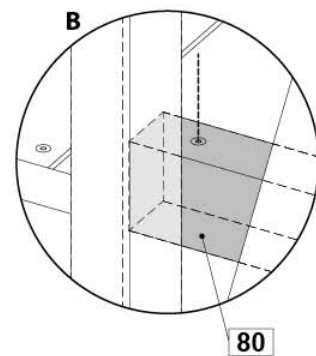
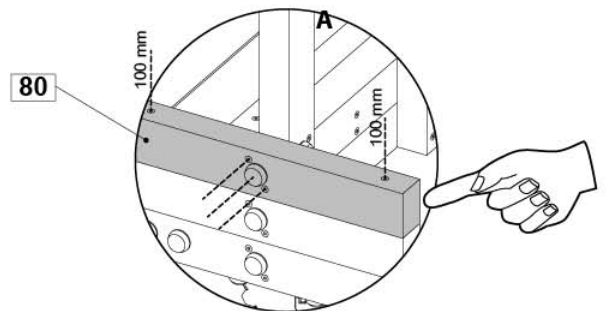
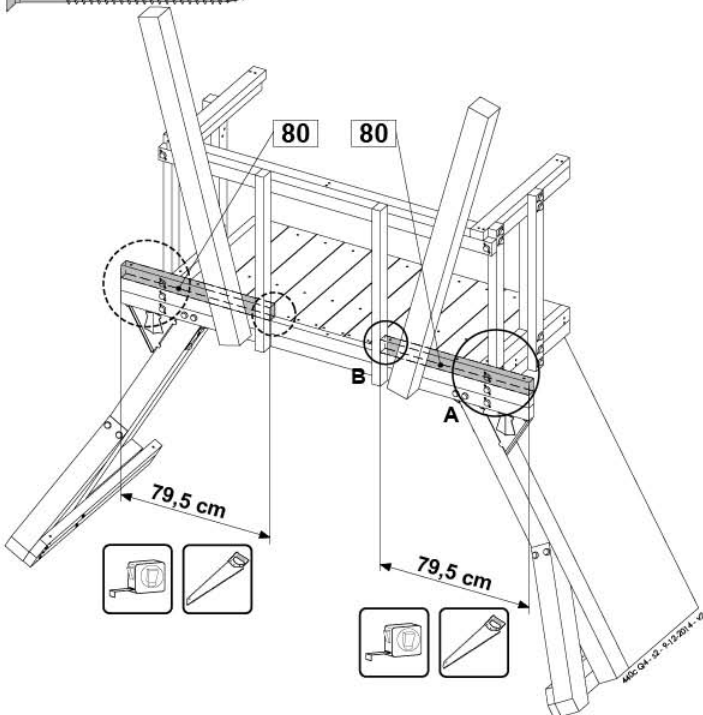
12.2c



2x 80 mm

6x 100 mm

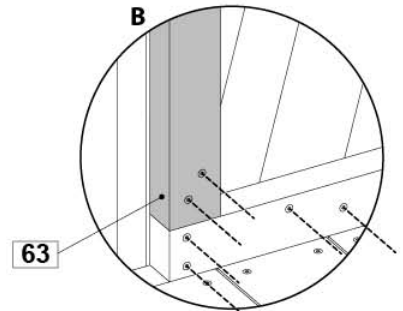
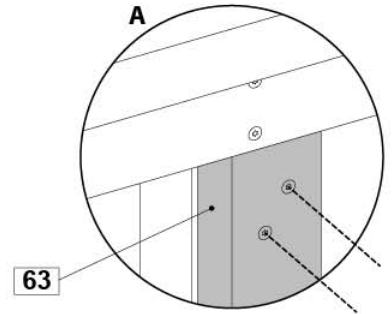
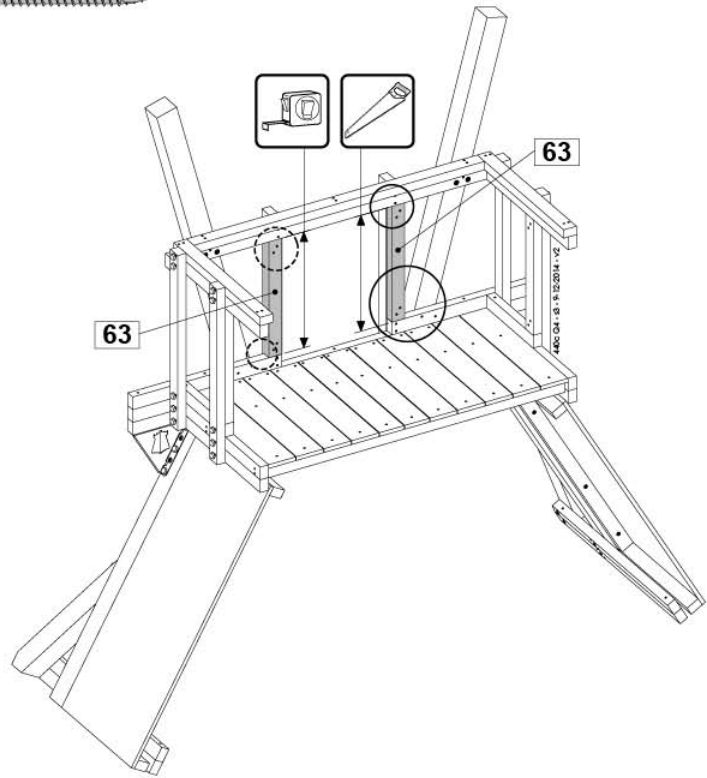
4x 80 mm



12.2d



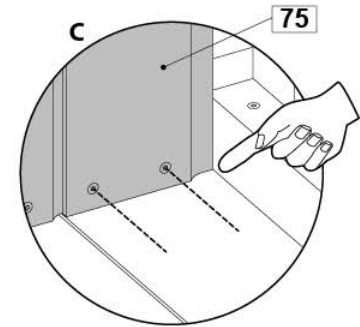
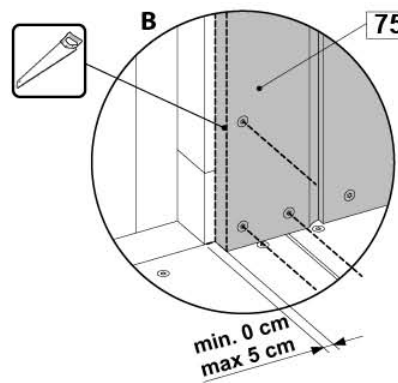
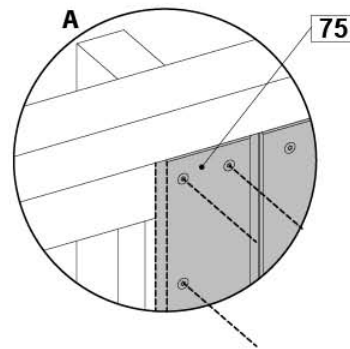
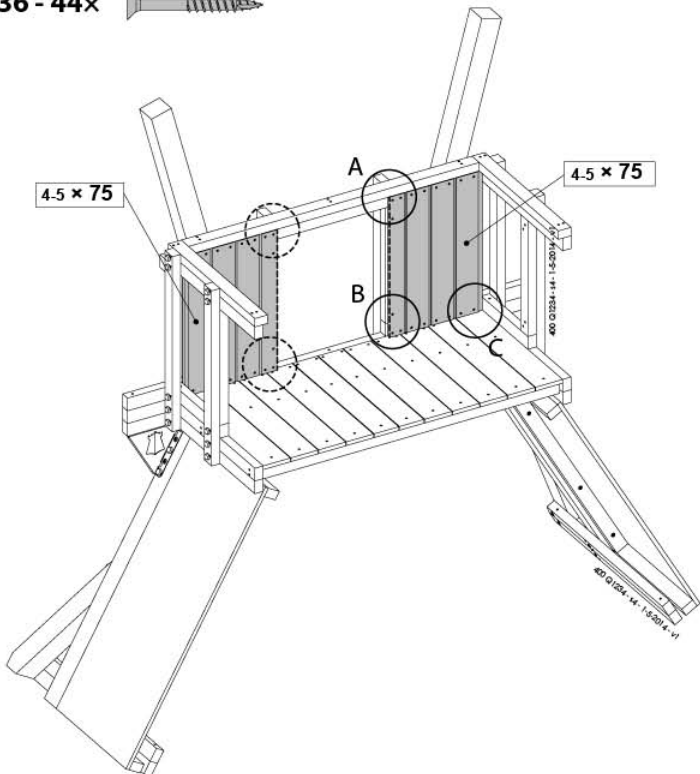
16x 80 mm



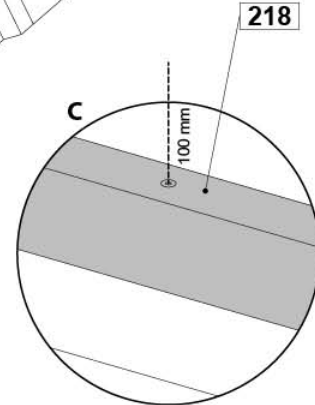
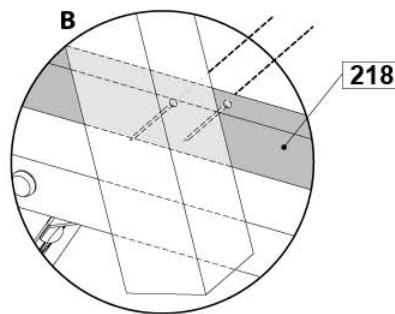
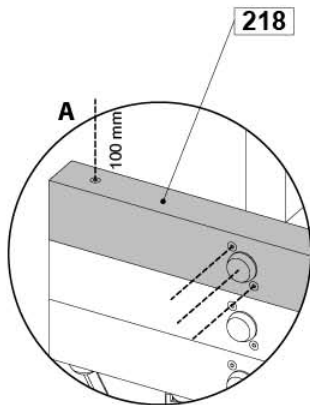
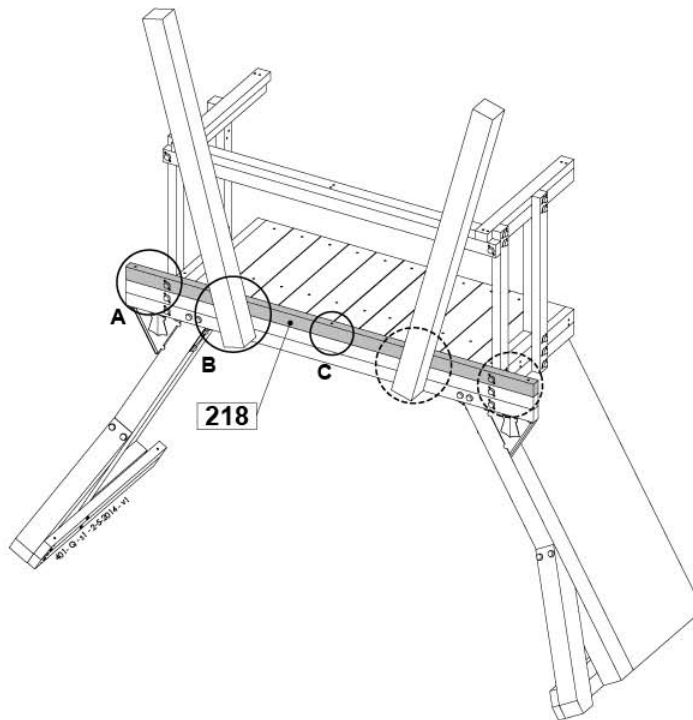
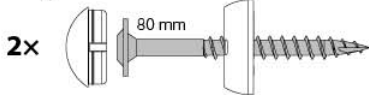
12.2e



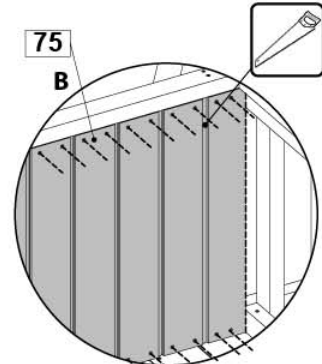
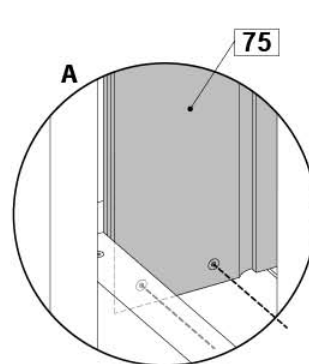
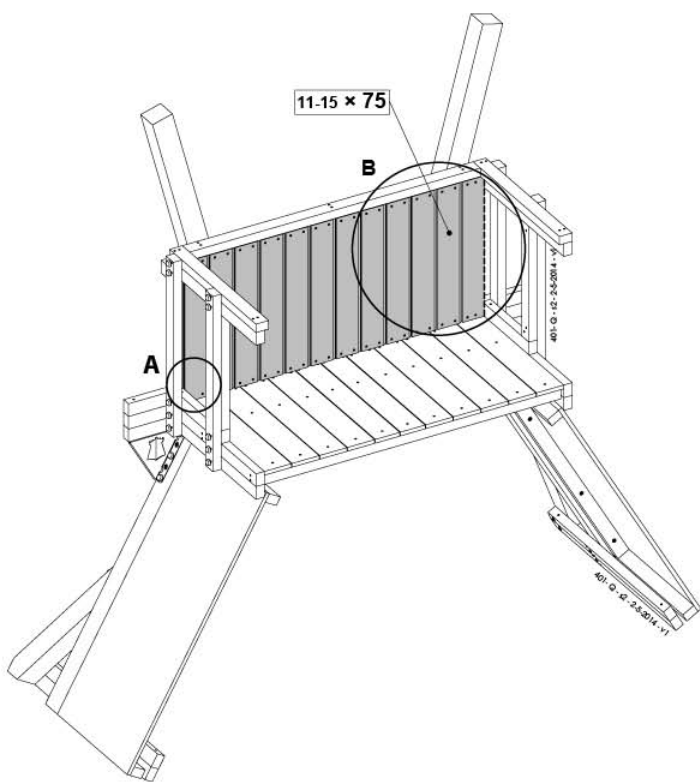
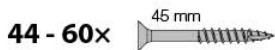
36 - 44x 45 mm



12.2f



12.2g



12.2h



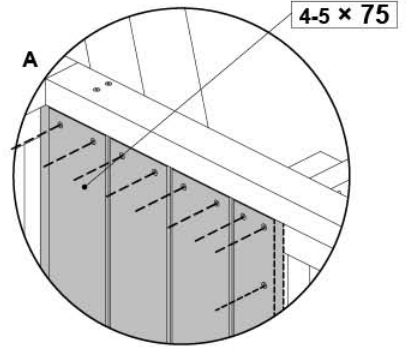
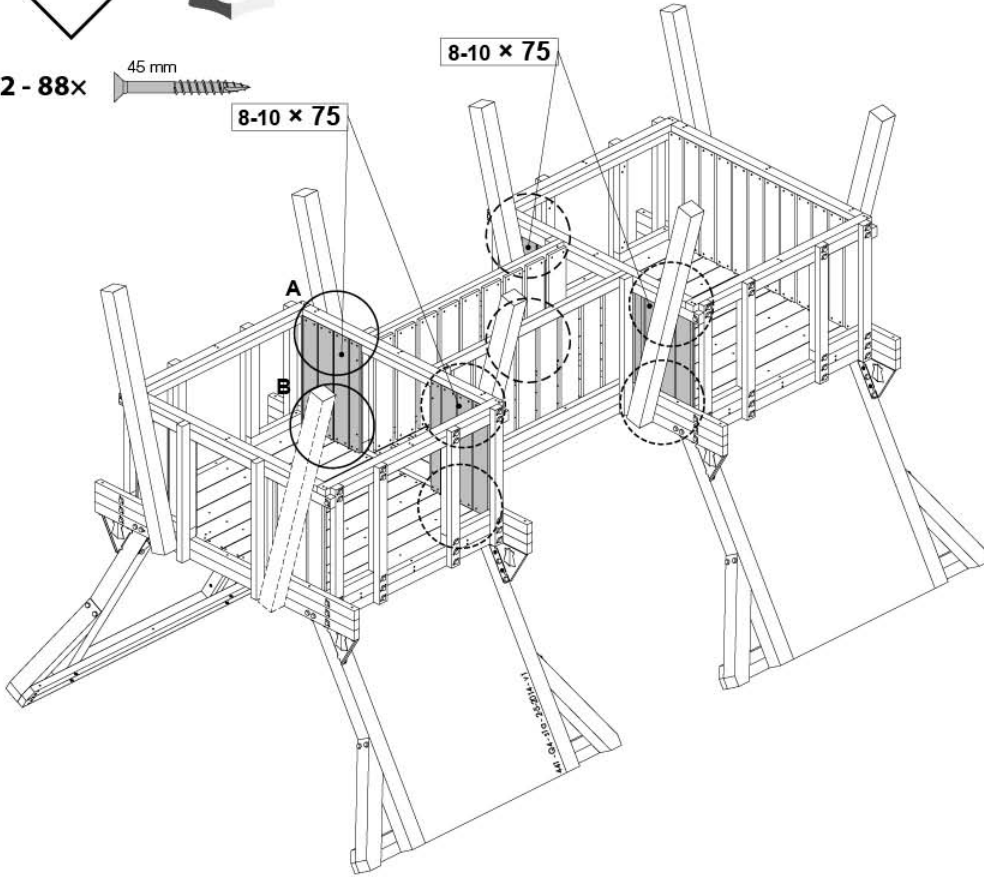
72 - 88x

45 mm

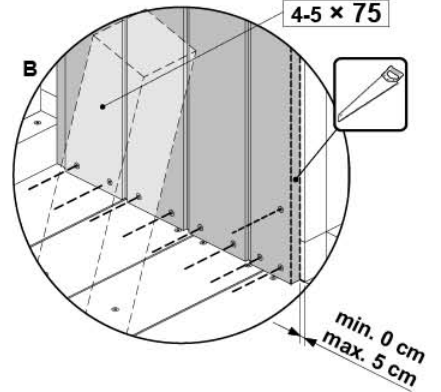


8-10 x 75

8-10 x 75



4-5 x 75



4-5 x 75

min. 0 cm
max. 5 cm

12.2i



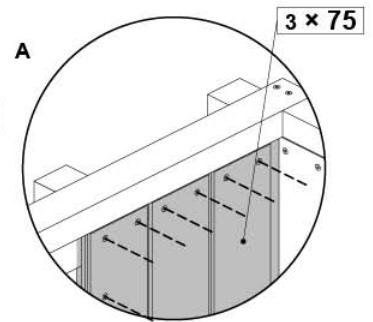
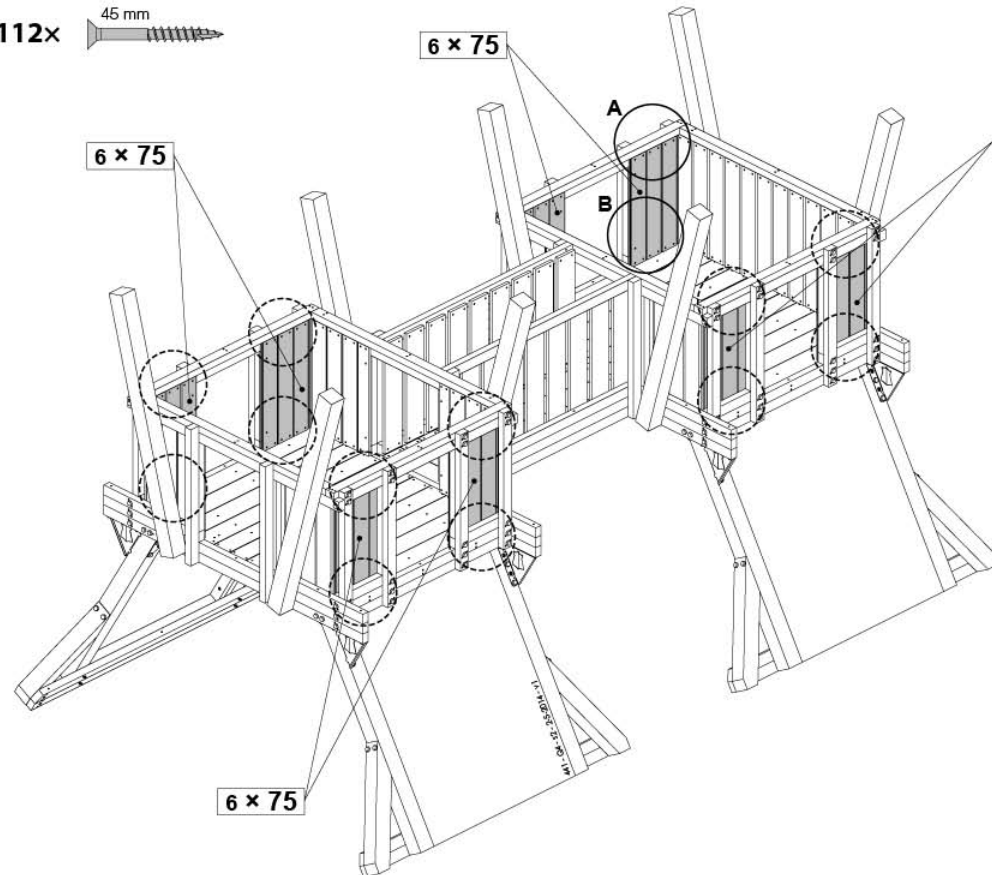
112x

45 mm

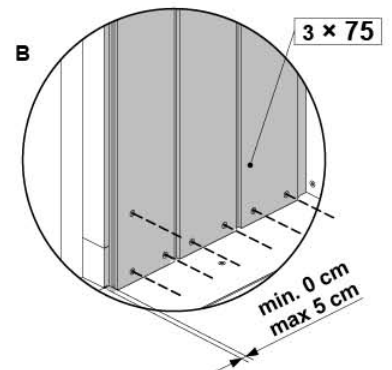


6 x 75

6 x 75



3 x 75

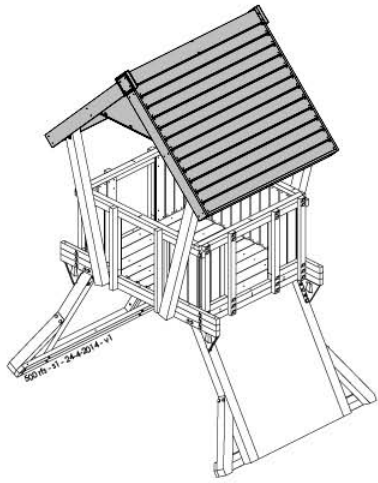


3 x 75

min. 0 cm
max. 5 cm

13

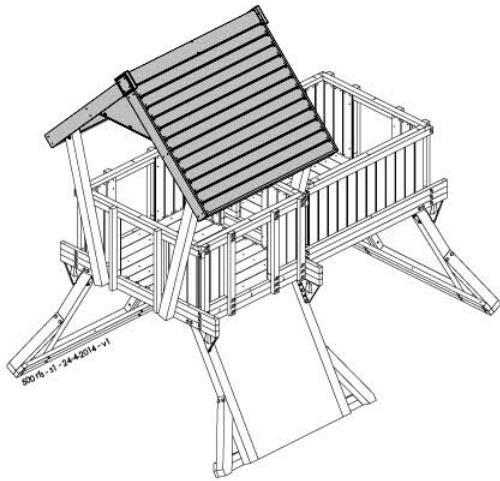
Q2



13a

13r

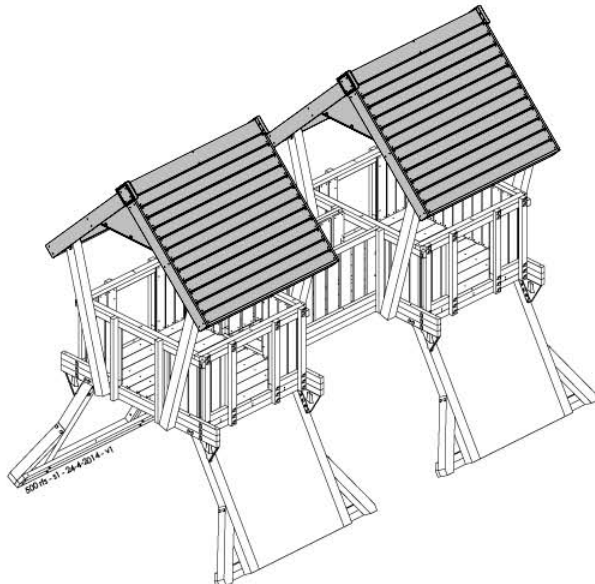
Q3



13a

13r

Q4



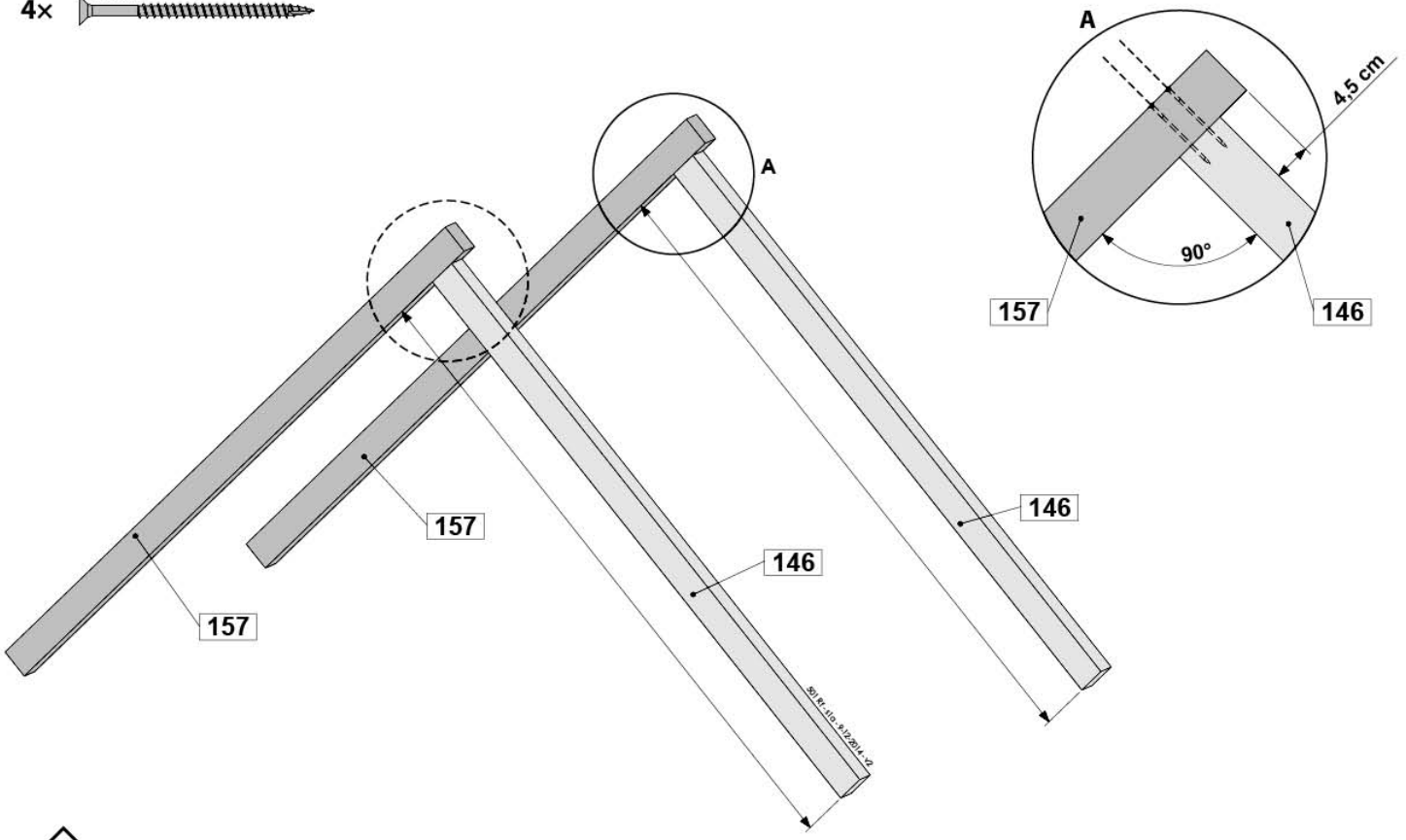
13a

13r

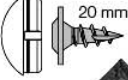

2x

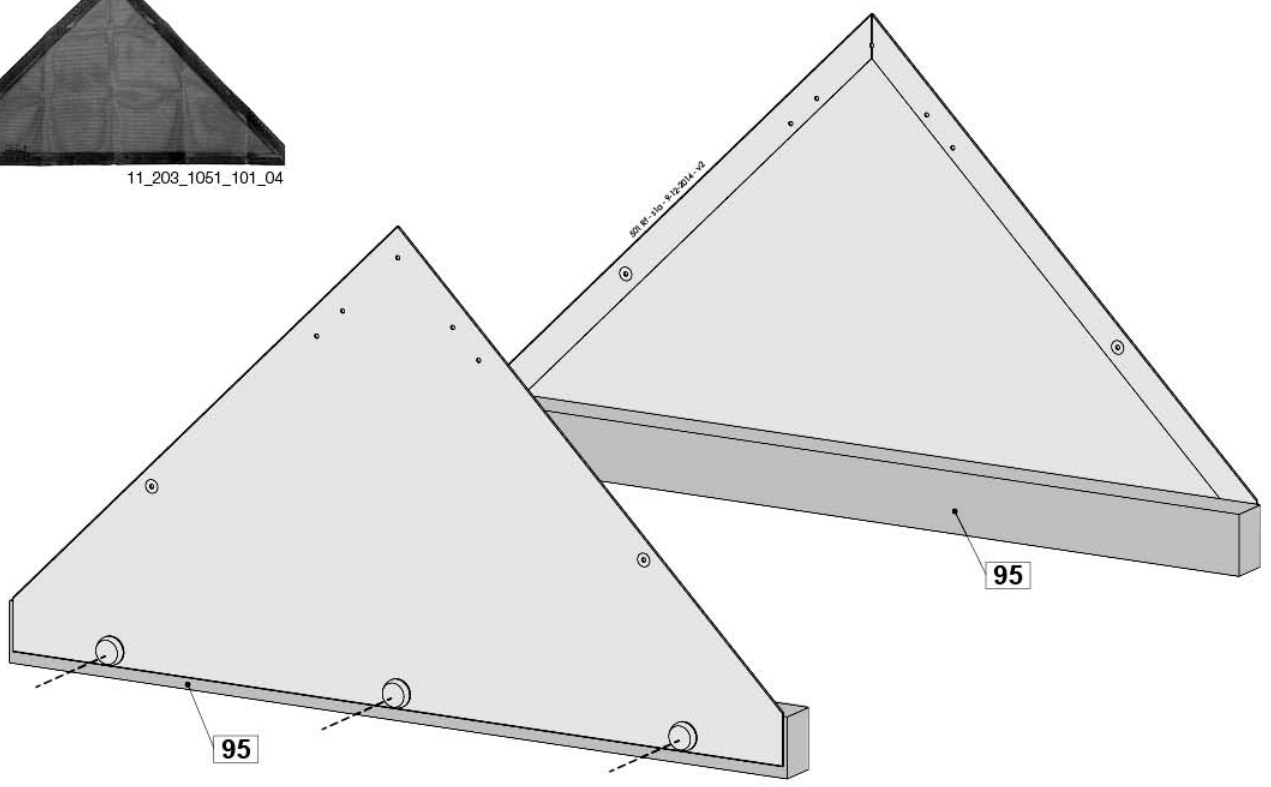
13a

4x 80 mm 

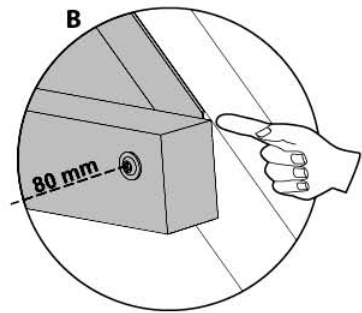
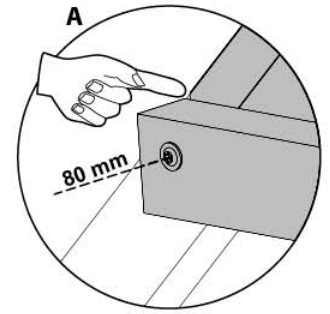
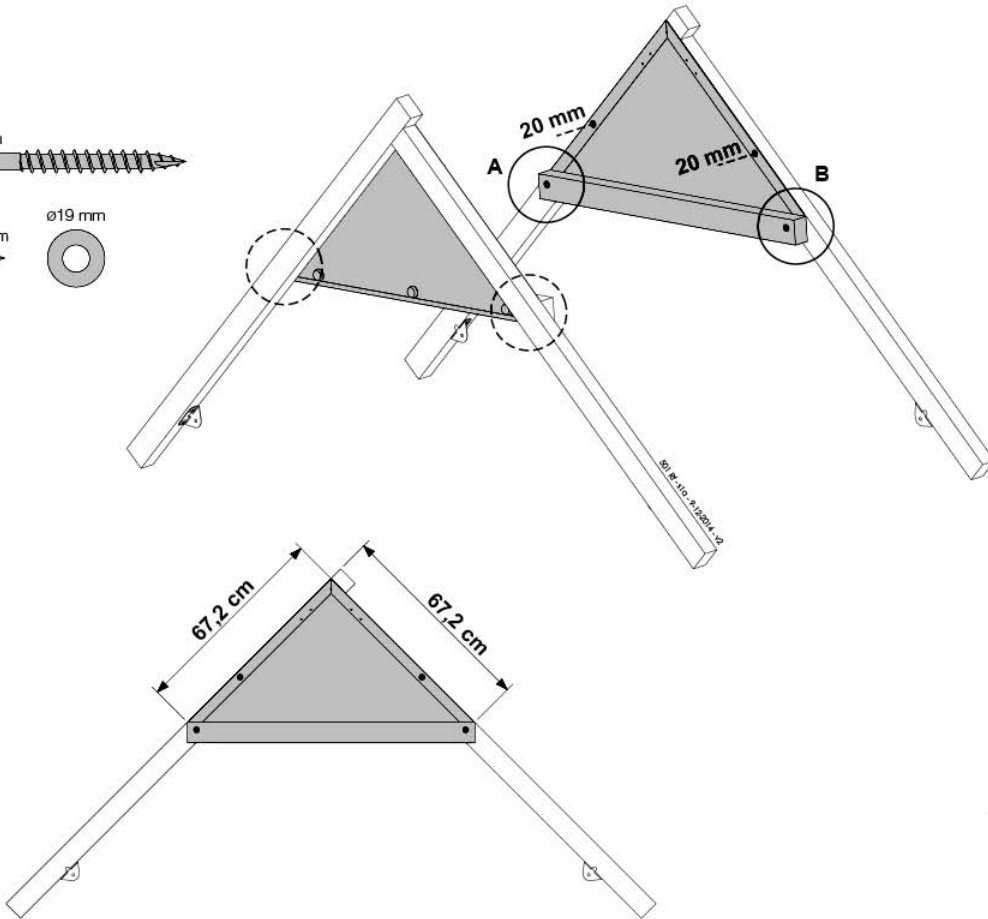
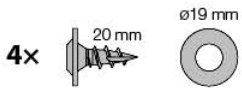
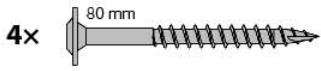


13b

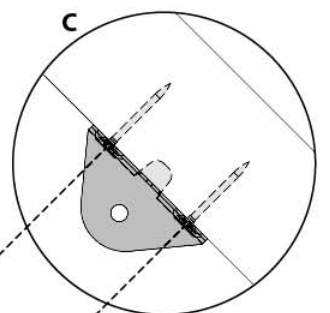
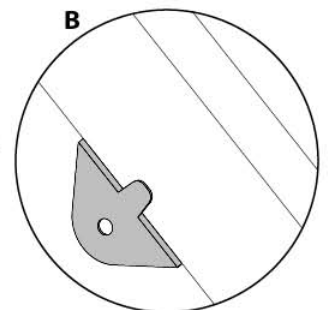
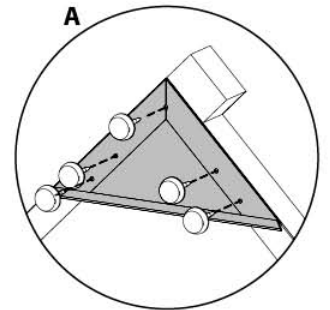
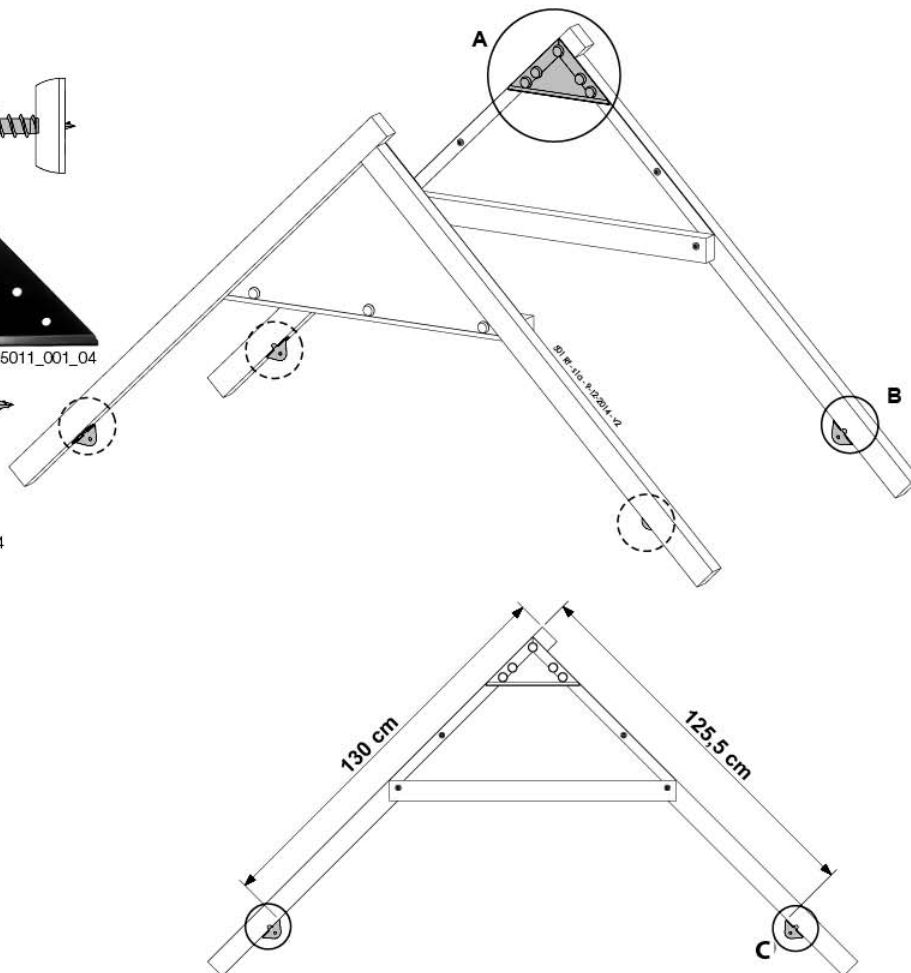
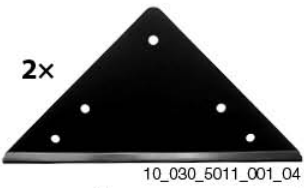
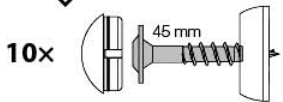
6x  20 mm 



13c

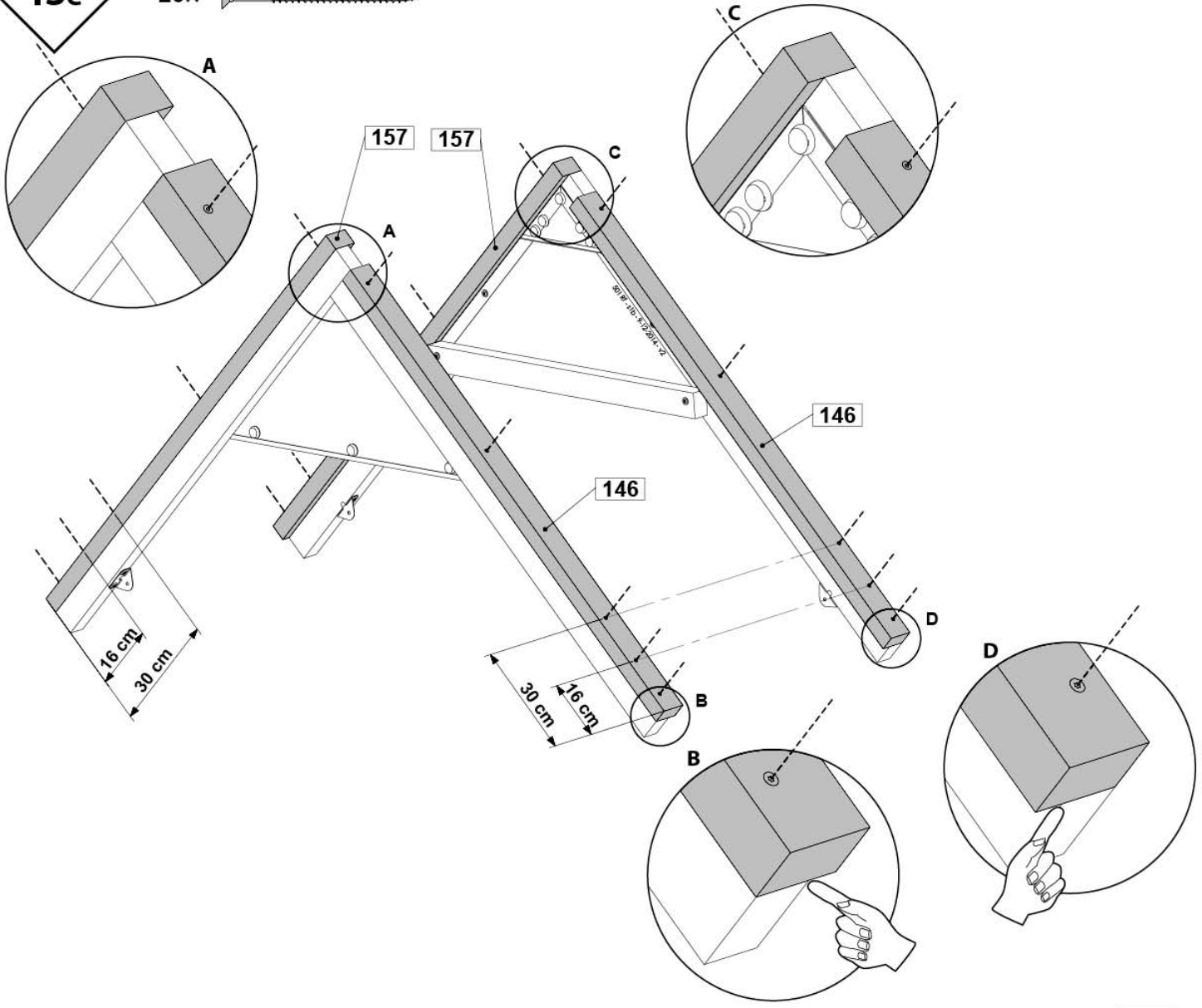


13d

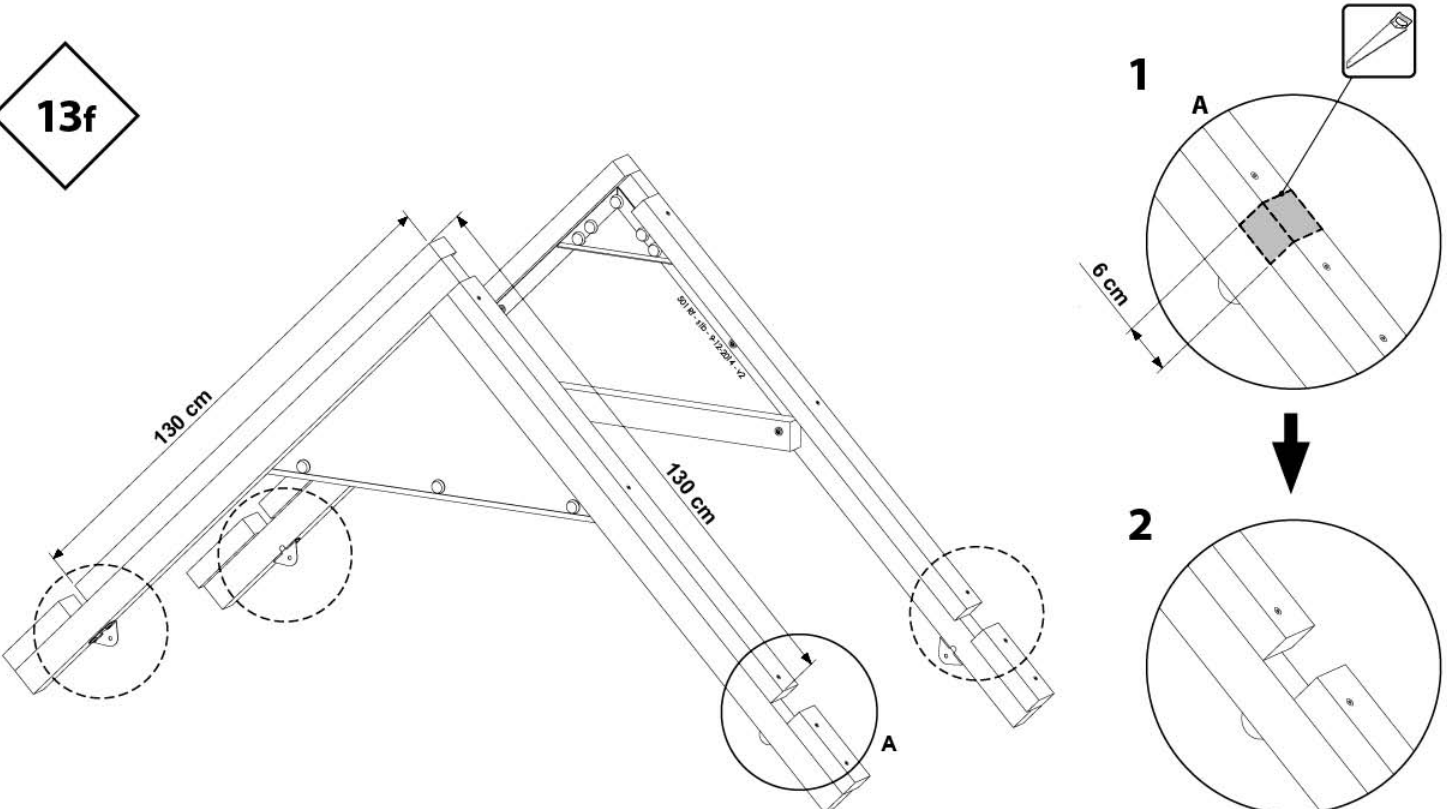


13e

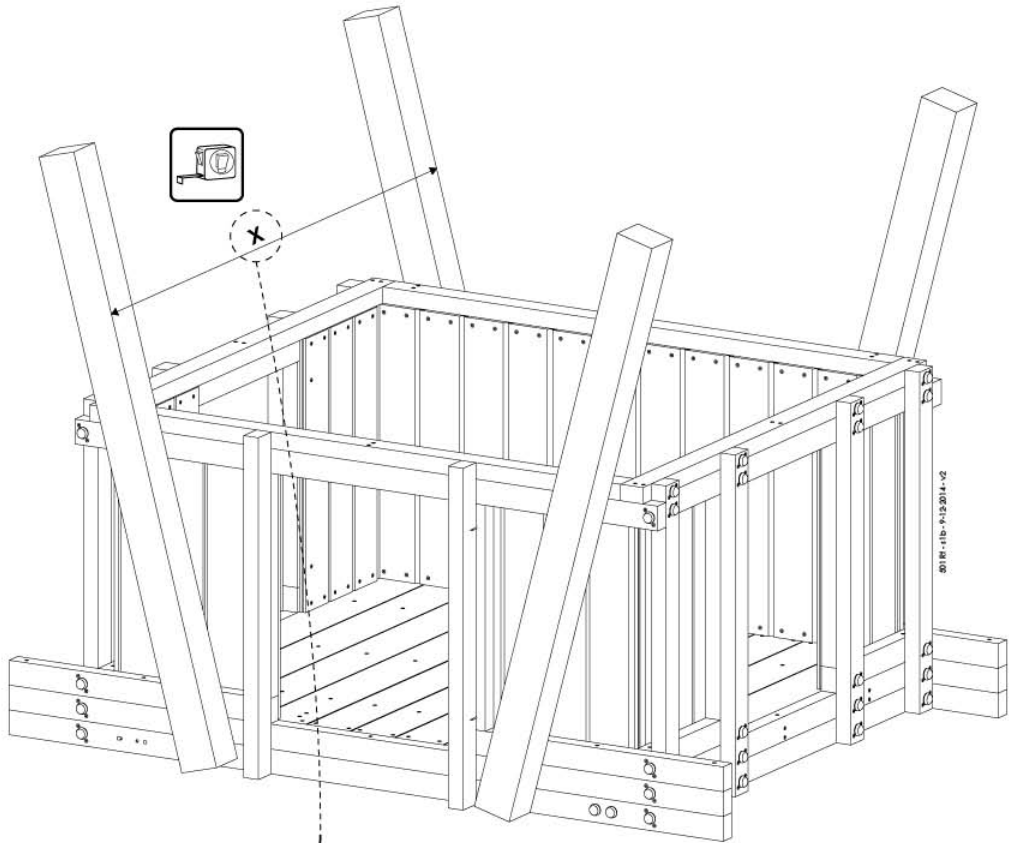
20x 80 mm



13f

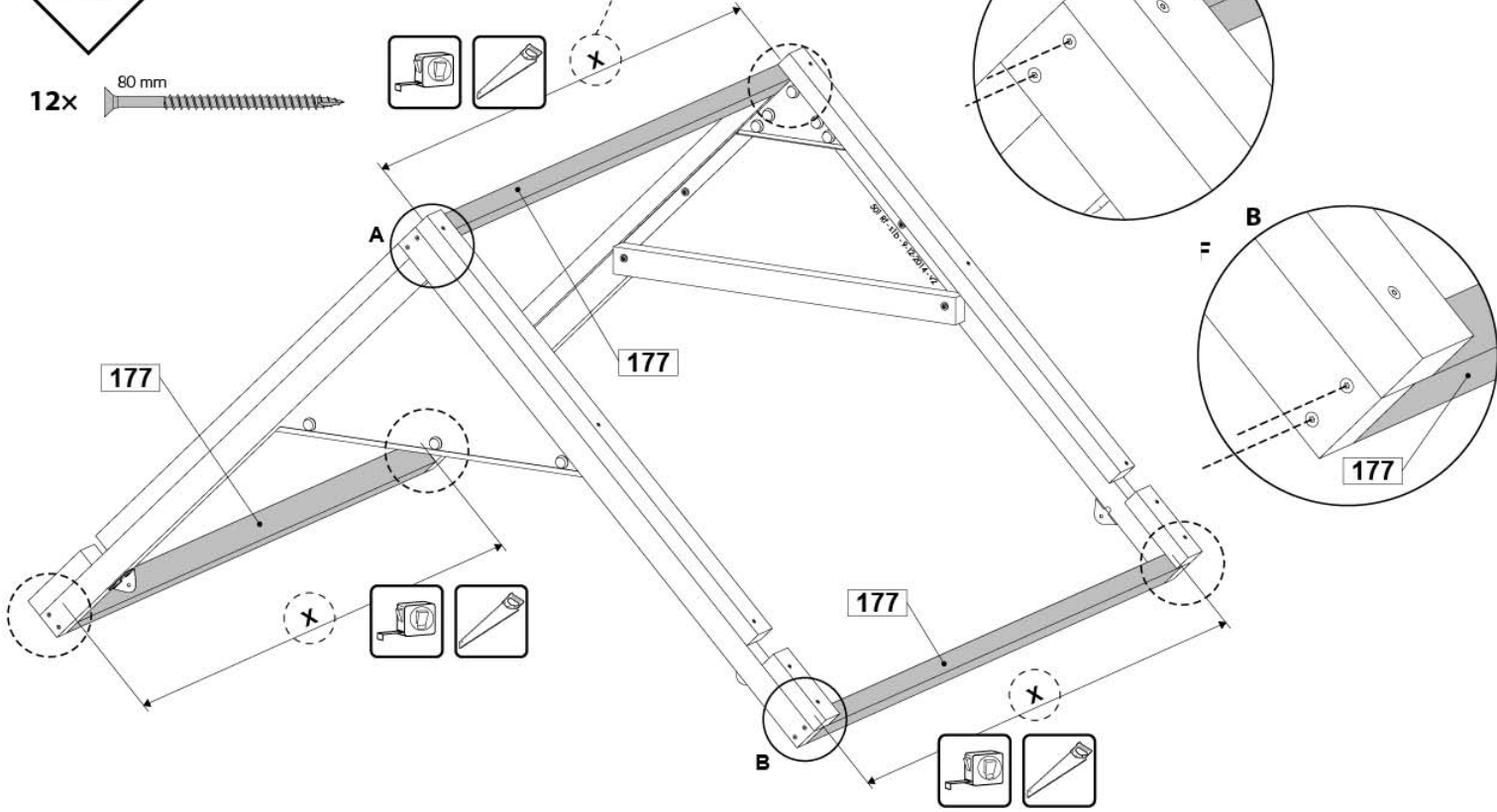


13g



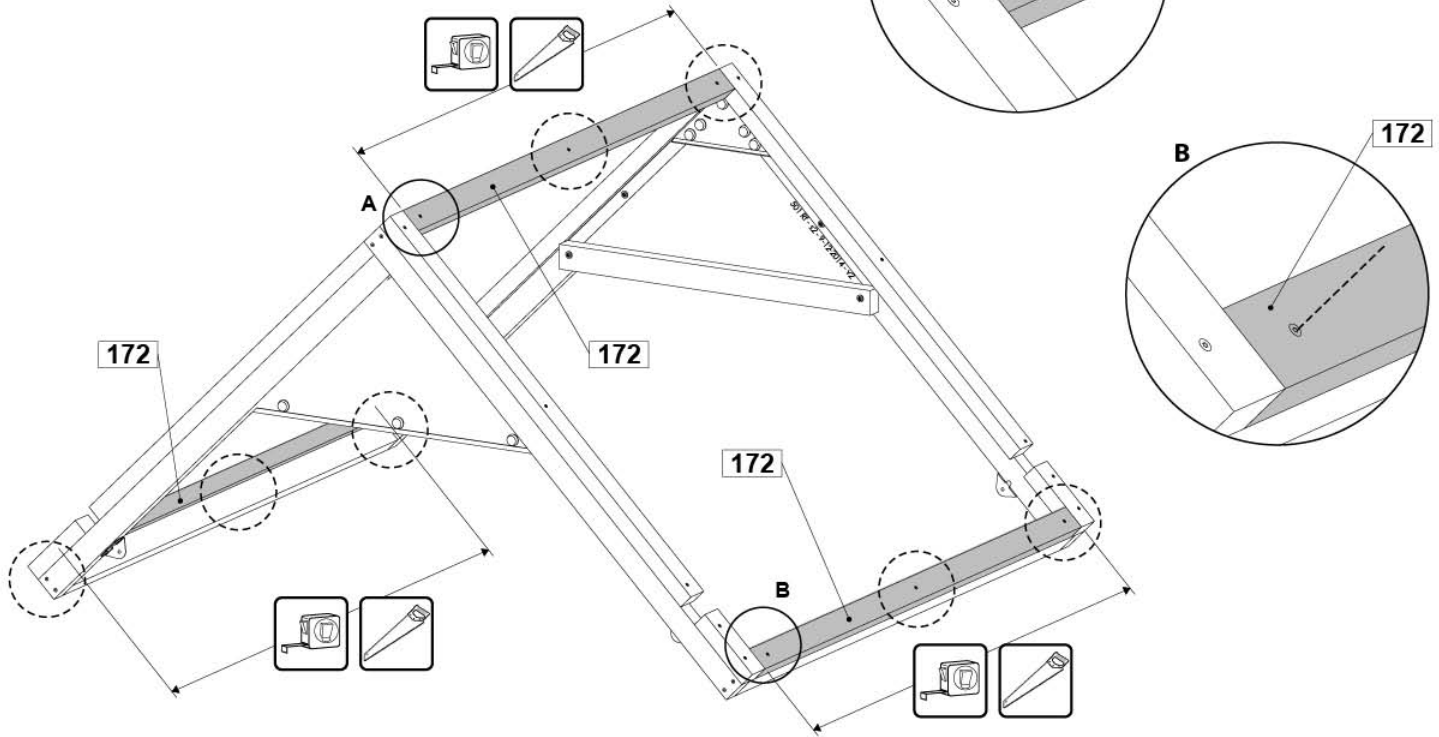
13h

12x 80 mm



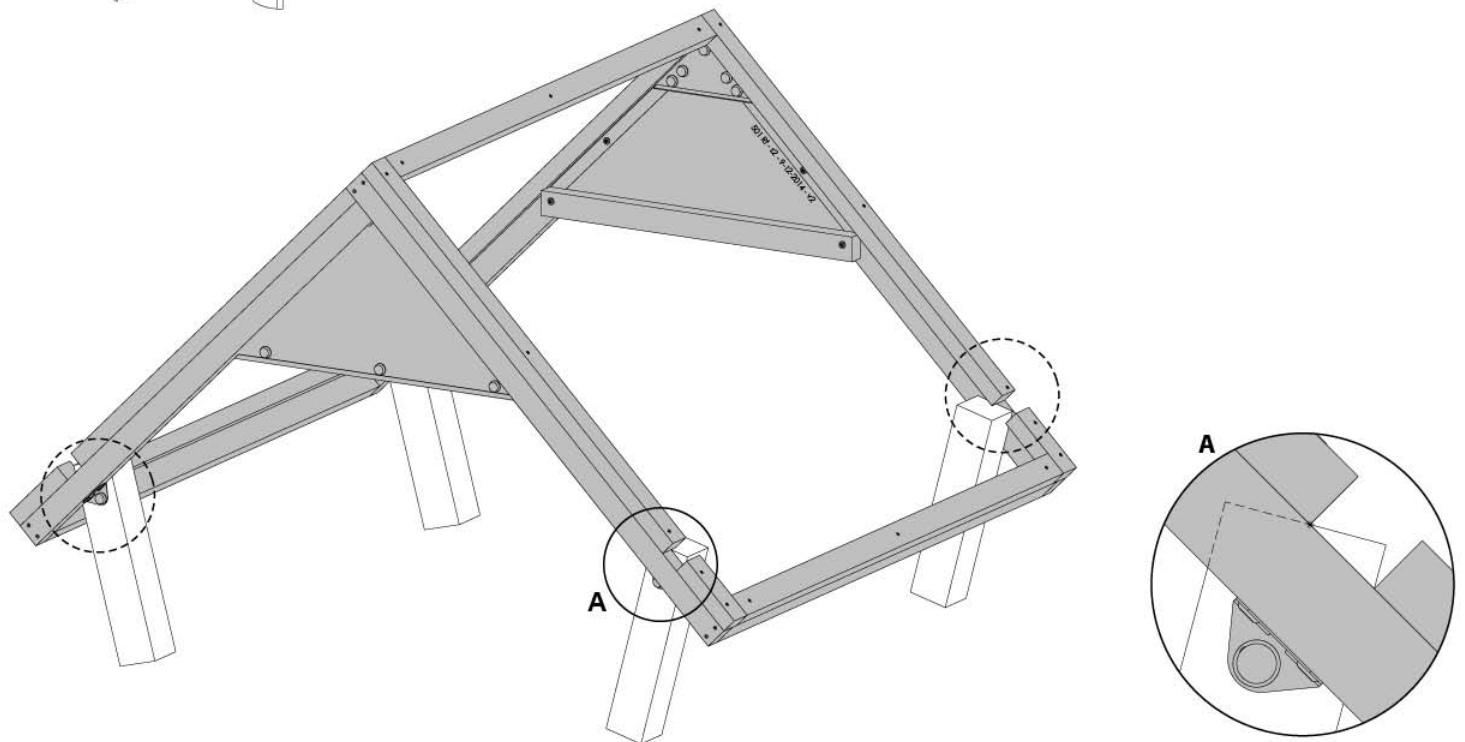
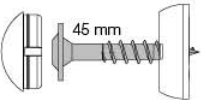
13i

9x 80 mm




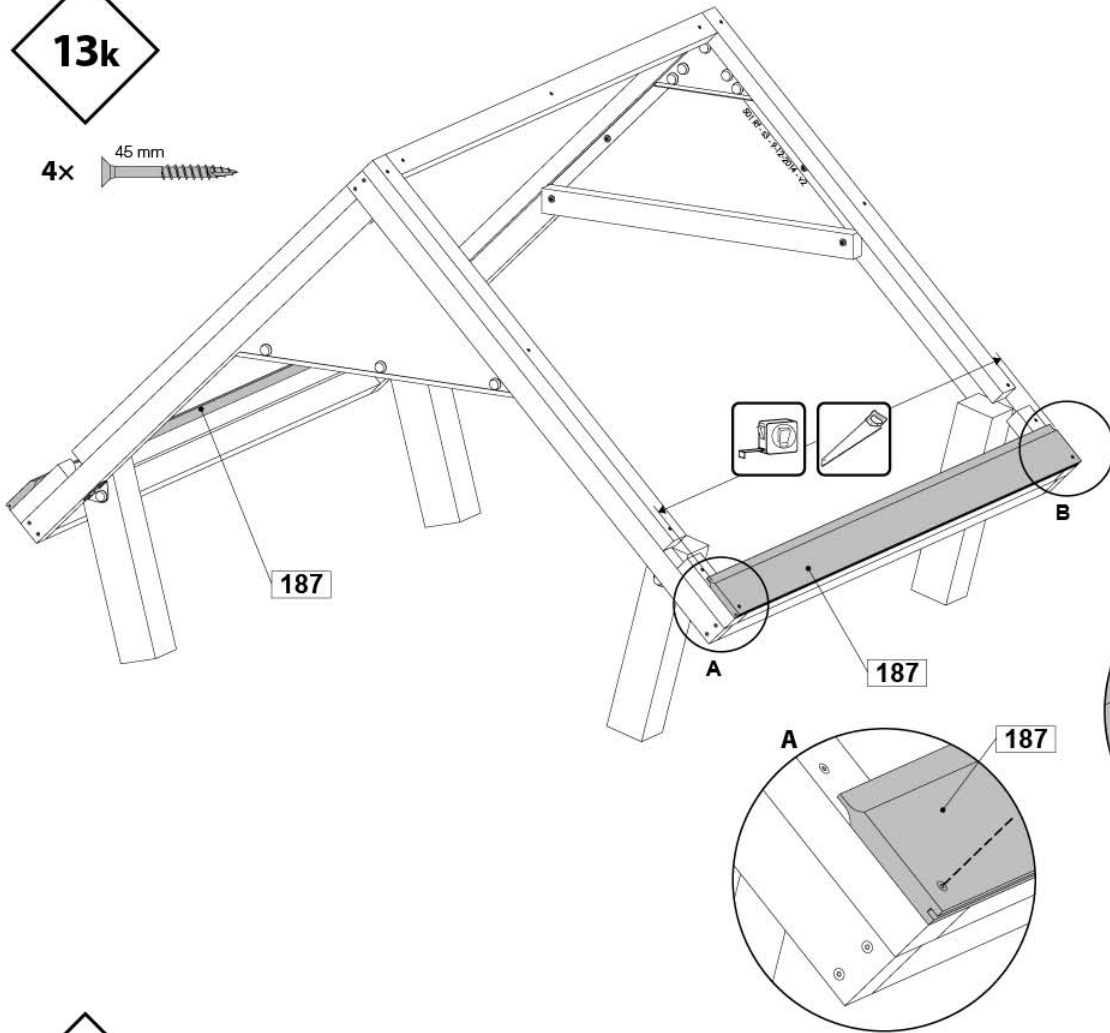
13j

4x 45 mm



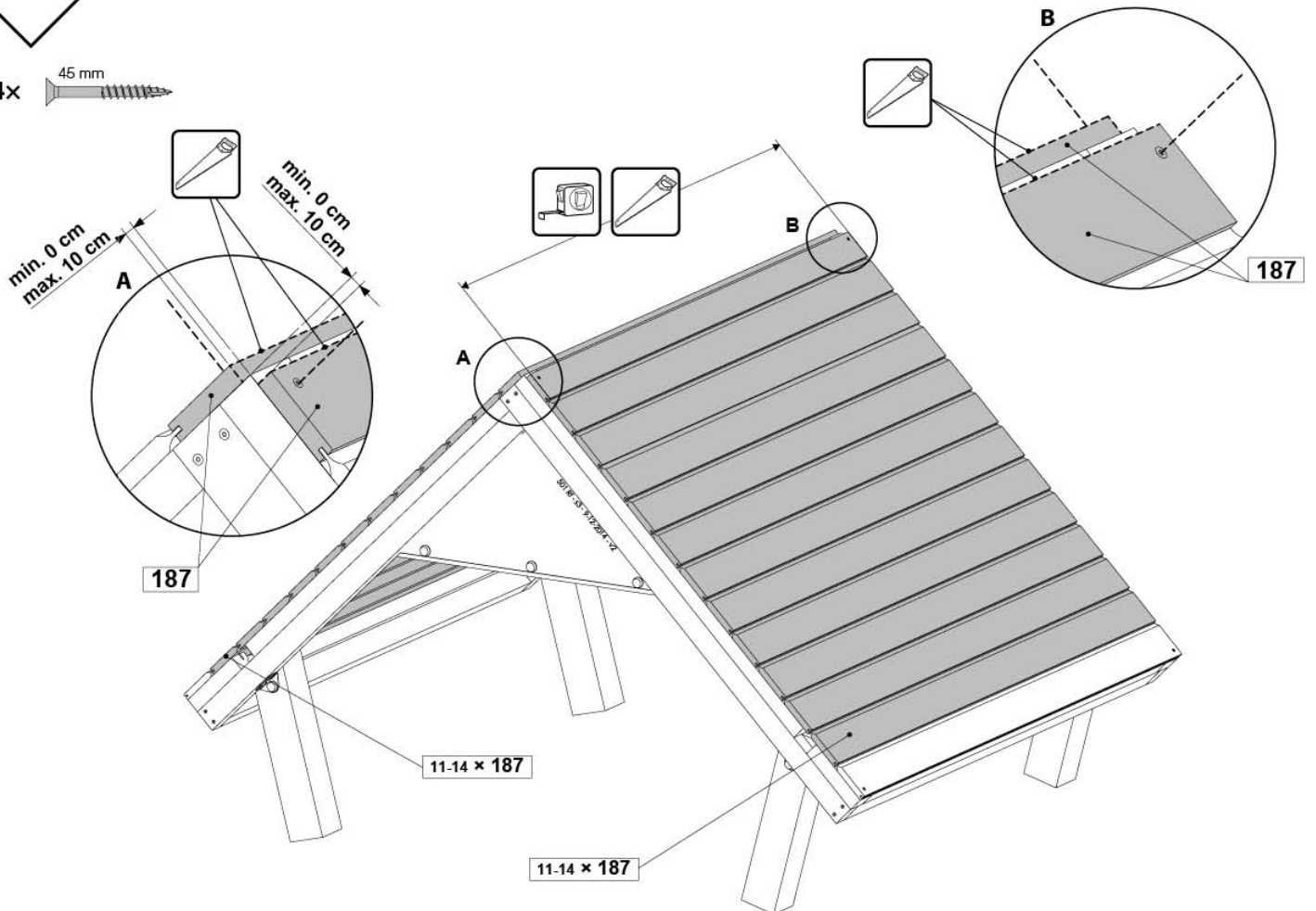
13k

4x 45 mm

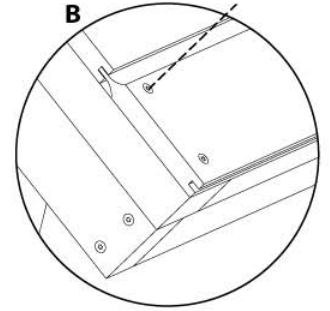
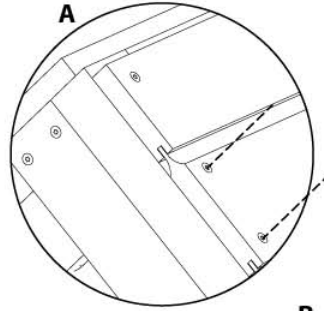
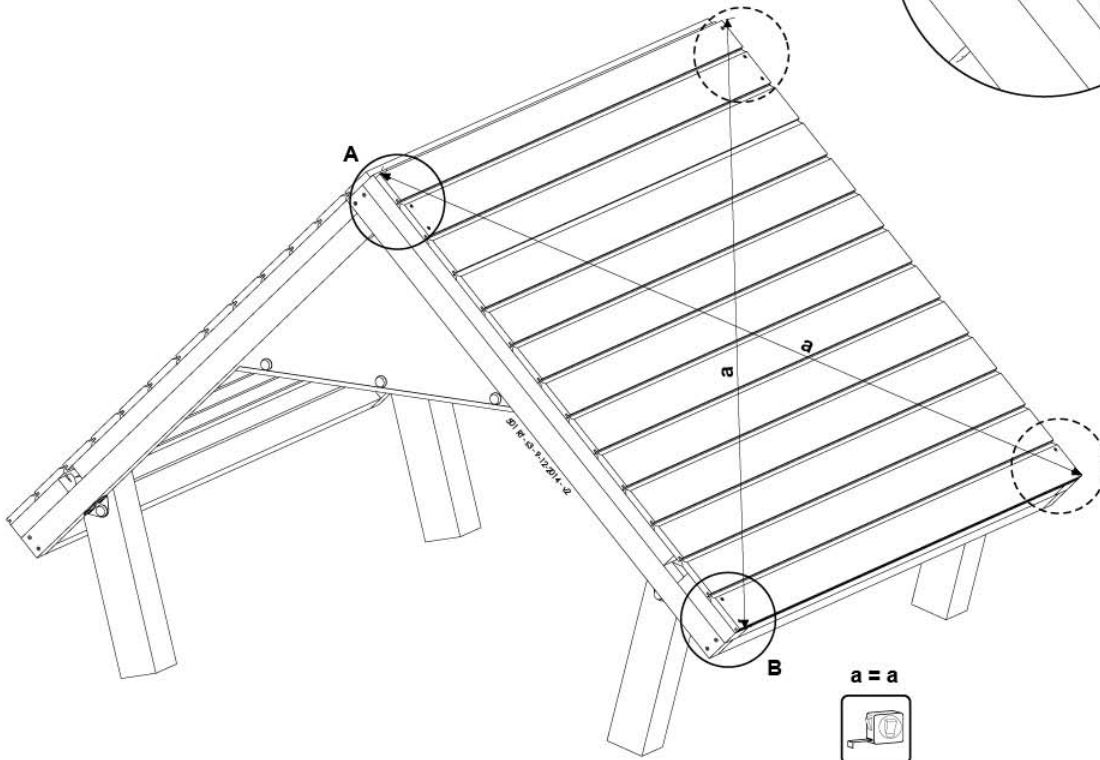
13L

4x 45 mm

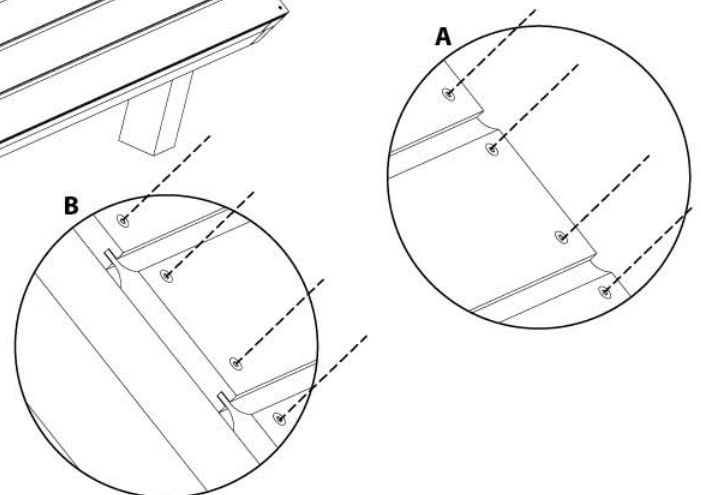
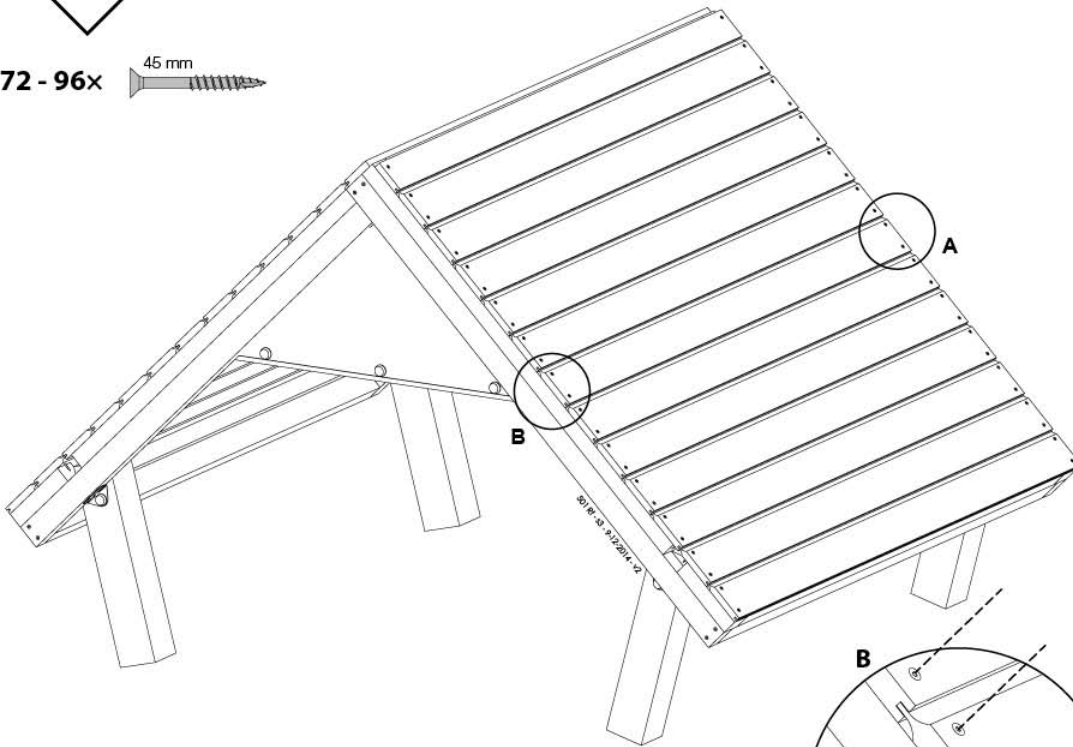
13m

12x 45 mm



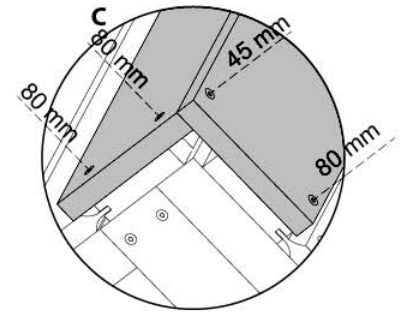
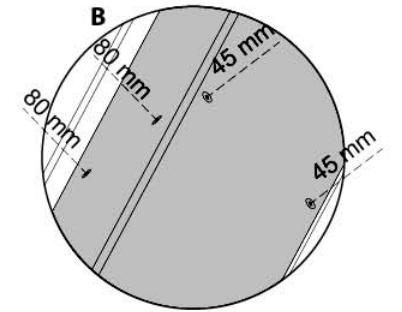
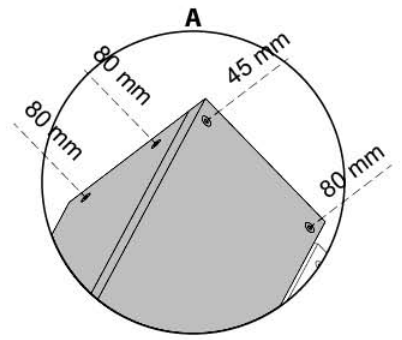
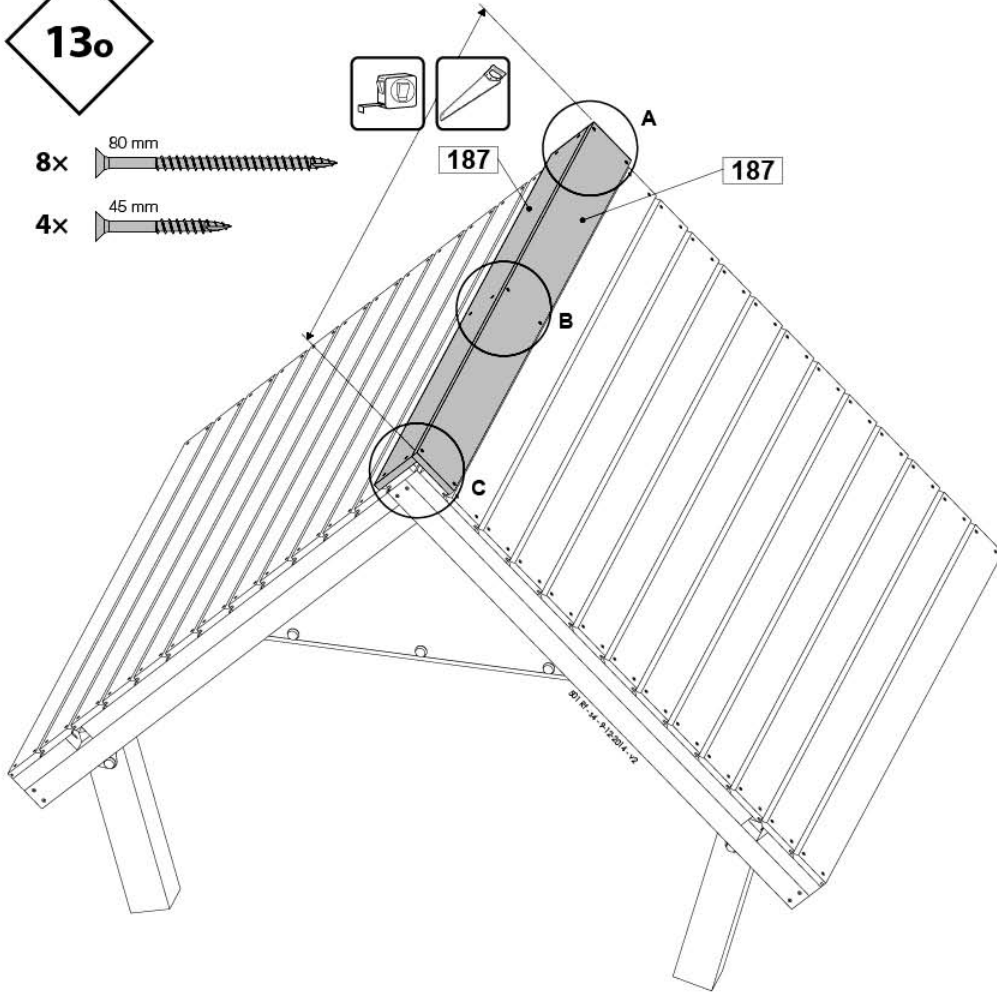
13n

72 - 96x 45 mm



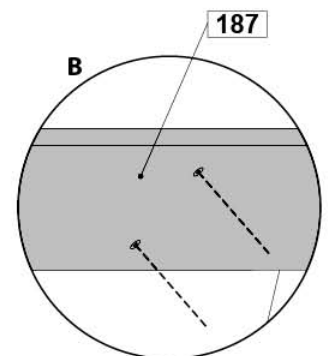
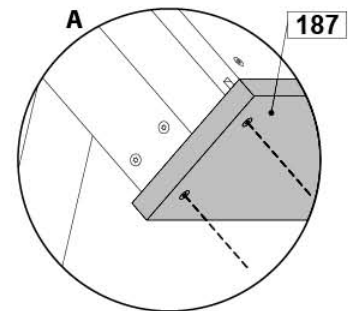
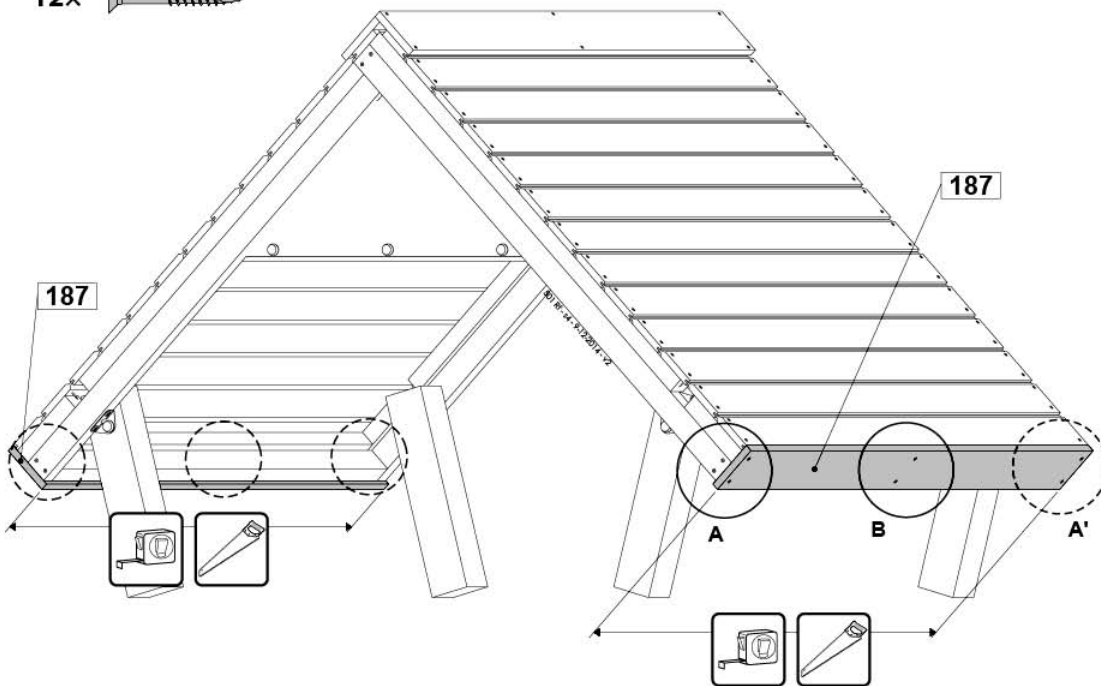
13o

- 8x 80 mm
- 4x 45 mm




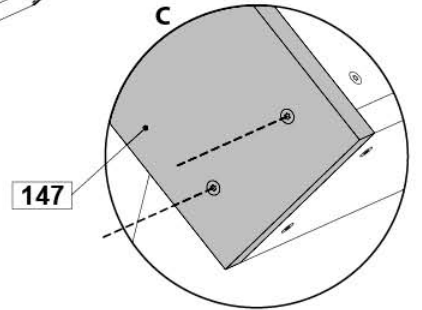
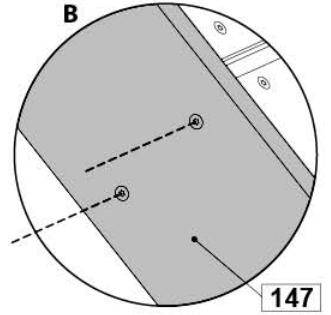
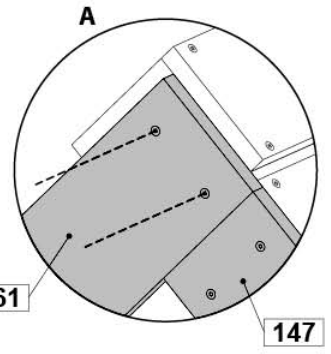
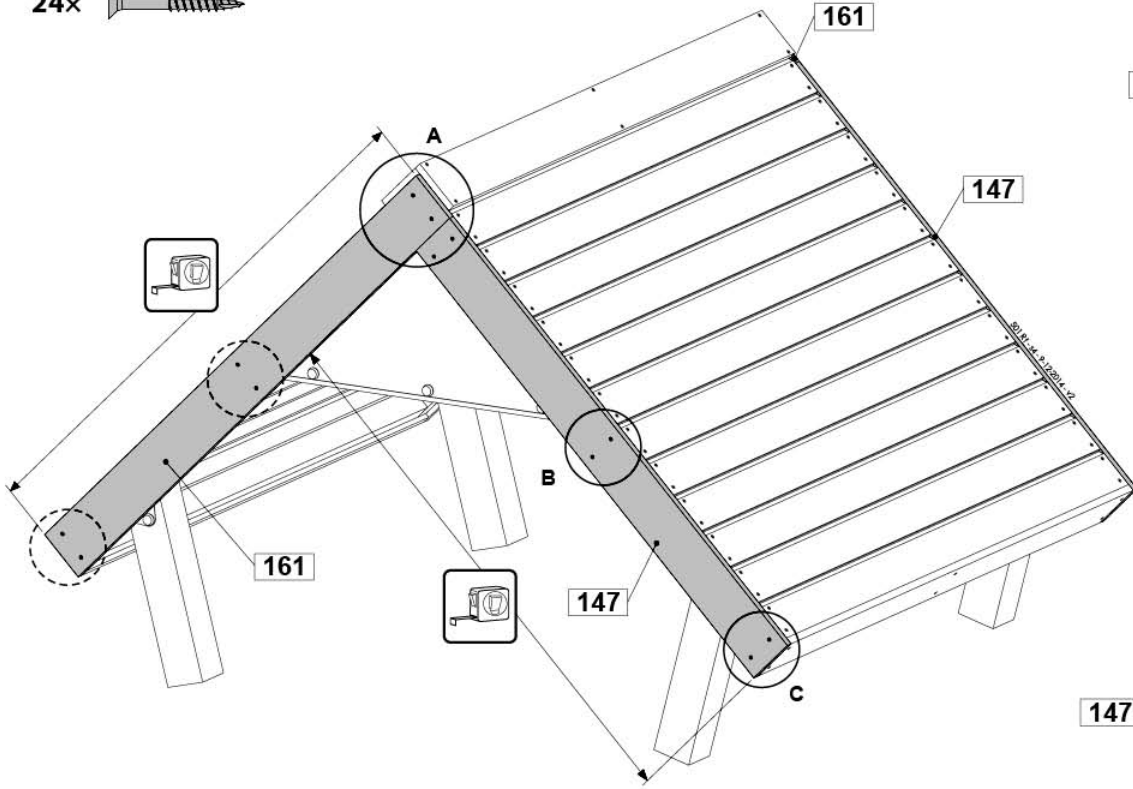
13p

- 12x 45 mm



13q

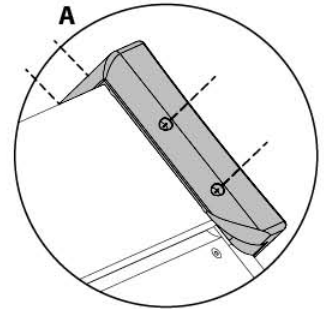
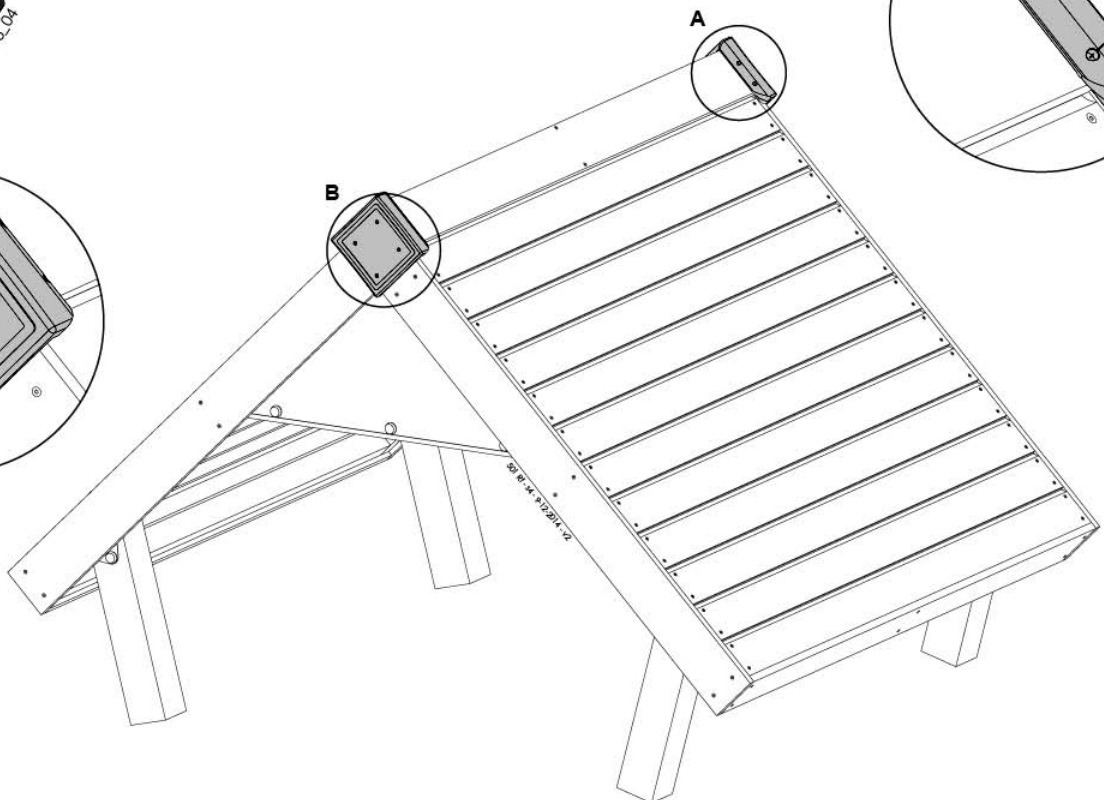
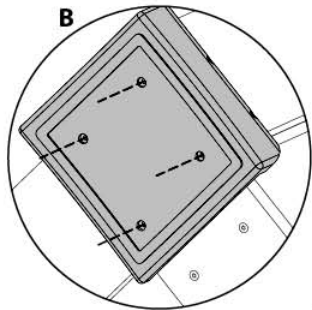
24x  45 mm



13r

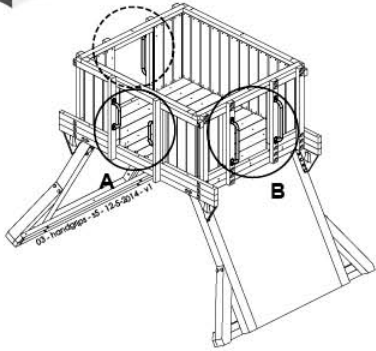
16x  45 mm

2x

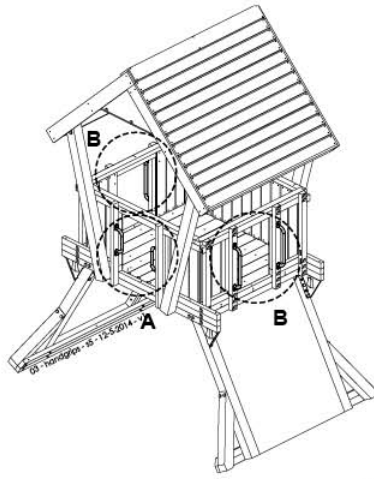


14

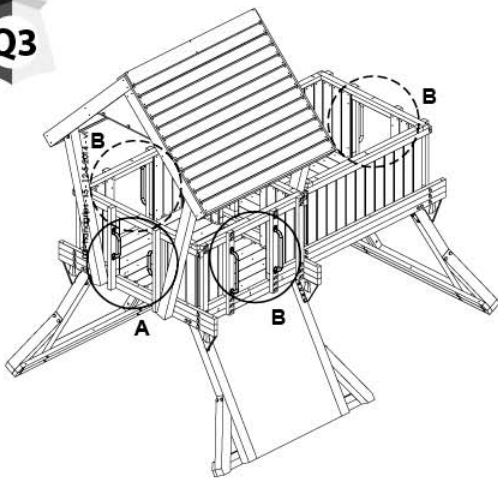
Q1



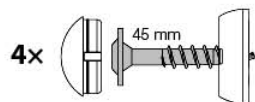
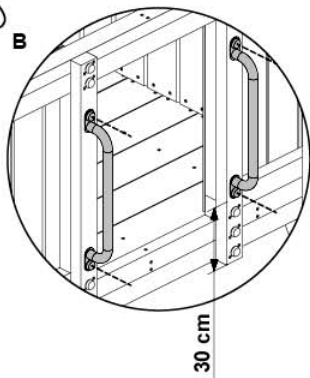
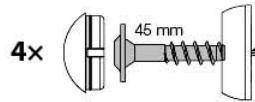
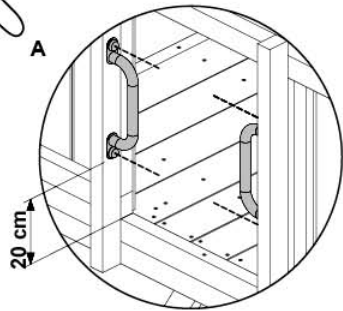
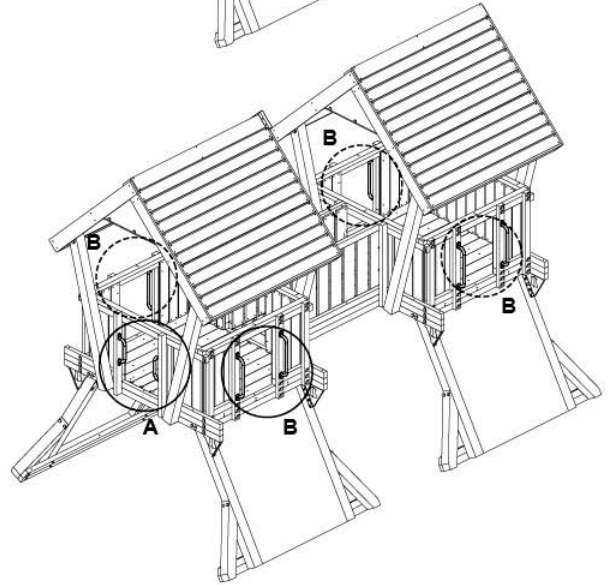
Q2



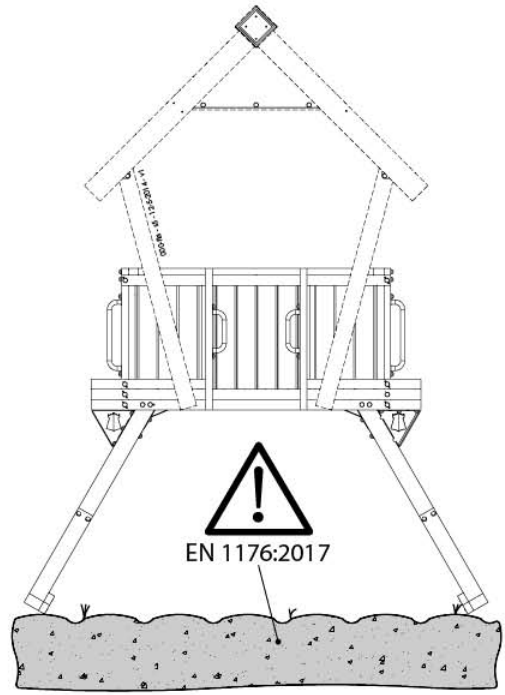
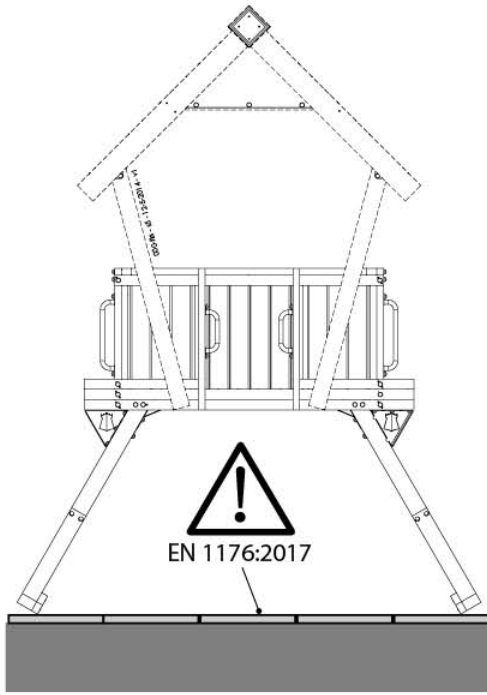
Q3



Q4



15



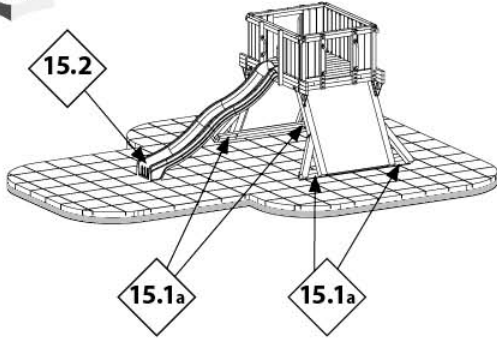
15.1



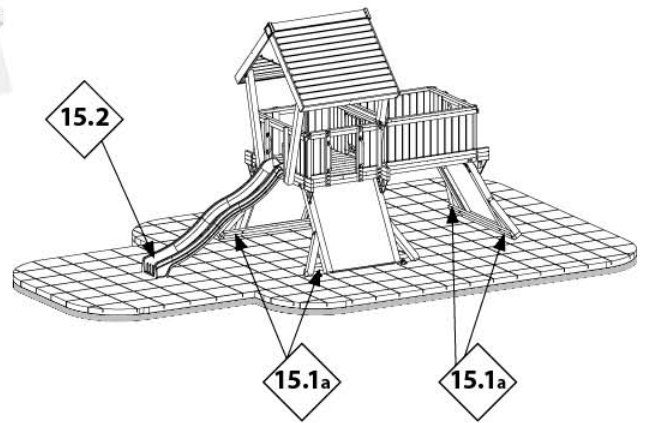
15.5

15.1

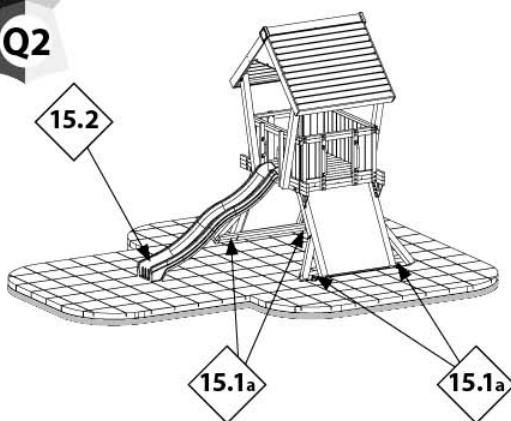
Q1



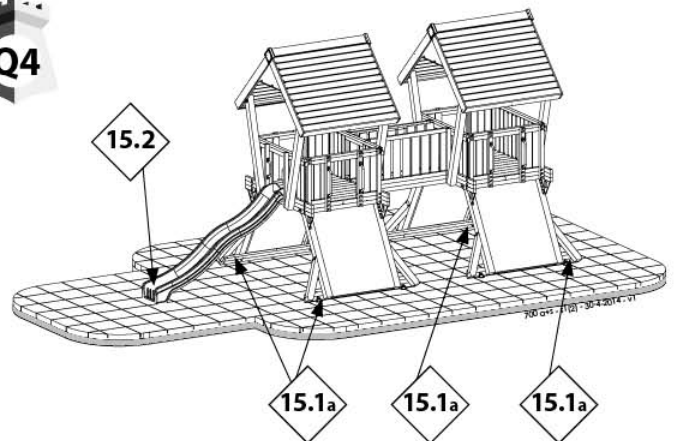
Q3



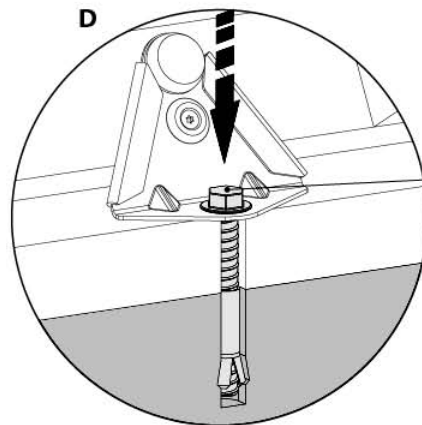
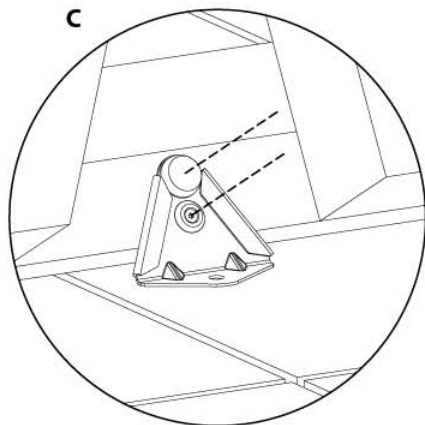
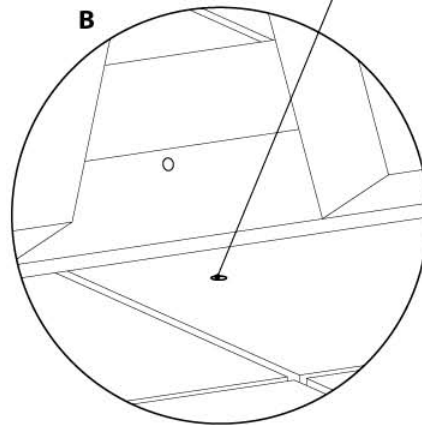
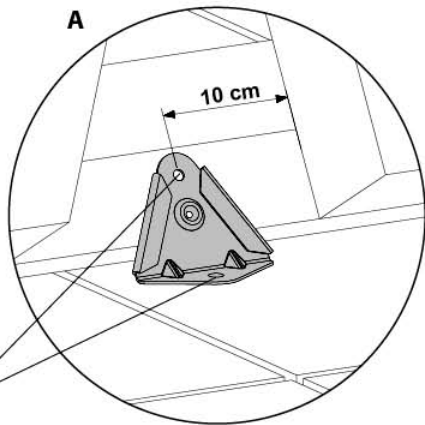
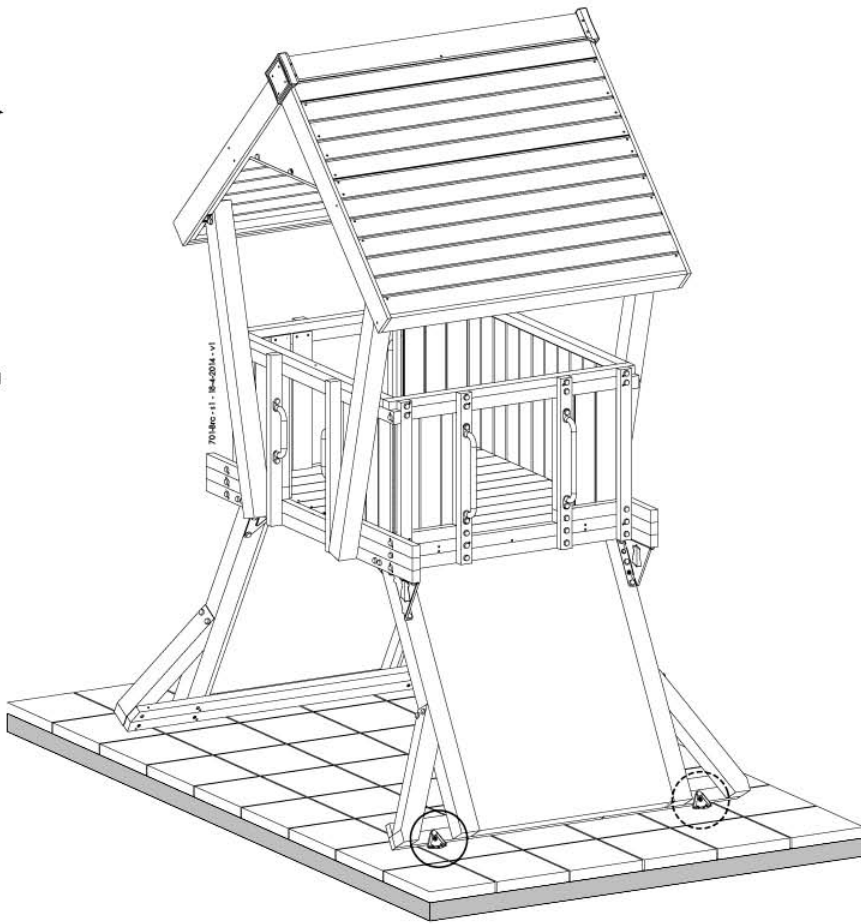
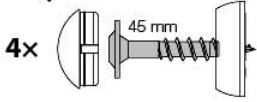

Q2




Q4



15.1a

Part 1



15

15.2



**Polyethylene
Slide**



15.3



**Stainless Steel
Slide**



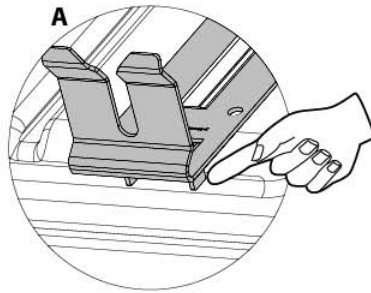
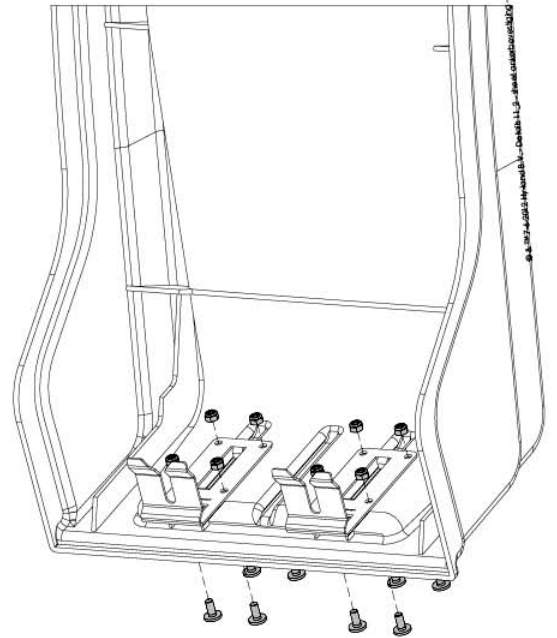
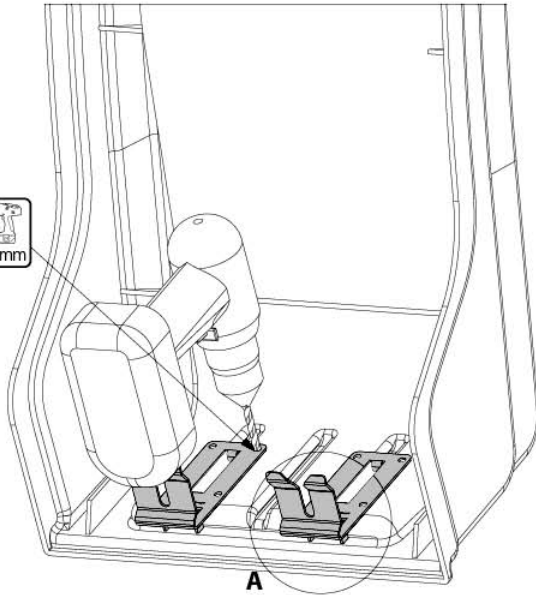
15.4

15.3a

8x 18 mm M6

2x 10_032_5013_225_01

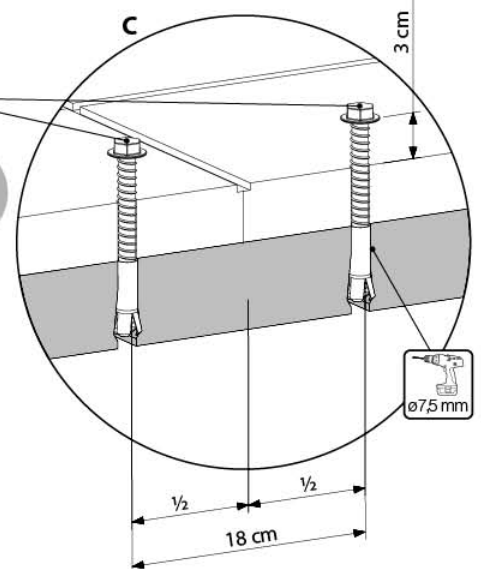
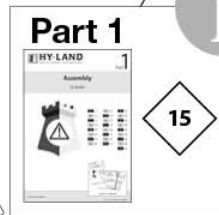
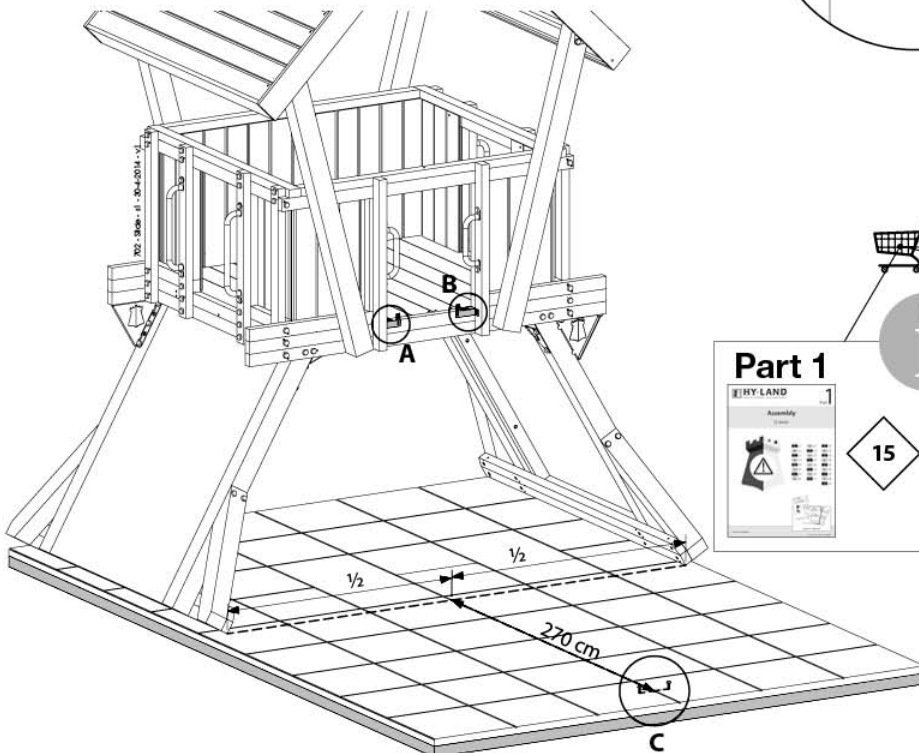
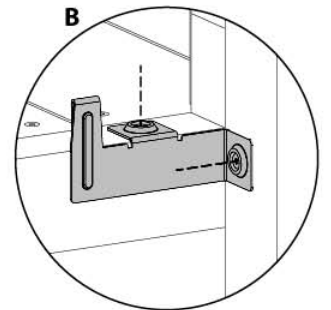
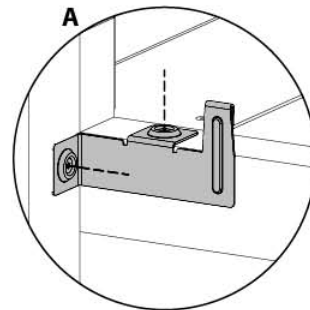
8x $\phi 7,5$ mm



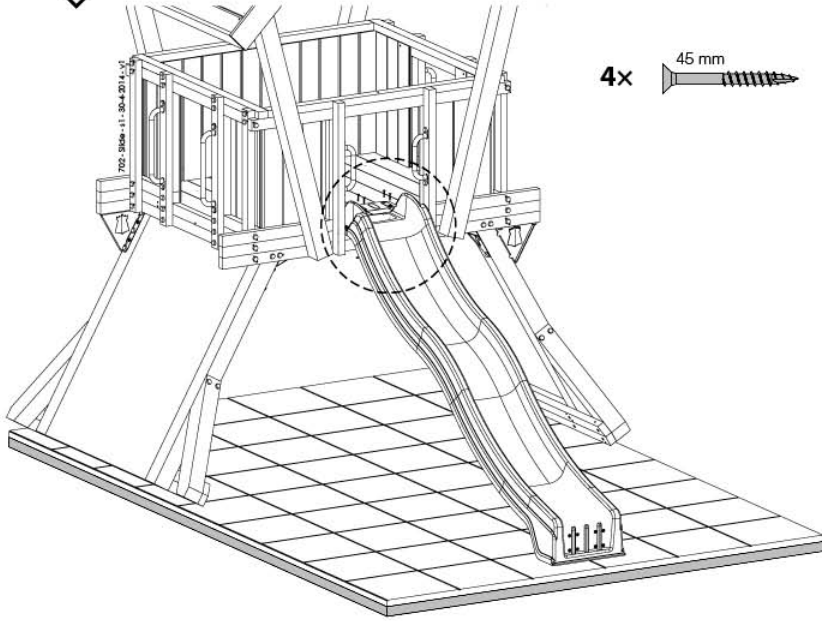
15.3b

4x 20 mm

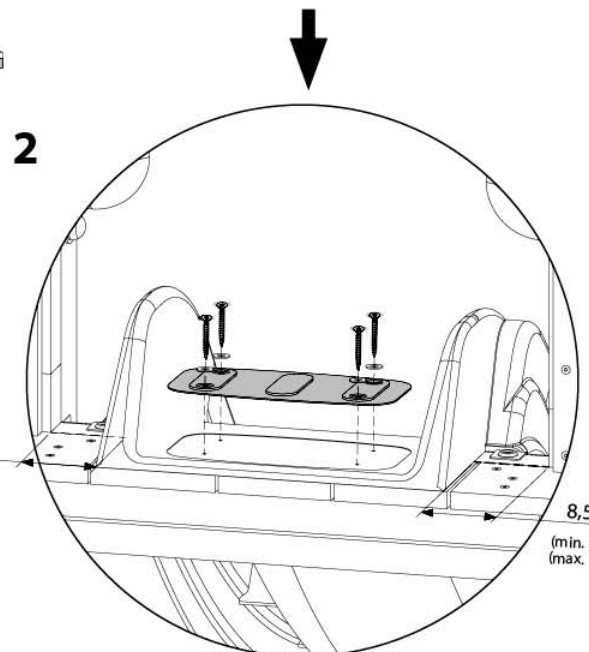
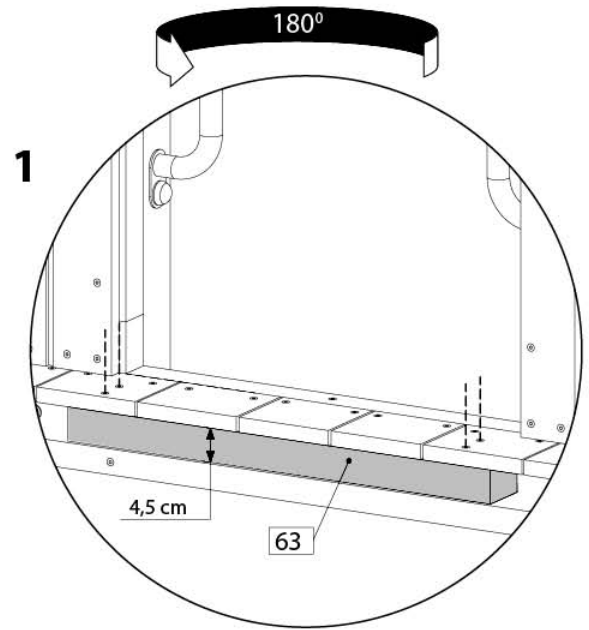
1x 10_030_5042_116_04 1x 10_030_5042_216_04



15.3c



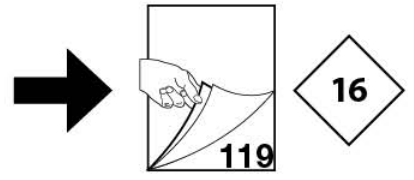
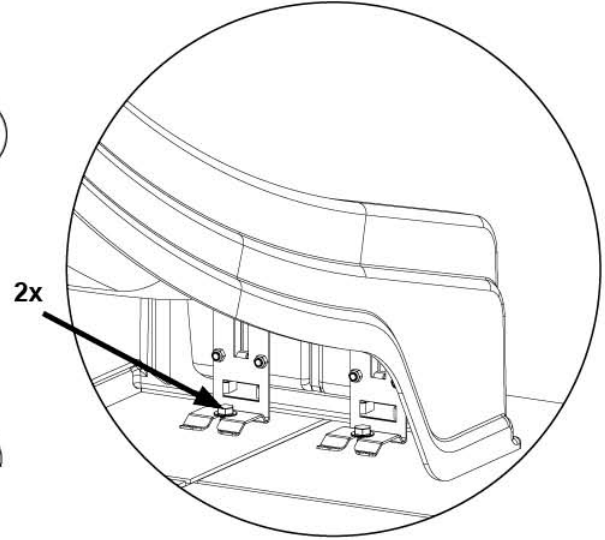
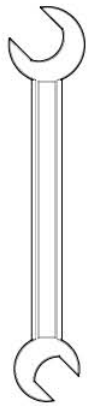
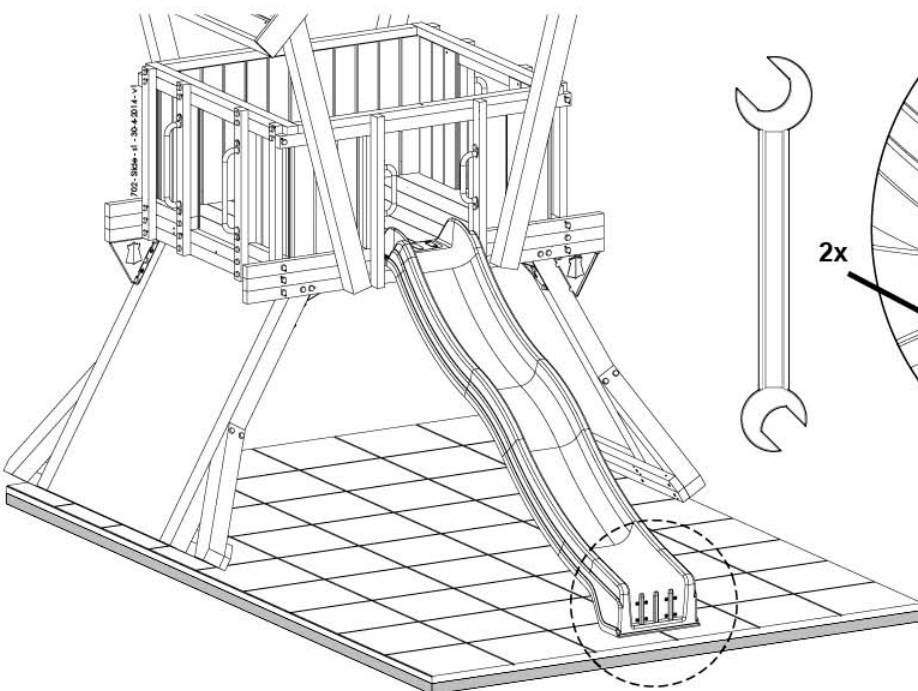
4x 45 mm



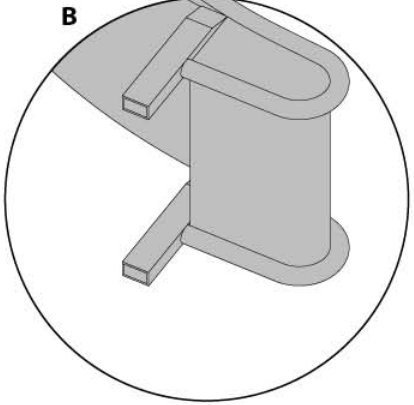
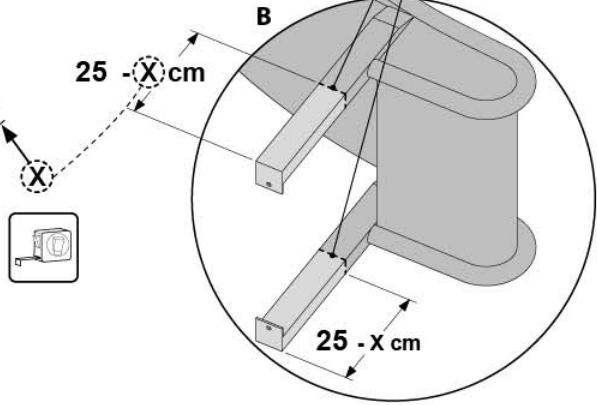
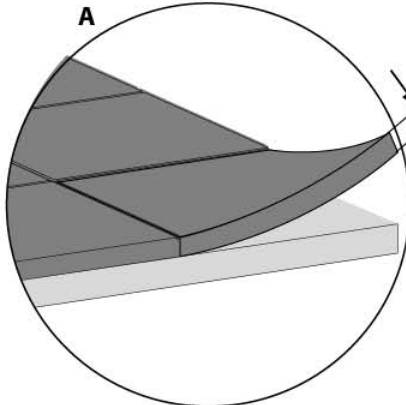
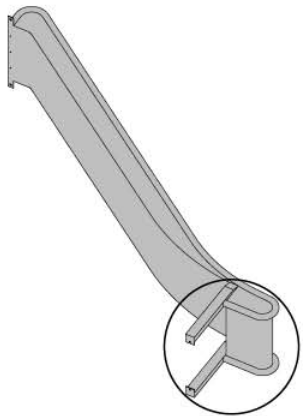
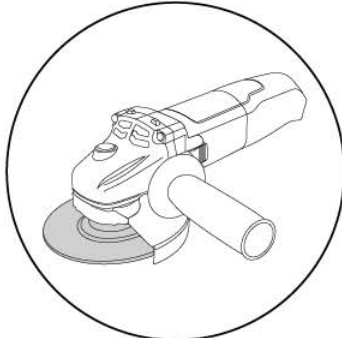
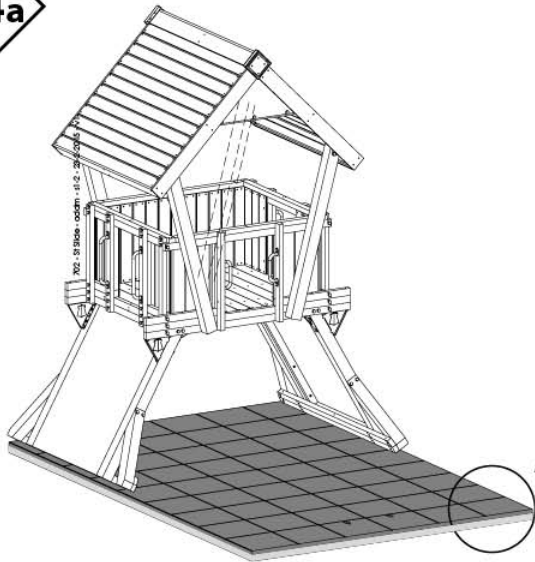
4x 45 mm $\varnothing 18$ mm

1x 10_026_5041_215_01

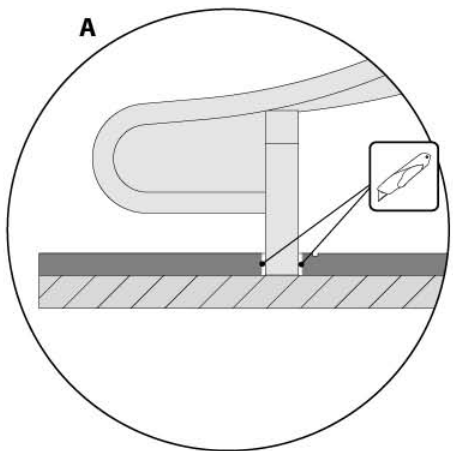
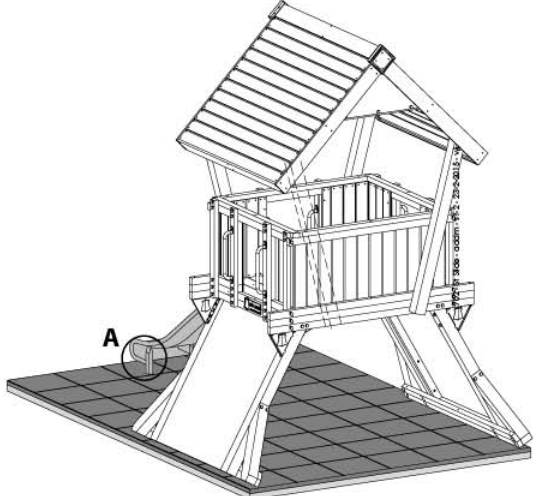
15.3d



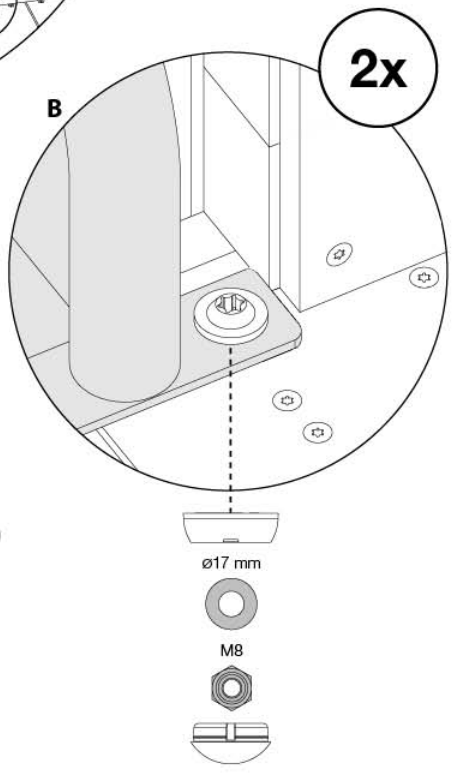
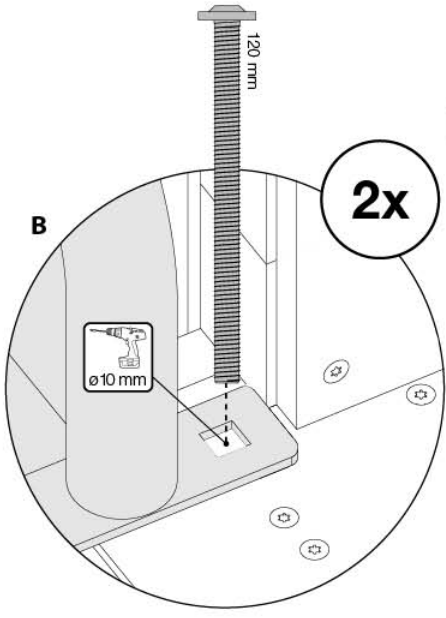
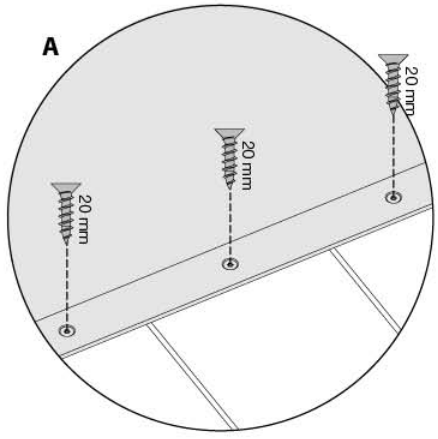
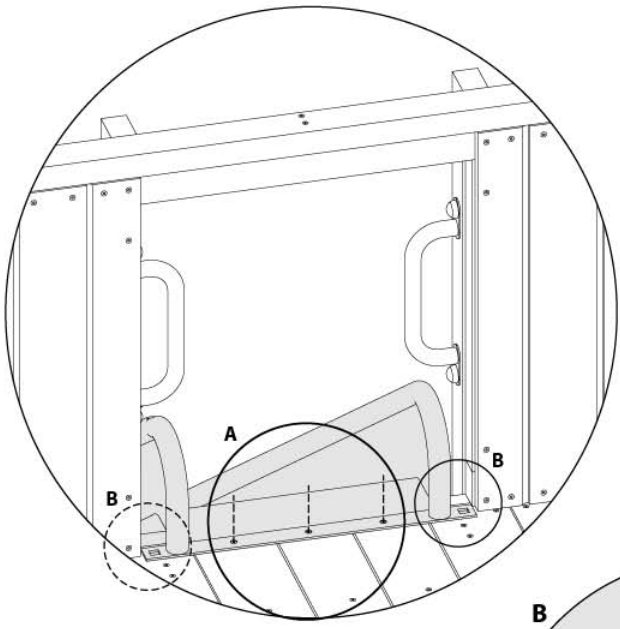
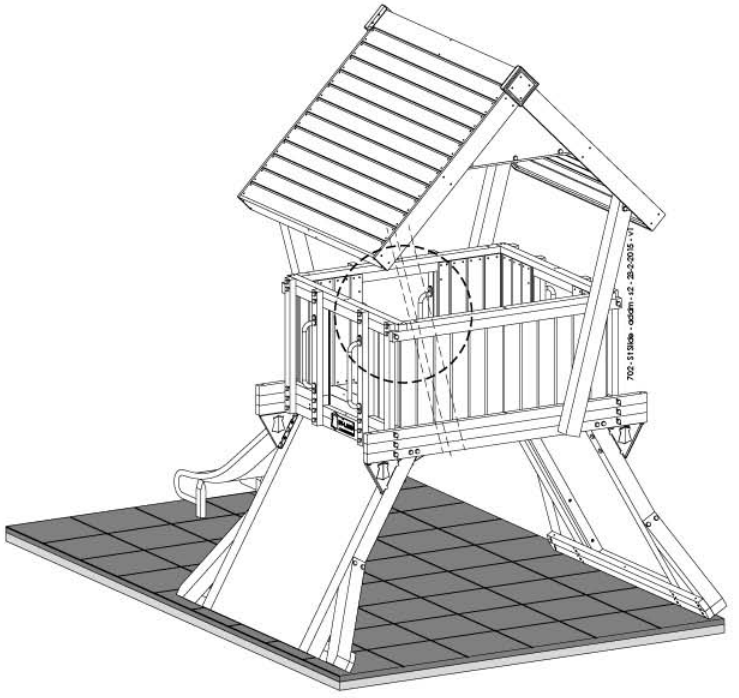
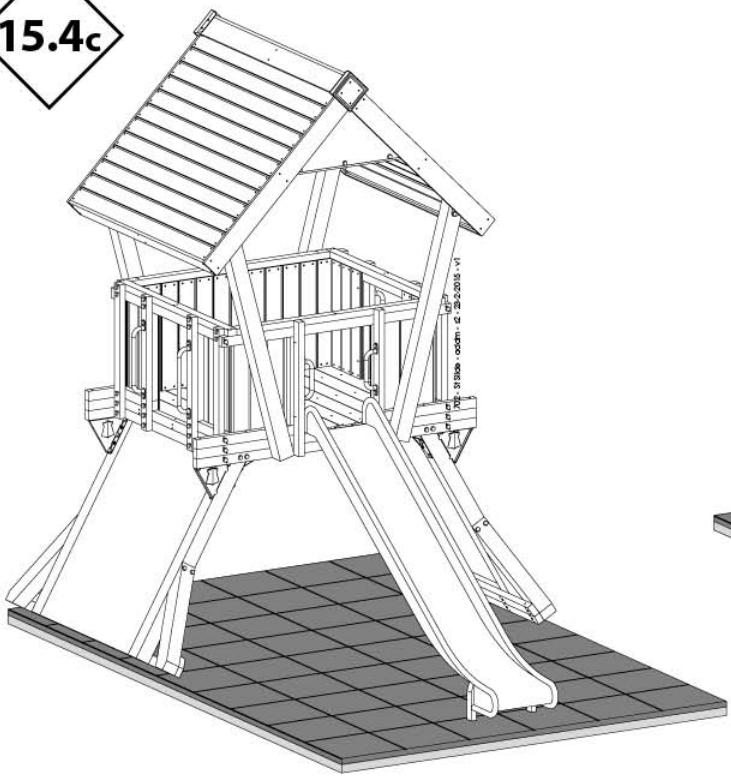
15.4a



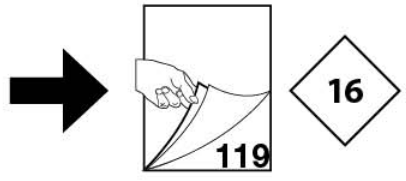
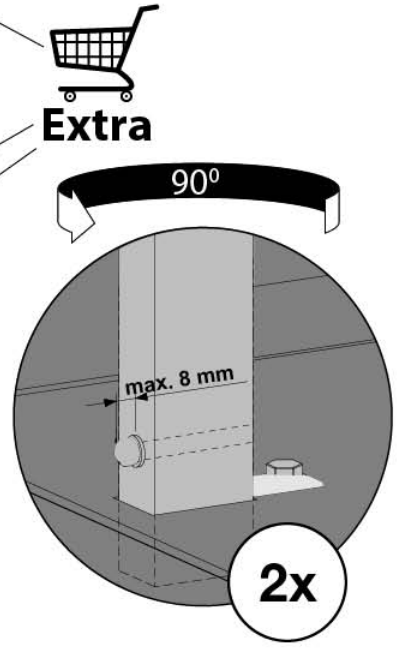
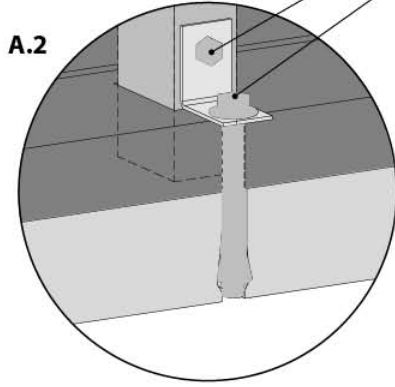
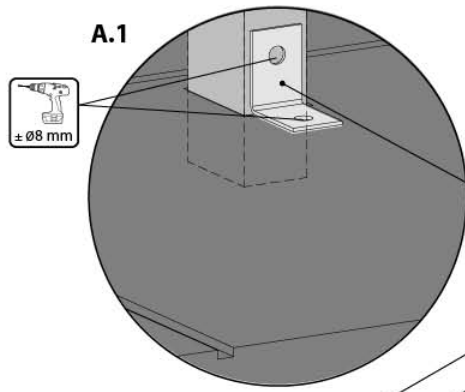
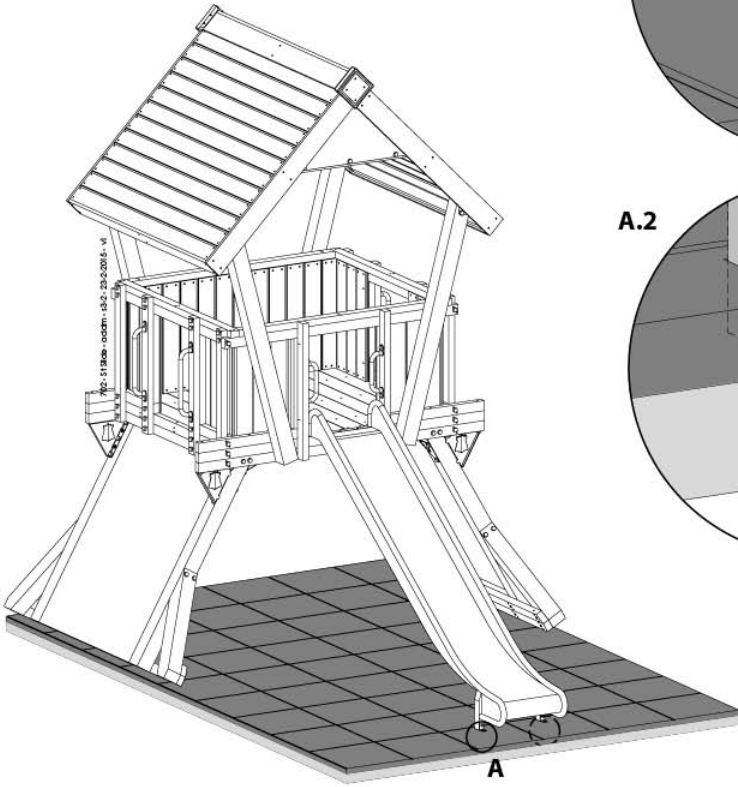
15.4b



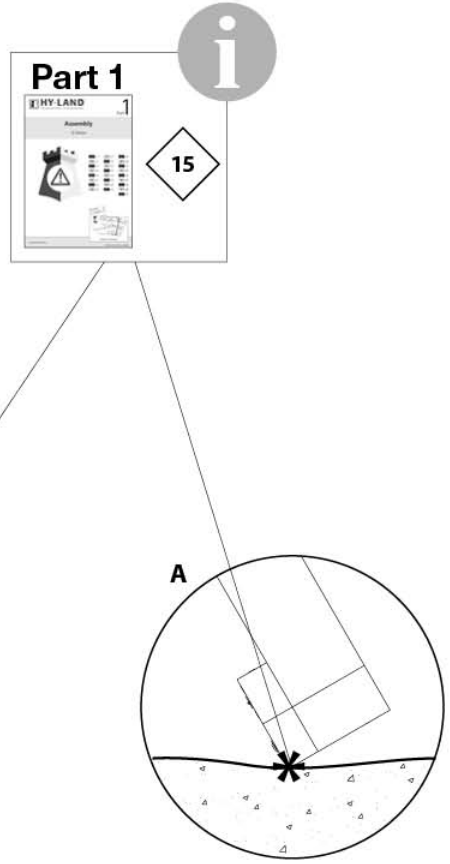
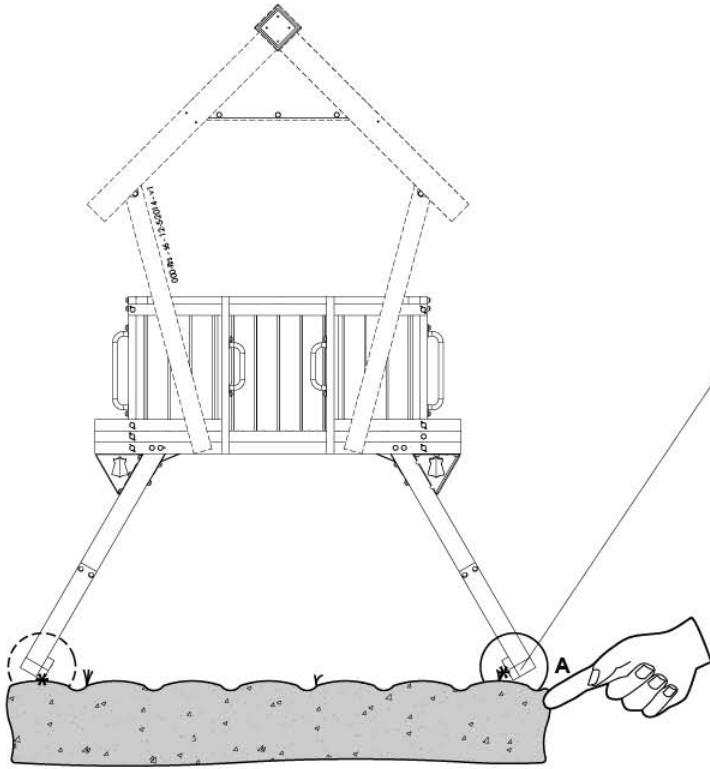
15.4c



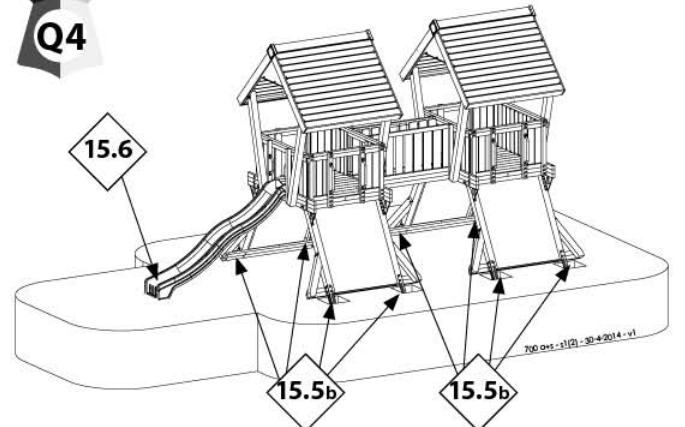
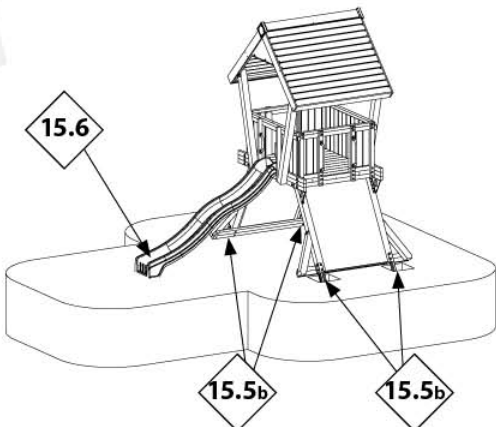
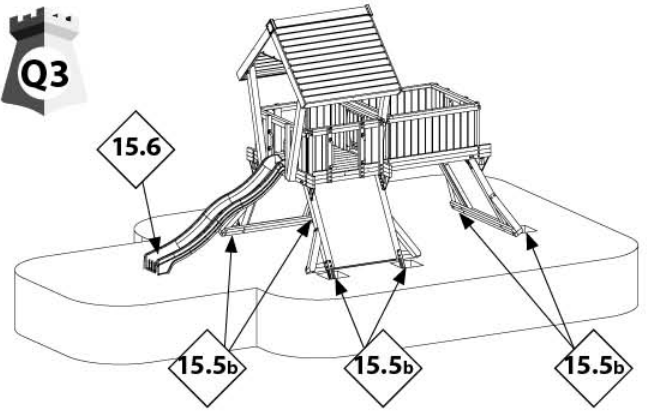
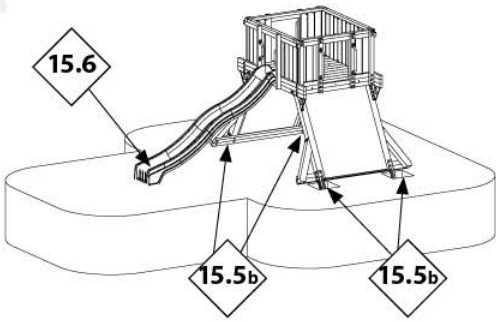
15.4d



15.5



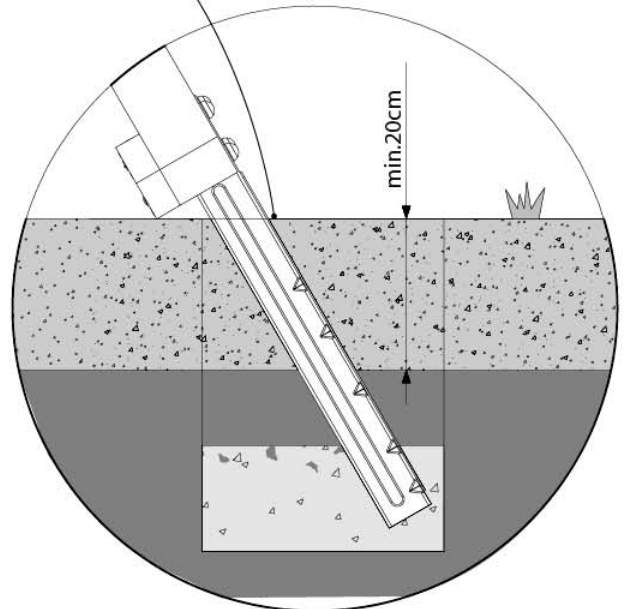
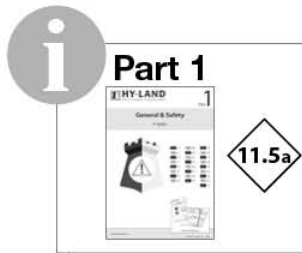
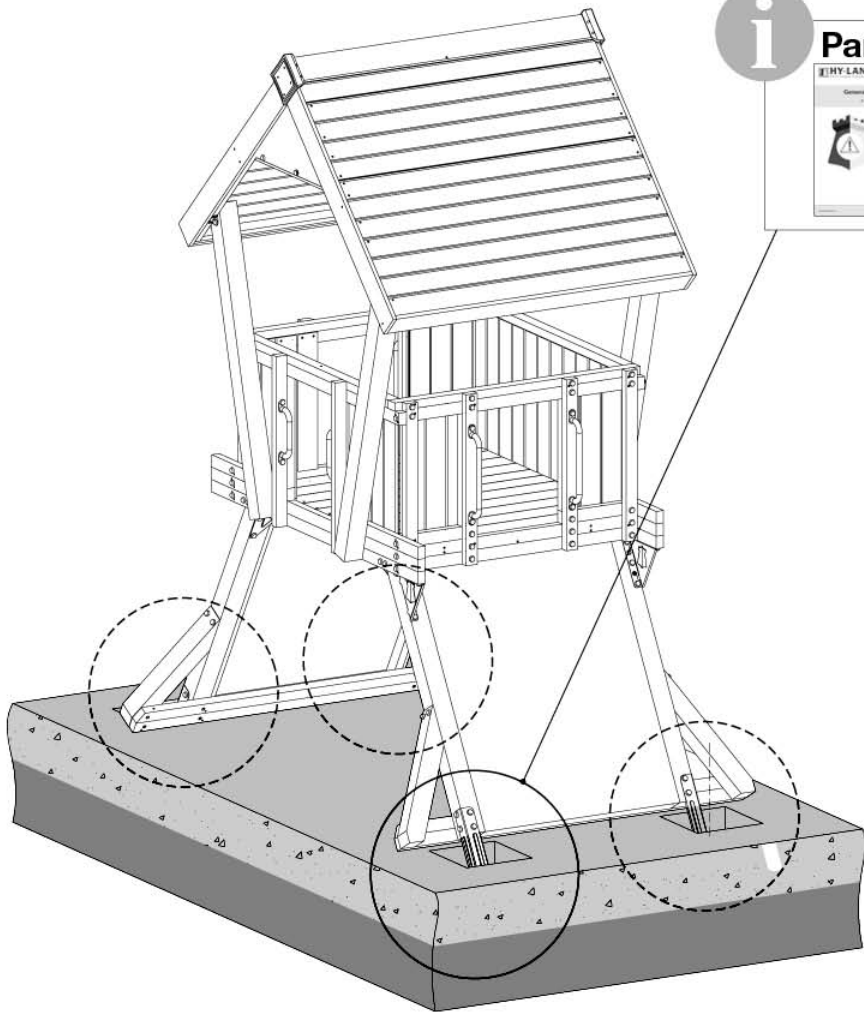
15.5a



15.5b



10_460_0619_103_26



15.6



**Polyethylene
Slide**



15.7



**Stainless Steel
Slide**

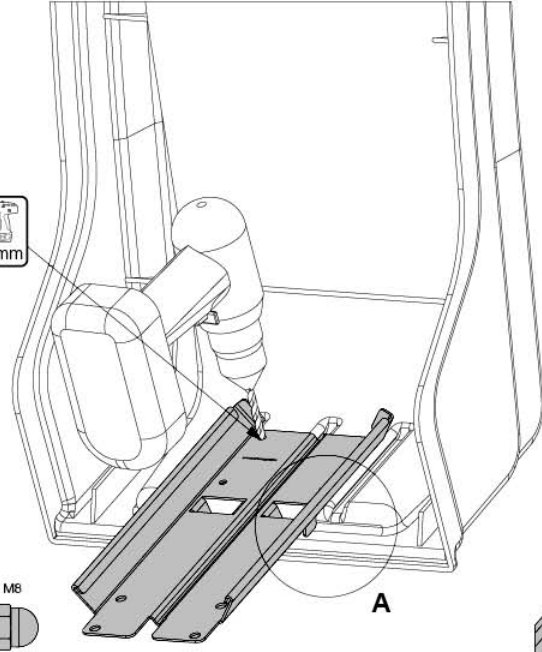
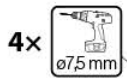


15.8

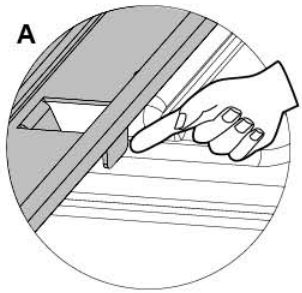
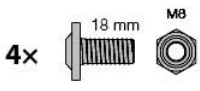
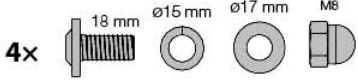
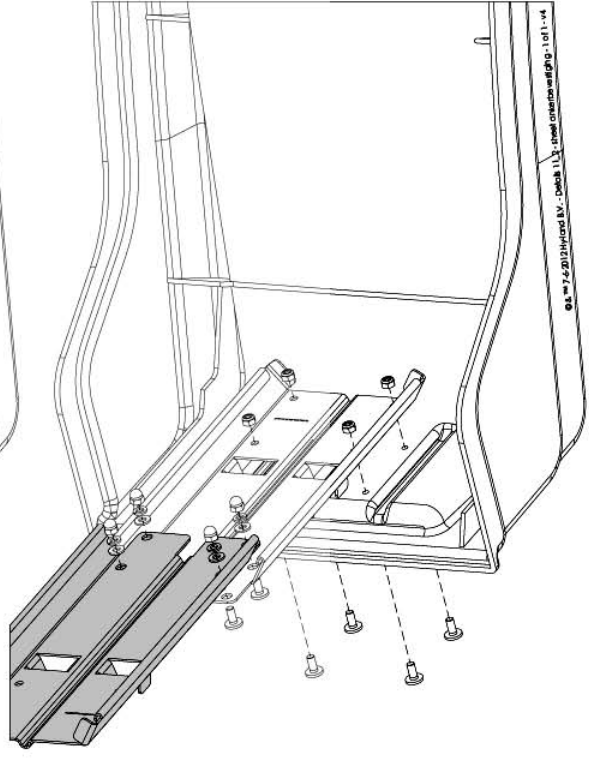
15.7a



10_032_5012_425_01

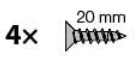


A



A

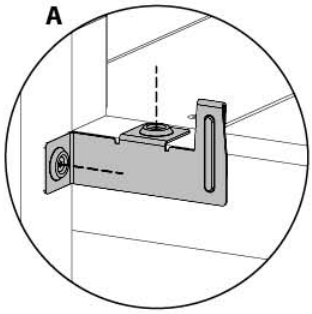
15.7b



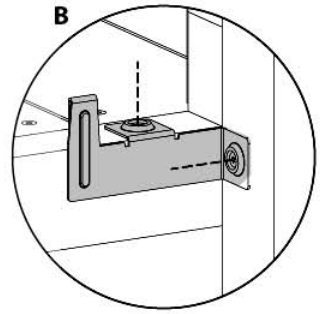
10_030_5042_116_04



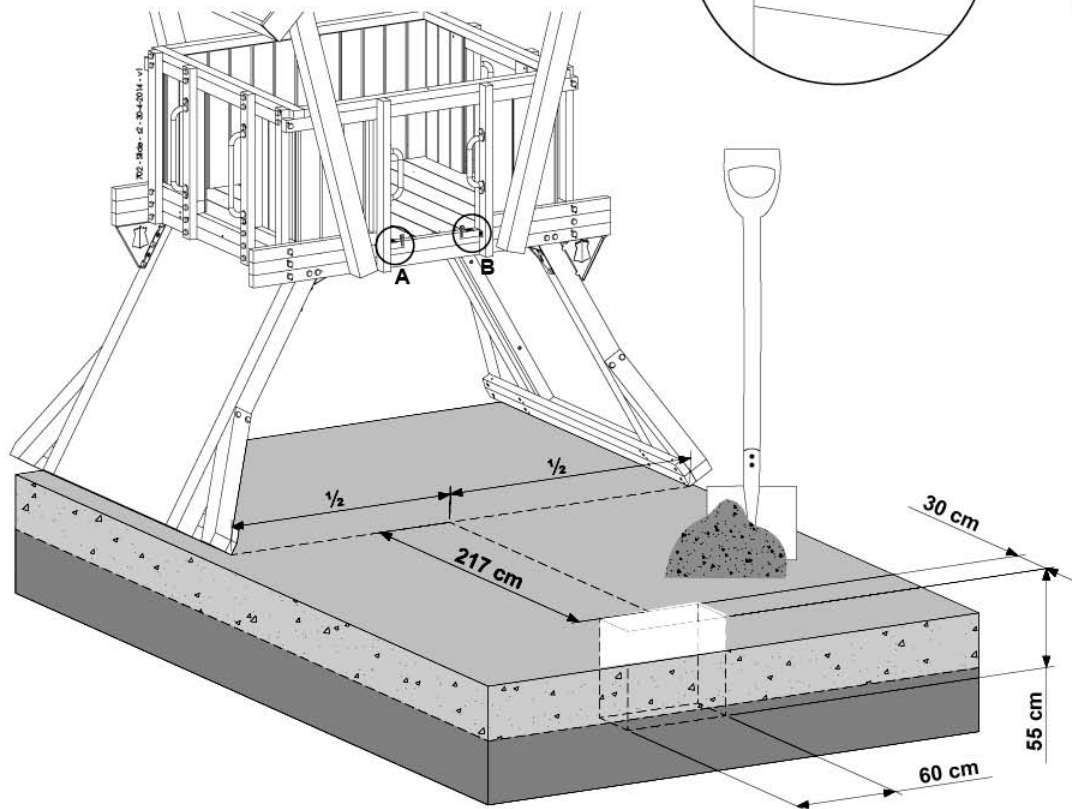
10_030_5042_216_04



A

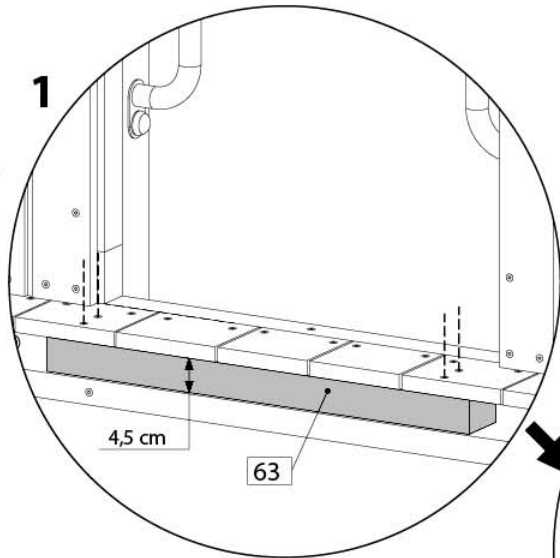


B



15.7c

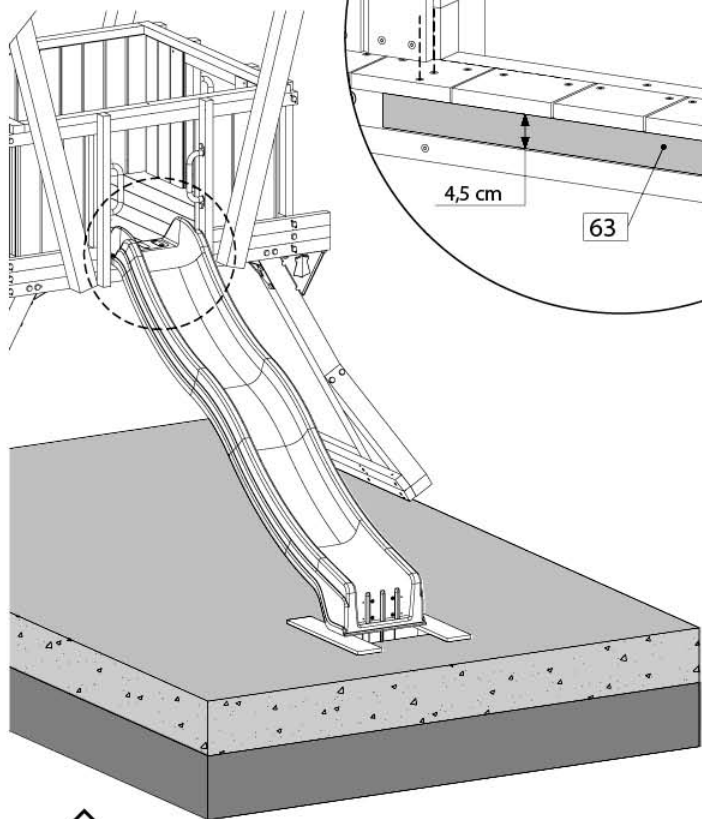
4x 45 mm



4x 45 mm $\varnothing 18$ mm



1x 10_026_5041_215_01



2

8,5 cm
(min. 7,5 cm)
(max. 9,5 cm)

8,5 cm
(min. 7,5 cm)
(max. 9,5 cm)

15.7d

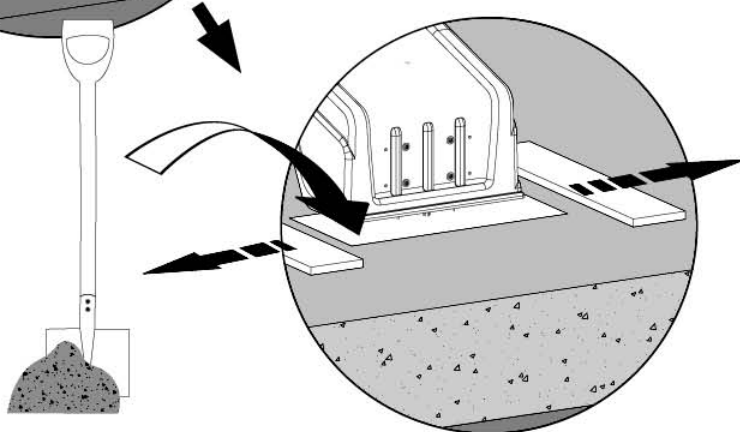
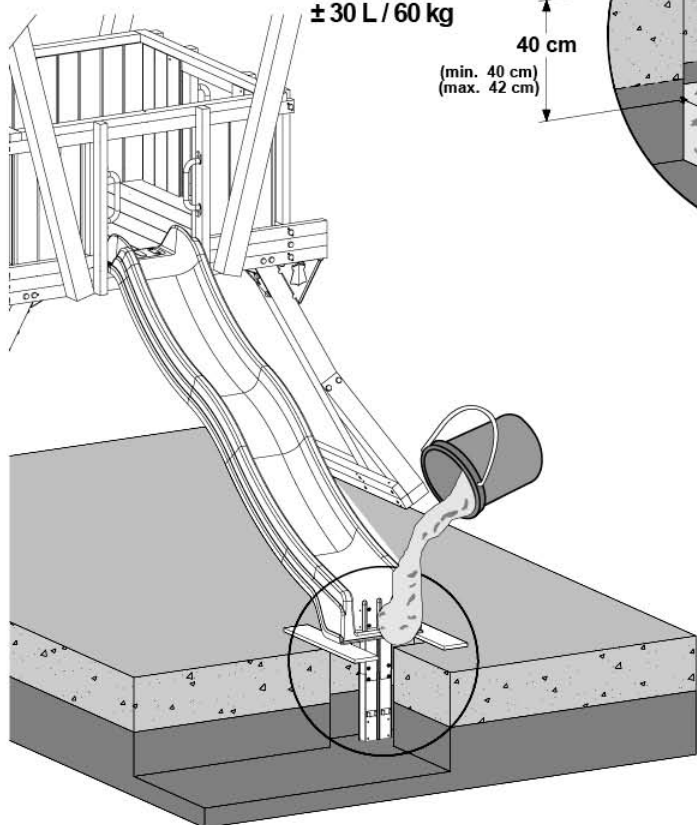


± 30 L / 60 kg

40 cm
(min. 40 cm)
(max. 42 cm)

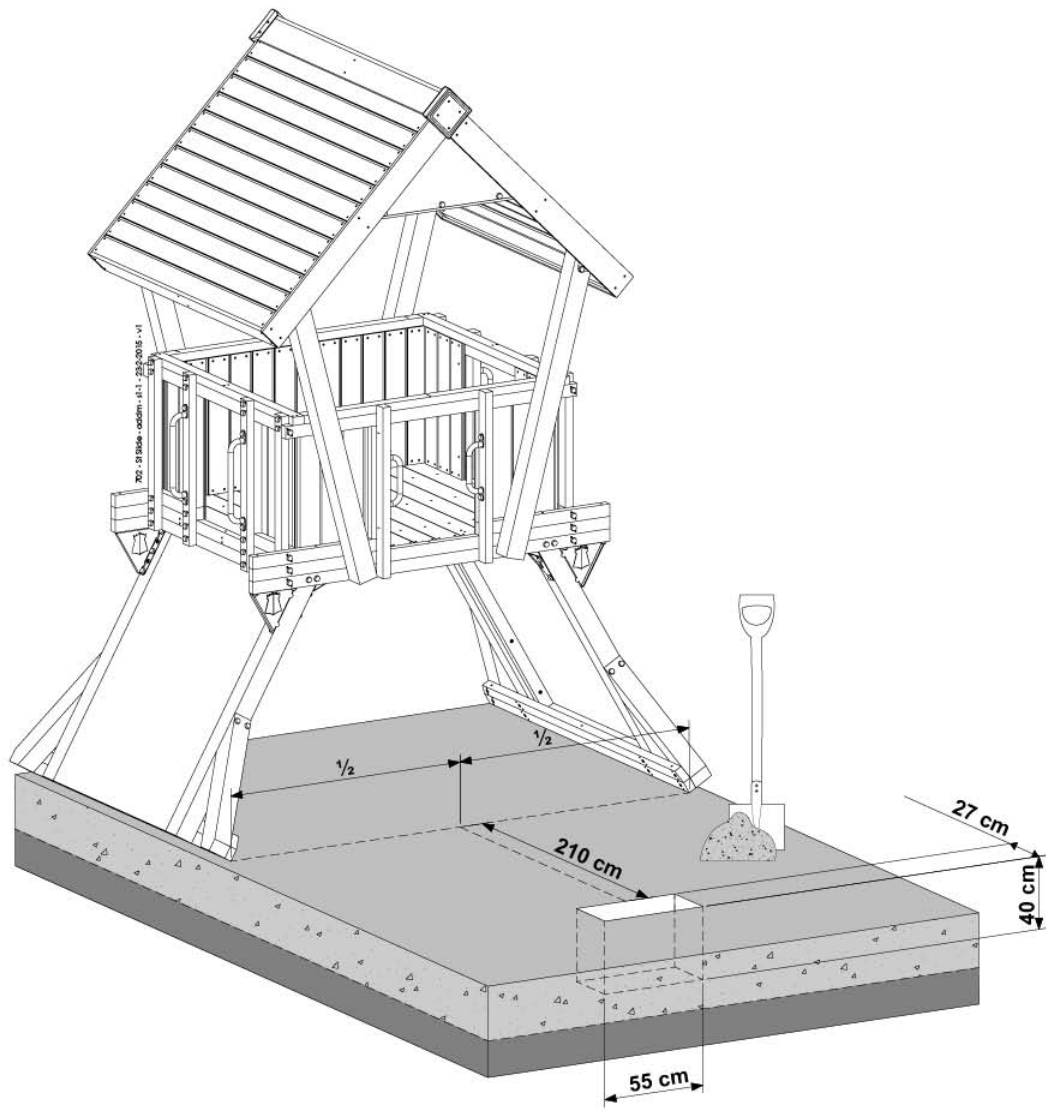


24^h

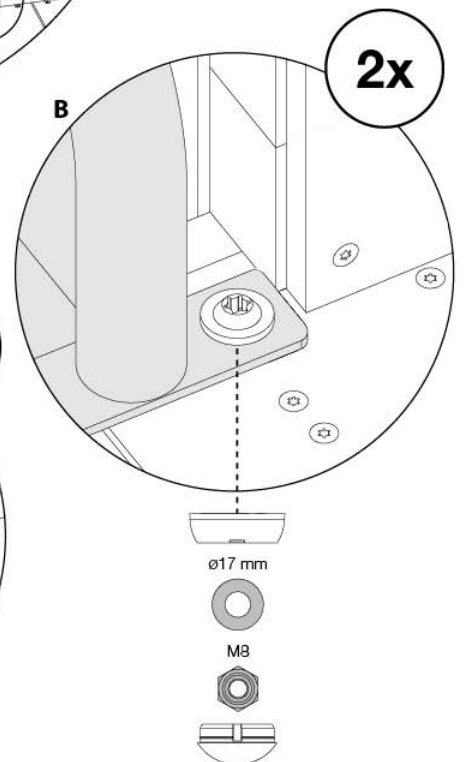
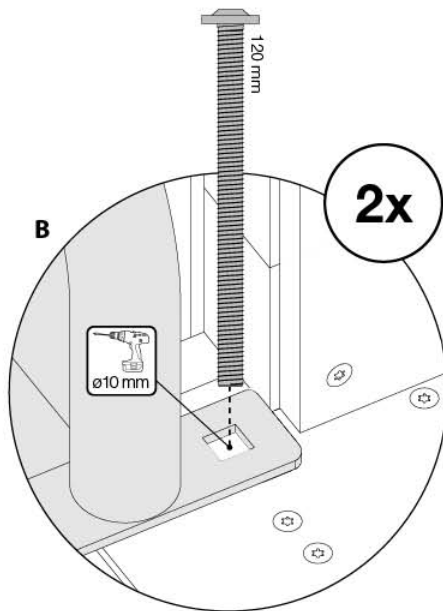
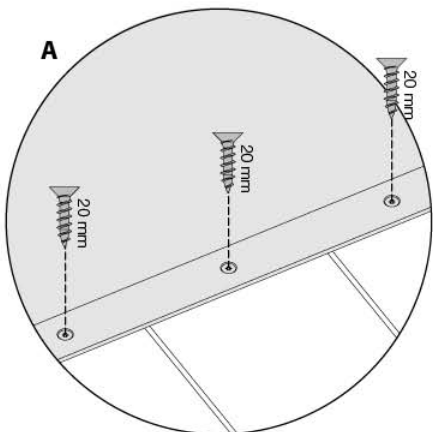
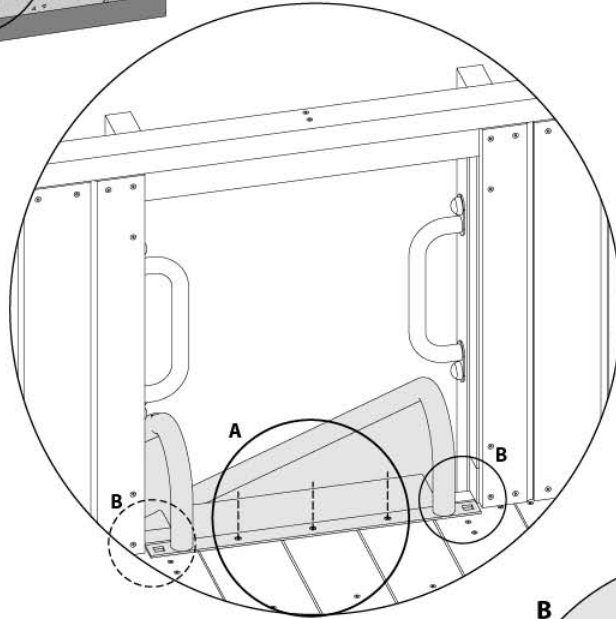
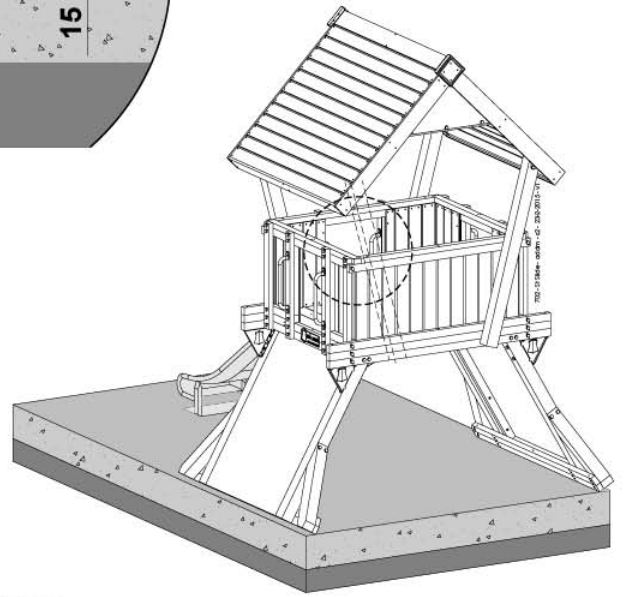
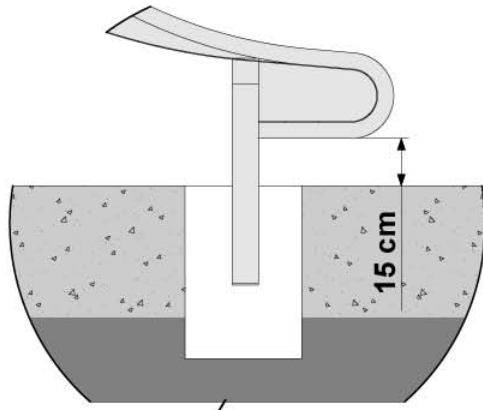
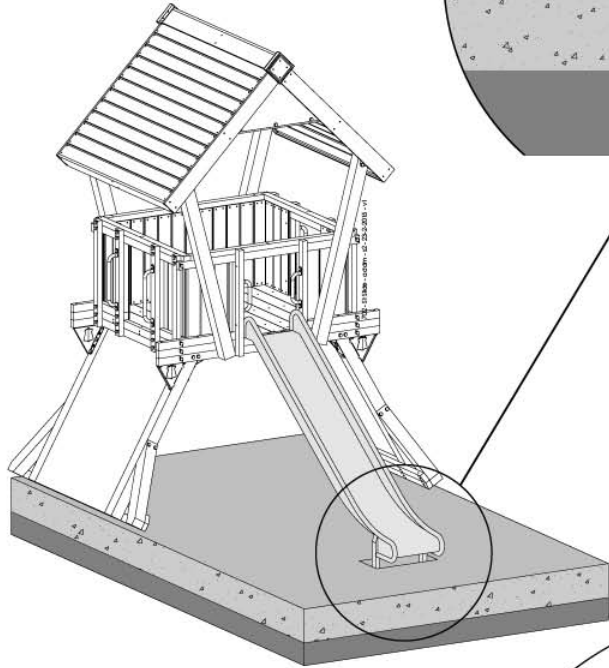


16

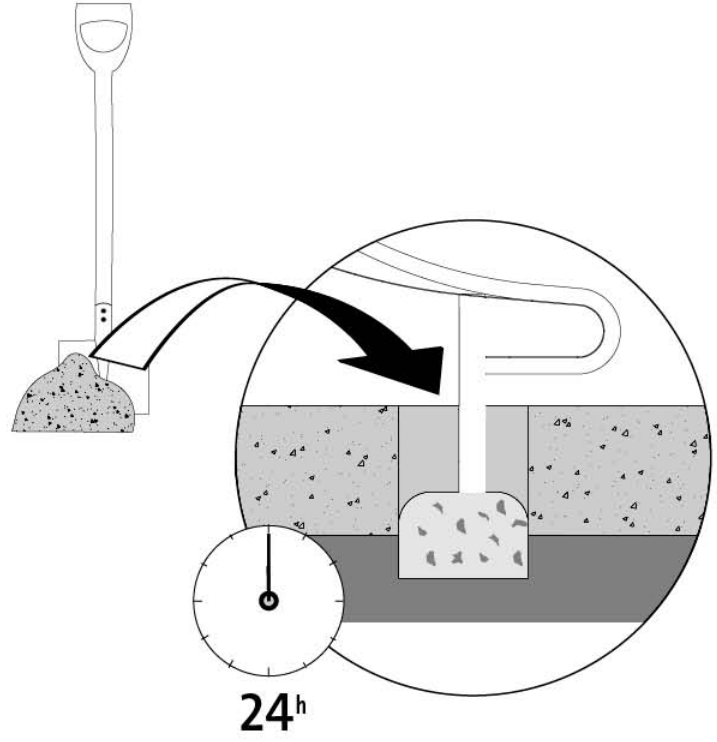
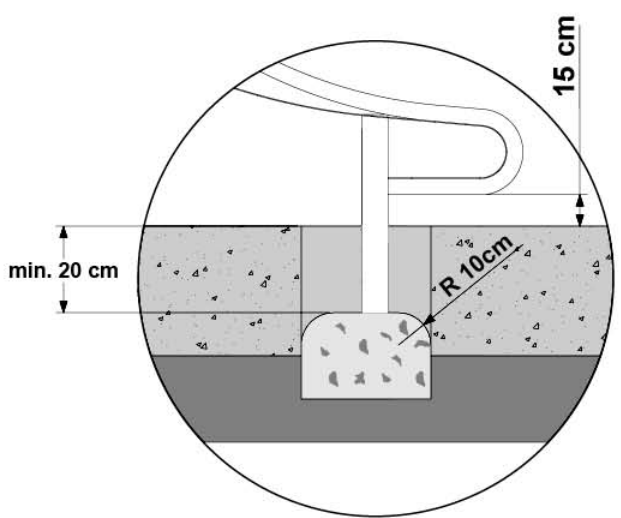
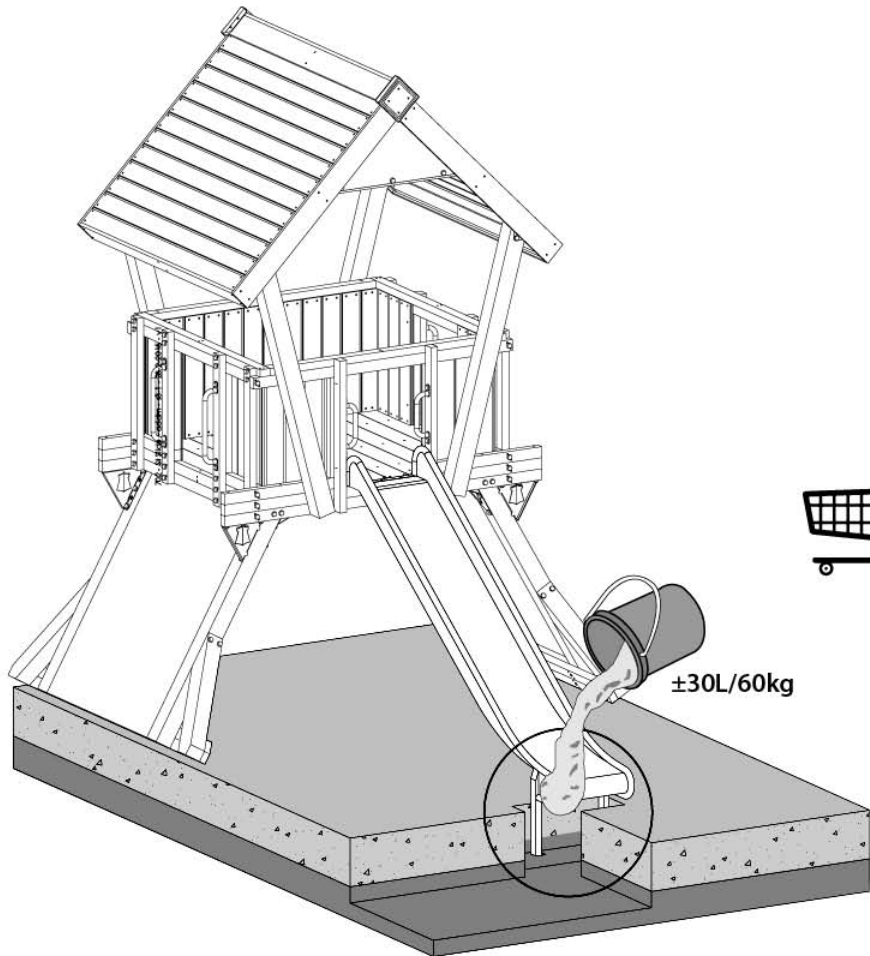
15.8a



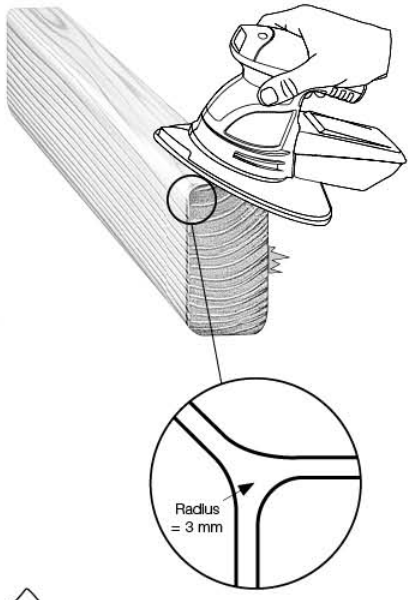
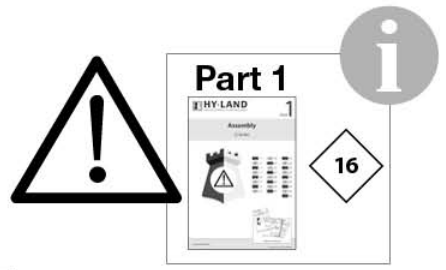
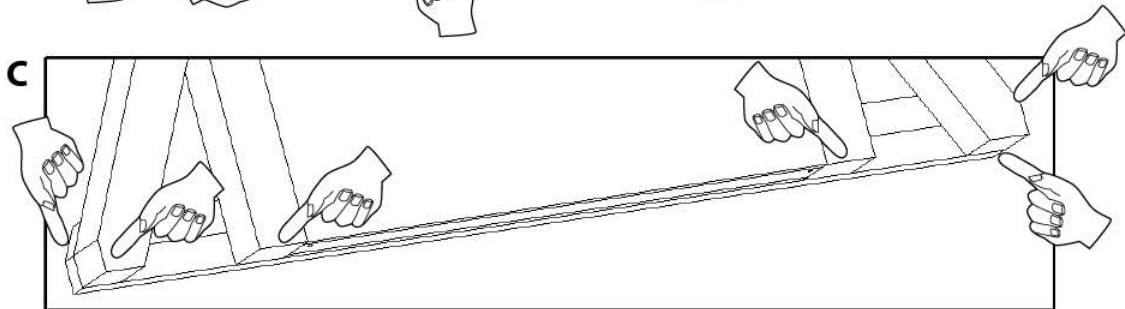
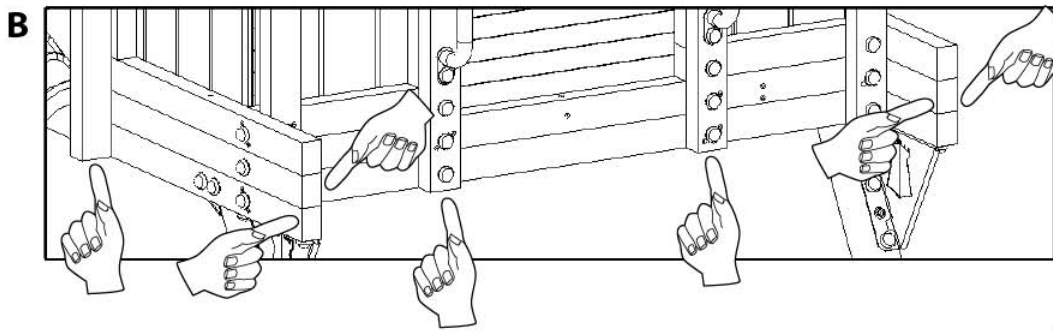
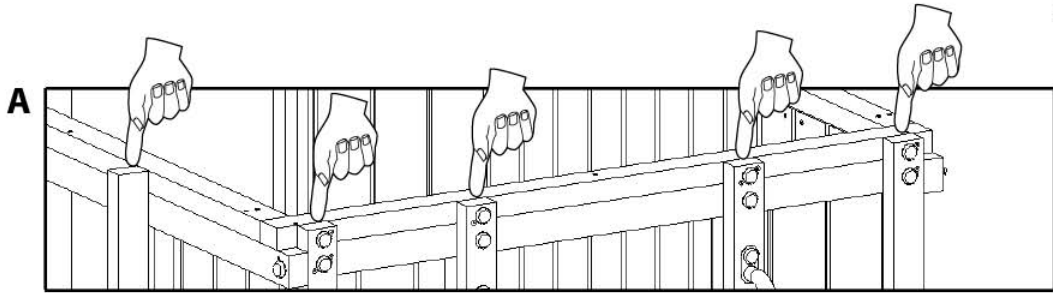
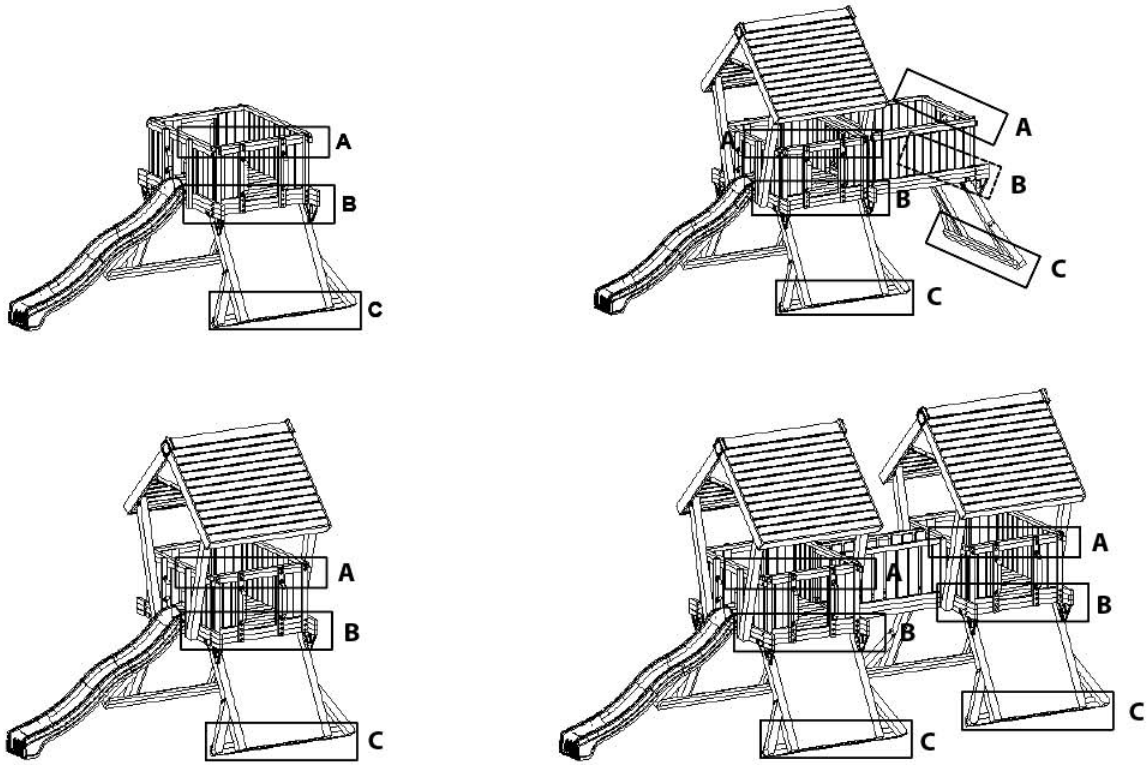
15.8b



15.8c

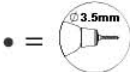
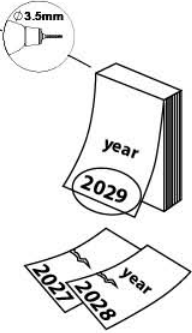


16.1



16.2a

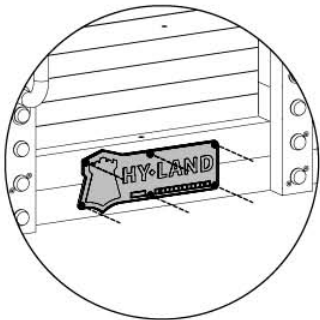
10_209_2071_103_24



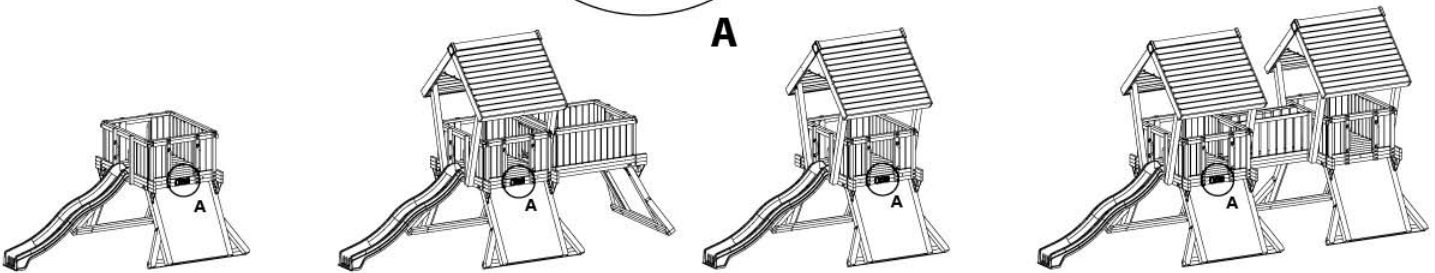
Example Project



16.2b

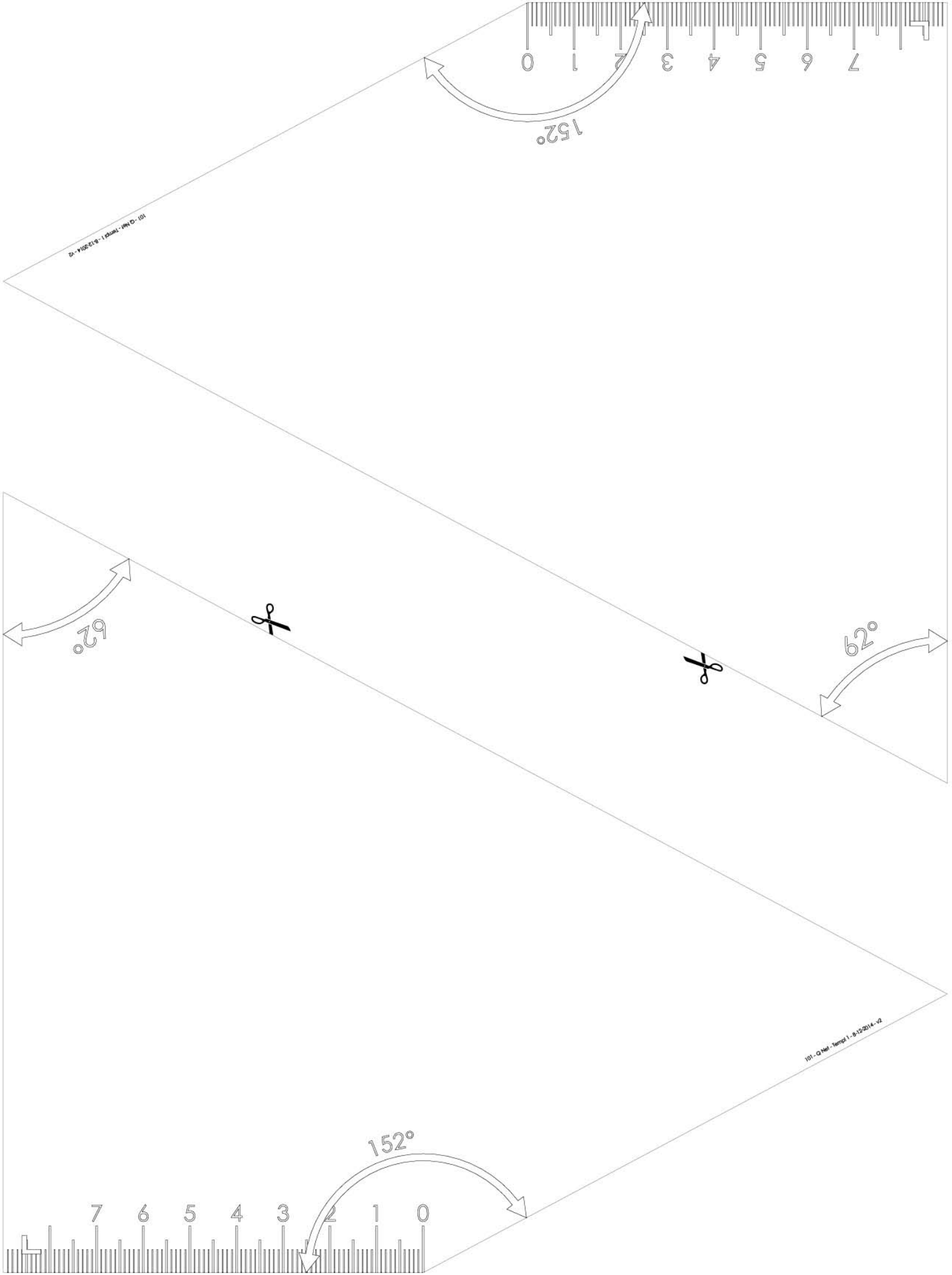


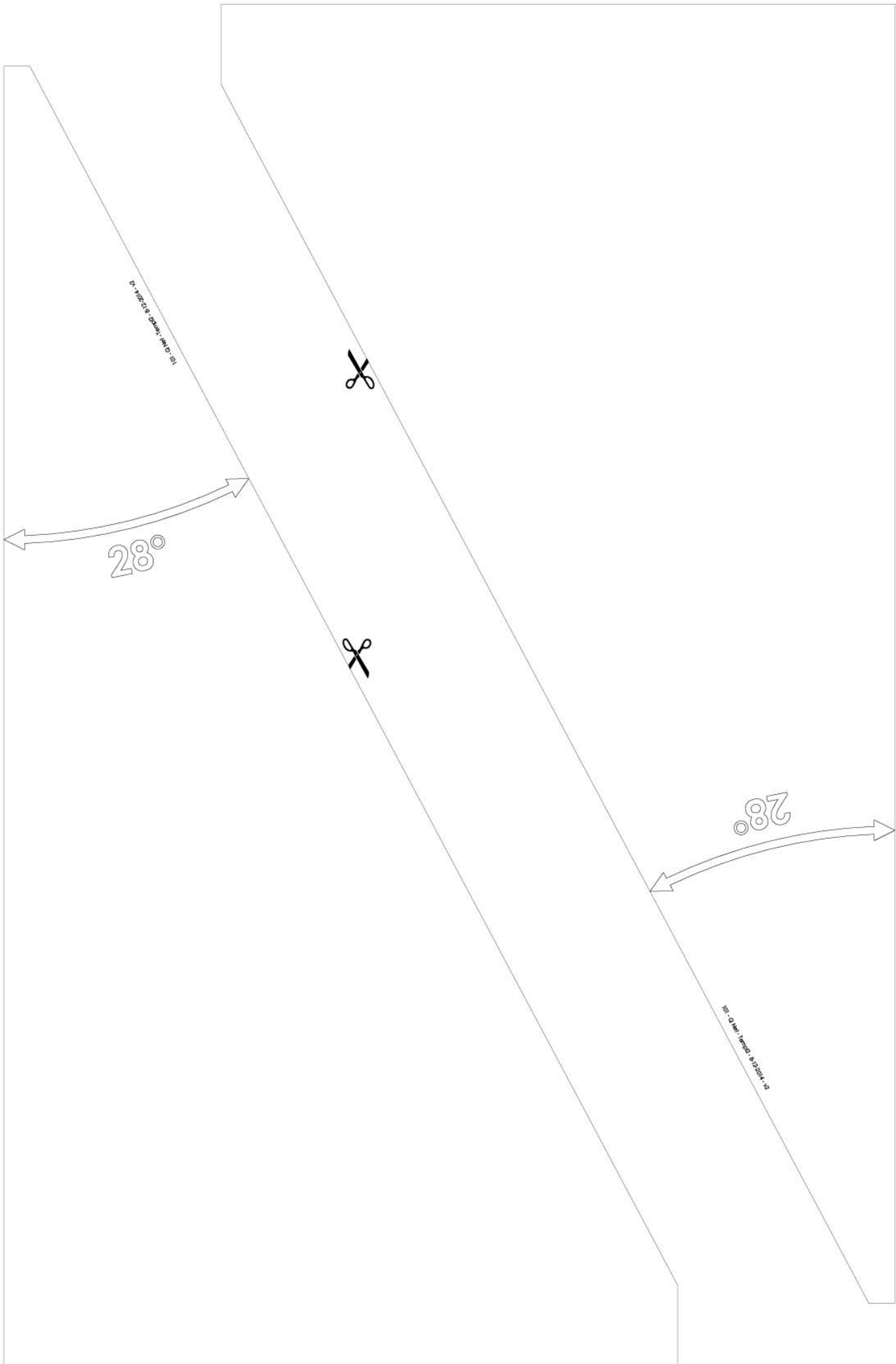
A



16.2c







Hy-land B.V.
Valschermkade 18
NL - 1059 CD Amsterdam
The Netherlands

Tel : +31 85 444 41 01
Email : info@hy-land.eu
URL : www.hy-land.eu

Chamber of Commerce :
NL 16.078.319

10_460_0019_105_26_0801_AS_Part_3_Q - 20221019

